



EN - English
SE - Svenska
DK - Danske
NO - Norsk
FI - Suomi

Read this Manual carefully before use

IMPORTANT SAFETY INSTRUCTIONS

For Household Use Only

EN When using electrical appliance, basic safety precautions should always be followed, including the following:

1. **WARNING!** To protect against electrical shock, do not submerge the appliance or allow the power cord to come into contact with water or any other liquid.
2. This appliance is not intended for use by persons (including children) with reduced physical, sensory or mental capabilities, or lack of experience and knowledge, unless they have been given supervision or instruction concerning use of the appliance by a person responsible for their safety.
3. DO NOT allow young children to operate the appliance or use as a toy. Close supervision is necessary when any appliance is used by or near children.
4. Never let the appliance operate unattended.
5. Remove the power cord from the electrical outlet when not in use, before assembling or disassembling parts and before cleaning. To unplug, grasp the plug and pull from the electrical outlet. Never pull from the power cord.
6. DO NOT abuse the power cord. Never carry the appliance by the power cord or yank it to disconnect from electrical outlet; instead grasp the plug and pull to disconnect.
7. DO NOT operate any appliance with a damaged cord or plug, or after the appliance malfunctions, has been dropped or damaged in any manner.
8. If the power cord is damaged, it must be replaced by the manufacturer, a certified service agent or similarly qualified persons in order to avoid a hazard.
9. DO NOT let the power cord hang over the edge of table or counter or touch hot surfaces such as the stove.
10. Always use appliance on a dry, level surface. Sinks, drain boards or uneven surfaces must be avoided.
11. Keep hands, hair, clothing, as well as utensils out of jar while processing to reduce the risk of severe injury to persons or damage to the appliance. A scraper may be used but only when the appliance is not running.
12. **CAUTION:** Blade assembly is sharp, handle with care. When handling the blade assembly, always hold by the base of the blade assembly.
13. Avoid contact with moving parts.
14. DO NOT attempt to sharpen blades.
15. DO NOT use the appliance if blade assembly is bent or damaged.
16. To reduce risk of injury, never place the blade assembly on the base without the proper attachment.
17. DO NOT operate this appliance on or near any hot surface (such as gas or electric burner or in a heated oven).
18. The use of attachments or accessories not recommended or sold by the manufacturer may cause fire, electric shock or personal injury.
19. DO NOT remove the jar from the motor base while the appliance is running.
20. To reduce the risk if injury, NEVER operate the appliance without the blade assembly in place; DO NOT try to defeat the interlock mechanism; make sure that the attachment is properly installed before operating the appliance.
21. DO NOT expose jars to extreme temperature changes.
22. **CAUTION:** Do not process hot foods or hot liquids.
23. DO NOT overfill.
24. DO NOT operate the appliance empty.

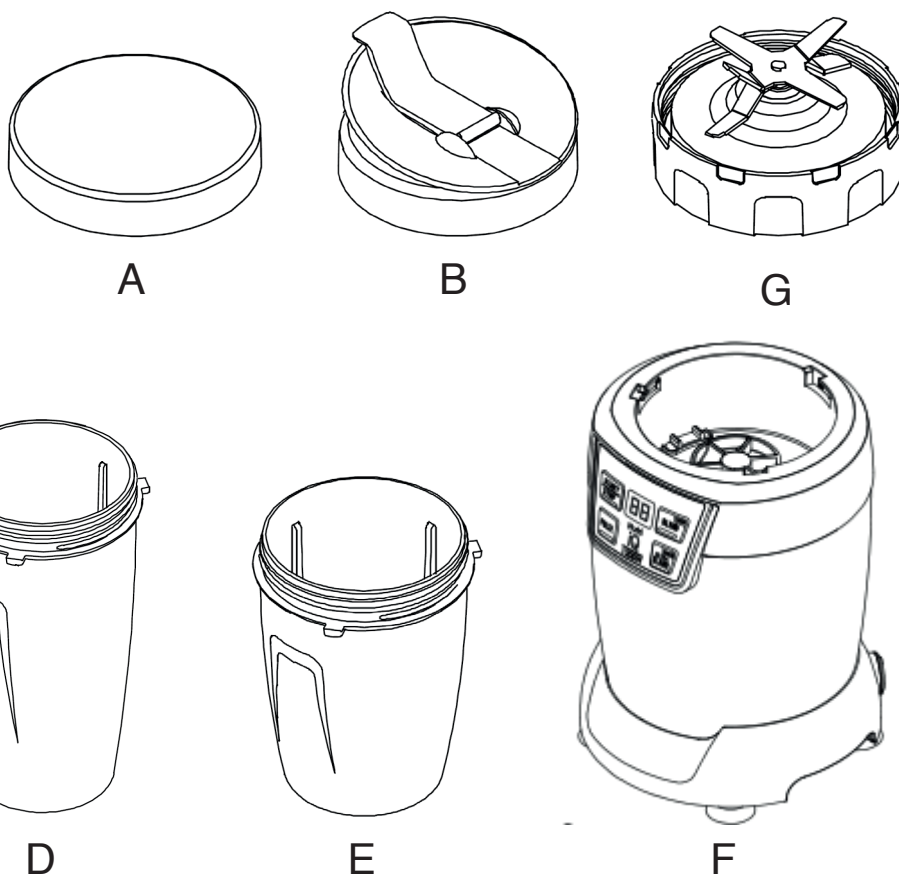
25. If the appliance overheats, a thermal switch will become activated and shut off the motor. To reset, unplug the appliance and let it cool down for approximately 30 minutes before using again.
26. This product is intended for household use only. Do not use this appliance for anything other than its intended use. Do not use outdoors.
27. Appliance accessories are not intended to be used in the microwave. Do not place the jar or the lid in the microwave as it may result in damage to the accessories.
28. Check the voltage indicated on the appliance corresponds to the local mains voltage before you connect the appliance.
29. Never immerse the motor unit in water or any other liquid, not rinse it under the tap. Use only a moist cloth to clean the motor unit.
30. Unplug the appliance immediately after use.
31. Keep the appliance out of the reach of children.
32. Always unplug the appliance before you start cleaning the appliance.
33. To avoid occurring danger, please assemble product correctly.
34. Make sure the blade is securely fastened to the accessories before you assemble them onto the motor unit.
35. Do not attempt to repair or disassemble the appliance.
36. **WARNING:** Extension cords are not recommended for use with this product.
37. Save these instructions for future use.

TECHNICAL SPECIFICATIONS

Voltage:	220~240V 50/60Hz
Power:	1200W
Jar Capacity:	0.5L, 0.7L, 1.0L

GETTING TO KNOW YOUR APPLIANCE

- A. Seal Lid
- B. Sip & Seal Lid
- C. 1.0L Jar
- D. 0.7L Jar
- E. 0.5L Jar
- F. Motor Base
- G. Blade Assembly



NOTE: Attachments are interchangeable.

The blender is a high powered innovative tool with a compact design and outstanding performance. It is perfect for ice crushing, chopping, blending and nutrient and vitamin extracting. Blend and go with the convenient Sip & Seal lids, create delicious drinks to get you out the door quickly! Best results are achieved when you Pulse.

FEATURES

User Interface:

- **START/STOP:** Press once to start continuous running, press again to stop. Timer counts up by seconds, up to 60 seconds.
- **PULSE:** Runs only while pressed down. Short presses make short pulses. Timer counts up by seconds as long as pressed down.
- **NUTRI-iQ BLEND:** Pulses and blends fresh or softer ingredients to create consistent results. Timer counts down.
- **NUTRI-iQ ULTRA BLEND:** Pulses and blends frozen, fibrous or hard ingredients to create smooth consistent results. Timer counts down.

BEFORE FIRST USE

Before using your appliance for the first time, it is important that you read and follow the instructions in this use and care booklet, even if you feel you are familiar with this type of appliance.

1. This appliance has been designed to operate from a standard domestic power outlet. It is not intended for industrial or commercial use.
2. Carefully unpack the appliance. Remove all packing materials and either discard or retain for future using.
3. Ensure that the voltage of your electricity supply is the same as that indicated on the rating label of the appliance.
4. Remove the plastic accessories and wash them in warm soapy water. Dry thoroughly and replace. Wipe over the exterior of the Motor Base with a damp sponge or cloth. Do not use abrasive cleaners.

IMPORTANT: Attachments are interchangeable.

CAUTION: Blades are sharp! Use extreme caution when handling the blade assemblies. Always hold them by the base of the blade assembly.

IMPORTANT: Never run the appliance empty.

CAUTION: Never attempt to remove the jar while the appliance is still running.

WARNING: Never leave the appliance unattended while in use.

5. Remove all packaging material and labels from the appliance.
6. Wash the lids, jars and attachments in warm, soapy water with a soft cloth. Use caution when washing the blade assemblies as the blades are very sharp. Rinse and dry thoroughly. Jars, lids and attachments are all dishwasher safe. Ensure that the attachments are removed from the jars before placing in the dishwasher.

Assembly

Removal

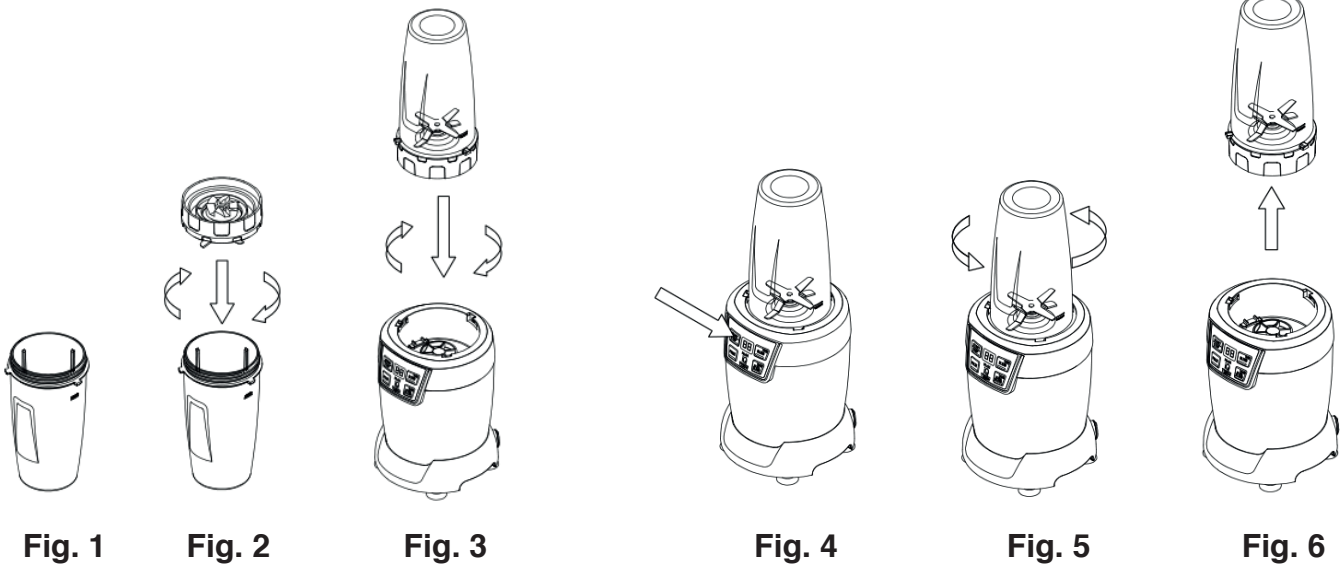


Fig. 1

Fig. 2

Fig. 3

Fig. 4

Fig. 5

Fig. 6

IMPORTANT: Place the motor base on a clean, dry, level surface such as a counter or table top.

1. Make sure that the motor base is plugged in for use. No lights will turn on.
2. Add ingredients to the jar.

NOTE: Do not overfill! To avoid spilling, do not add ingredients past the “Max” fill line.

3. Place the blade onto the jar and twist it on tightly until you have a good seal. (Fig. 1)
4. Turn the jar upside down and place it onto the motor base, aligning the tabs on the jar with the motor base, aligning the tabs on the jar with the motor base. Turn it clockwise, until you feel it click into place. The unit is ready for use. (Fig. 2)
5. Press one of the buttons to activate. (Fig.3)

NOTE: When using the Nutri-iQ presets, the unit will operate using pulses, pauses and continuous runs. The pauses allow the contents of the cup to settle. When the timer reaches “0”, it will stop by itself.

6. To remove the jar, ensure that the motor has stopped running. Then turn the jar counter clockwise (Fig. 4) and pull straight up to remove. (Fig. 5)
7. Turn the jar upright and remove the blade assembly by twisting the blade assembly counter clockwise. Be sure to store the Blade Assembly attached to an empty jar when not in use.
8. Twist the Sip & Seal lid onto the jar to enjoy your drink on the go. Press flip top cap firmly into the opening to get the best seal. The flip top cap locks open when pressed backward.
9. Make sure that the motor base is unplugged when not in use.
10. To remove the motor base unit, tip the unit forward from the rear to easily disengage the suction cups.

SAFETY FEATURES

Built-in safety lock

The blender has a built-in safety lock feature. This ensures that you can only switch on the appliance while the cup and the blade subassembly are assembled on the motor base securely. If the appliance is correctly assembled, the built-in safety lock will be unlocked.

IMPORTANT: In the base of each blade's collar, there is a silicone gasket seal that creates an airtight fit with the jars. After dishwashing and before each use, always check to make sure the gasket is properly in place, as the heat from some dishwashers may cause the gasket to become loose.

WARNING: Do not operate the motor continuously for more than 60 seconds at a time. Allow the motor to rest for 3 minutes before continuing.

NOTICE: If the blade is not running smoothly, stop the product and add some liquid, or reduce the ingredients in the cup.

NOTE: To prevent product overheating, dry ingredients must not be processed for more than 30 seconds at a time.

SUGGESTED USES

PURPOSE	SUGGESTED JAR	TYPE OF FOOD
Chopping	0.5L 0.7L	Nuts Chocolate
Grating	0.5L	Cheese Bread Crumbs
Mixing	0.5L 0.7L	Batters Dips
Sauces	0.7L 1.0L	Vinaigrettes Salad Dressings Simple Sauces
Frozen Blending	0.5L 0.7L 1.0L	Ice Frozen Fruit Ice Cream
Nutrient Juices/Smoothies	0.5L 0.7L 1.0L	Fruits Vegetables Leafy Greens

CAUTION: DO NOT process dry ingredients without adding liquid to the jar. This product is not intended for dry blending.

How to clean

CAUTION: Make sure that the motor base is unplugged from the power source before inserting or removing any attachment and before cleaning.

NOTICE: Wait until the blender has cooled down sufficiently before cleaning it.

CAUTION: DO NOT immerse the motor base into water or any liquid, or place into a dishwasher.

1. Separate/remove all parts from each other.
2. Clean the motor base with a slightly damp cloth and wipe dry
3. Place jars in the dishwasher. Place the lids and attachments on the top rack. Take caution when handling the blade assemblies as the blades are very sharp.
4. Whenever possible, rinse parts immediately after processing to make cleanup easier.
5. Store the product in a cool, dry place.

NOTE:

You may also wash the jars by filling the jar to the Max fill line with warm water and drop of dish washing detergent, placing the blade assembly on the jar and pulsing a few times. Do not fill the jar more than Max fill line with water because it will overflow. Once clean, remove the jar from the motor base. Rinse the jar, attachment and lid under running water. Allow all the parts to dry before storing.

Do not use scouring pads, abrasive cleaning agents or aggressive liquids such as petrol, alcohol or acetone to clean the appliance.

Tips:

- Use a small brush (not included) to remove particles of food lodged underneath the blades.
- If leftover particles dry onto the inside of the jar, fill the cup about 2/3 full with warm water and attach the blade subassembly. Place the jar and blade subassembly onto the motor base and operate the appliance for about 20-30 seconds to help loosen the stuck ingredients. Repeat the above step but use clean tap water. Empty blender and dry thoroughly.

CAUTION: Do not attempt to remove blades from the Blade subassembly for cleaning.

How to store

1. Store the appliance upright. Do not place anything on top. Store the jars and the rest of the attachments along the side of the appliance where they will not be damaged and won't cause a hazard.
2. Remove and empty the jar and ensure that no food is jamming the cutting blades.
3. Allow the appliance to cool for approximately 30 minutes.
4. Re-install the jar onto the base and re-plug the appliance into the electric outlet.
5. Proceed to use the appliance as before while making sure not to exceed the recommended maximum jar capacities.

TROUBLE SHOOTING

PROBLEMS	POSSIBLE REASONS & SOLUTIONS
Motor doesn't start or attachment doesn't rotate.	For the jars, make sure that the tabs are seated in the slots and turned clockwise.
Food is unevenly chopped.	Either you are chopping too much food at once, or you are not pulsing properly. Reduce the amount of food in the jar.
Food is too finely chopped or too watery	The food has been over processed. Use short operating for best results.
You can not achieve snow from ice cubes.	For best result use ice straight from the freezer. Try using short operating instead of long one. Make sure the jar is completely dry before adding ice.
Jar is leaking.	Make sure that your lid or blade assembly is properly assembled to the jar. Leaking may occur if it is misaligned when twisted onto the jar. Turn the lid tightly clockwise.
Unit doesn't turn on.	Make sure the unit is plugged in. Make sure the blade assembly is properly assembled to the jar and that is not misaligned.
Unit doesn't turn off.	Unplug the power cord from the electrical outlet and call customer service for support.
Doesn't mix well.	Pulse ingredients for best results. Press down on the jar in short intervals for even blending and chopping. For frozen ingredients, pulse in short intervals of 2-5 seconds and repeat.
Lid/blade assembly will not properly align to the jar.	Set the jar on a level surface. Place the lid or blade assembly on top of the jar and align the threads so that the lid/blades sit flat on the jar. Twist clockwise so that the lid/blades evenly align to the jar until you have a tight seal.

Correct Disposal of this product

This marking indicates that this product should not be disposed with other household wastes throughout the EU. To prevent possible harm to the environment or human health from uncontrolled waste disposal, recycle it responsibly to promote the sustainable reuse of material resources.



CHAMPION

Champion®

Makadamgatan 14 | 254 64 Helsingborg | Sweden

info@championnordic.se

Designed in Sweden | Assembled in China



FEndast för hushållsbruk

Vid användning av elektriska apparater ska grundläggande försiktighetsåtgärder alltid iakttas, inklusive följande:

1. **VARNING!** För att undvika elektriska stötar, sänk aldrig apparaten i vatten och låt inte sladden komma i kontakt med vatten eller andra vätskor.
2. Denna apparat är inte avsedd att användas av personer (inklusive barn) med nedsatt fysisk, sensorisk eller mental kapacitet, eller bristande erfarenhet eller kunskap, såvida de inte är under uppsikt av eller har fått instruktioner avseende apparatens användande av en person som är ansvarig för deras säkerhet.
3. TILLÅT INTE små barn att använda eller leka med apparaten. Noga uppsikt är nödvändig när apparaten används av eller i närheten av barn.
4. Låt aldrig apparaten arbeta obevakat.
5. Dra ur sladden från elkontakten när apparaten inte används, före sammansättning eller isärplockning av delar och före rengöring. När sladden dras ur, greppa alltid kontakten och dra ut den från eluttaget. Dra aldrig i själva elsladden.
6. VAR INTE vårdslös med den elektriska sladden. Bär inte apparaten i sladden. Ryck inte i sladden för att få ut den ur eluttaget, utan greppa istället kontakten och dra ut den för att koppla bort apparaten.
7. ANVÄND INTE en apparat med skadad elsladd eller kontakt, eller om apparaten ej fungerar som den ska, eller om den har tappats eller på något sätt är skadad.
8. Om elsladden är skadad måste den bytas ut av tillverkaren, en certifierad service-agent eller liknande kvalificerad person, för att undvika fara.
9. LÅT INTE sladden hänga över bords- eller bänkkanter, eller vidröra heta ytor såsom en spishäll.
10. Använd alltid apparaten stående på en torr, jämn yta. Diskhoar, avrinningsytor eller ojämna ytor ska absolut undvikas.
11. Håll händer, hår, kläder och redskap borta från behållaren vid användning, för att därmed minska risken för allvarliga personskador eller skador på apparaten. En slickepott kan användas, men endast då apparaten inte är igång.
12. **VIKTIGT:** Knivsatsen är vass, var försiktig. När knivsatsen hanteras, håll alltid i den undre delen av knivsatsen.
13. Vidrör inte delar som är i rörelse.
14. GÖR INGA ansatser att slipa knivbladen.
15. ANVÄND INTE apparaten om knivsatsen är böjd eller skadad.
16. För att minska skaderisk, placera aldrig knivsatsen på basen utan att sätta fast den korrekt.
17. ANVÄND INTE apparaten på eller nära heta ytor (såsom gas eller elektriska plattor/hällar eller i en uppvärmd ugn).
18. Användandet av tillsatser eller tillbehör som inte rekommenderats eller sålts av tillverkaren kan orsaka eldsvåda, elektriska stötar eller personskada.
19. TA INTE bort behållaren från motorenheten när apparaten är igång.
20. För att minska skaderisken, använd ALDRIG apparaten om inte knivsatsen är på plats; FÖRSÖK INTE bryta låsmekanismen, säkerställ att tillsatsen är riktigt fastsatt före användning av apparaten.
21. UTSÄTT INTE behållarna för extrema temperaturförändringar
22. **VIKTIGT:** Bered inte heta matvaror eller heta vätskor.
23. Överfyll INTE.
24. Kör INTE apparaten då den är tom.

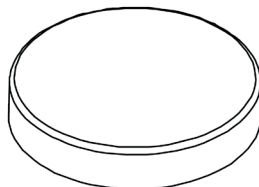
- SE
25. Om apparaten blir överhettad aktiveras en termisk strömbrytare som stänger av motorn. För att återstarta, koppla ur apparaten och låt den svalna under ca 30 minuter innan den används igen.
 26. Denna produkt är endast avsedd för användning i hushållet. Använd inte apparaten för annat än vad den är avsedd för. Använd den inte utomhus.
 27. Apparatillbehör är inte avsedda att användas i mikrovågsugnen. Placera inte behållaren eller locket i mikrovågsugnen, då detta kan skada tillbehören.
 28. Kontrollera att apparatens spänning överensstämmer med den lokala huvudledningen innan du startar apparaten.
 29. Sänk aldrig motorenheten i vatten eller andra vätskor. Skölj den ej heller under kranen. Använd endast en fuktig trasa för att torka av motorenheten.
 30. Koppla ur apparaten omedelbart efter användning.
 31. Förvara apparaten utom räckhåll för barn.
 32. Koppla alltid ur apparaten innan du börjar rengöra den.
 33. För att undvika fara, vänligen sätt samman apparaten korrekt.
 34. Säkerställ att knivarna är ordentligt fästa i tillbehören innan du sätter dem på motorenheten.
 35. Gör inga försök att reparera eller ta isär apparaten.
 36. **WARNING:** Förlängningsladdar är inte rekommenderade att användas med denna produkt.
 37. Spara dessa instruktioner för framtida användning.

TEKNISKA SPECIFIKATIONER

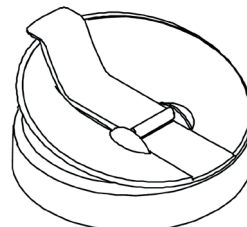
Spänning:	220~240V 50/60Hz
Effekt:	1200W
Behållare volymer:	0.5L, 0.7L, 1.0L

LÄR KÄNNA APPARATEN

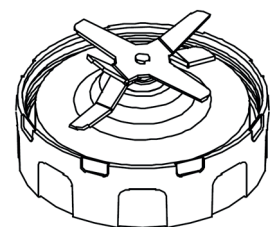
- A. Tätslutningslock
- B. Dryck- och tätslutningslock
- C. 1.0L behållare
- D. 0.7L behållare
- E. 0.5L behållare
- F. Motorenhet
- G. Knivsats



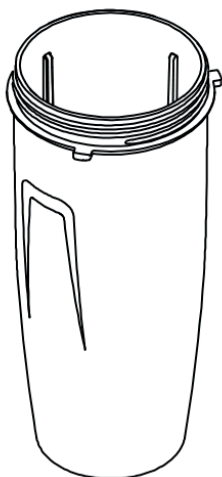
A



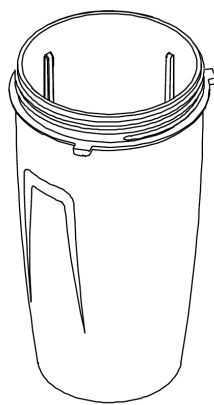
B



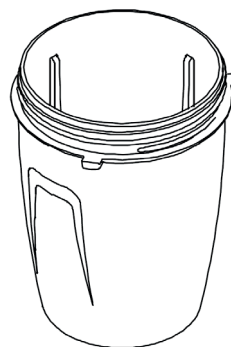
G



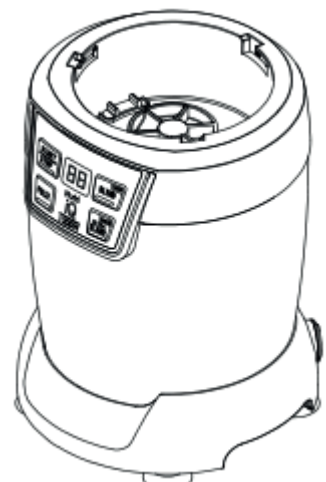
C



D



E



F

NOTERA: Tillsatserna är utbytbara

Beredaren är ett högst kraftfullt innovativt verktyg i kompakt design och med förträfflig prestanda. Den lämpar sig utmärkt för att krossa is, hackning, mixning och närings- och vitaminutvinning. "Mixa och ta med dig" med det bekväma dryckes- och tätslutningslocket. Gör läckra drinkar och kom iväg snabbt. Det bästa resultatet får du när du kör Pulse-funktionen.

SE

FUNKTIONER

Användarknappar

- **START/STOP:** Tryck en gång för att sätta igång kontinuerlig körning, tryck igen för att stanna. Timern räknar sekundvis uppåt, upp till 60 sek.
- **PULSE:** Kör endast vid nedtryckning. Korta nedtryckningar ger korta pulskörningar. Timern räknar uppåt så länge PULSE är nedtryckt.
- **NUTRI-iQ BLEND:** Pulserar och mixar färska och mjuka ingredienser för att åstadkomma jämn konsistens. Timern räknar ner.
- **NUTRI-iQ ULTRA BLEND:** Pulserar och mixar frusna, fiberrika och hårda ingredienser för att framställa smidiga jämna konsistenser. Timern räknar ner.

FÖRE FÖRSTA ANVÄNDNING

Före du använder apparaten för första gången är det viktigt att du läser och följer dessa användar- och skötselinstruktioner, även om du anser dig van vid denna typ av apparat.

1. Denna apparat har utformats för användning från ett standard eluttag i hemmet. Den är inte avsedd för industriell eller kommersiell användning.
2. Packa upp apparaten försiktigt. Kasta eller behåll packmaterialet för framtida användning.
3. Säkerställ att spänningen för din elektricitet är densamma som enligt etikettvärdet på apparaten.
4. Ta bort alla plasttillbehör och diska dem i varmt vatten med diskmedel. Torka noga och sätt tillbaka. Torka av höljet på motorenheten med en fuktig svamp eller trasa. Använd inte skrubbande rengöringsmedel/-redskap.

VIKTIGT: Tillsatserna är utbytbara.

FÖRSIKTIGHET: Knivarna är skarpa! Var ytterst försiktig med hanteringen av knivsatsen. Håll alltid knivsatsen i dess bas.

VIKTIGT: Kör aldrig apparaten när den är tom.

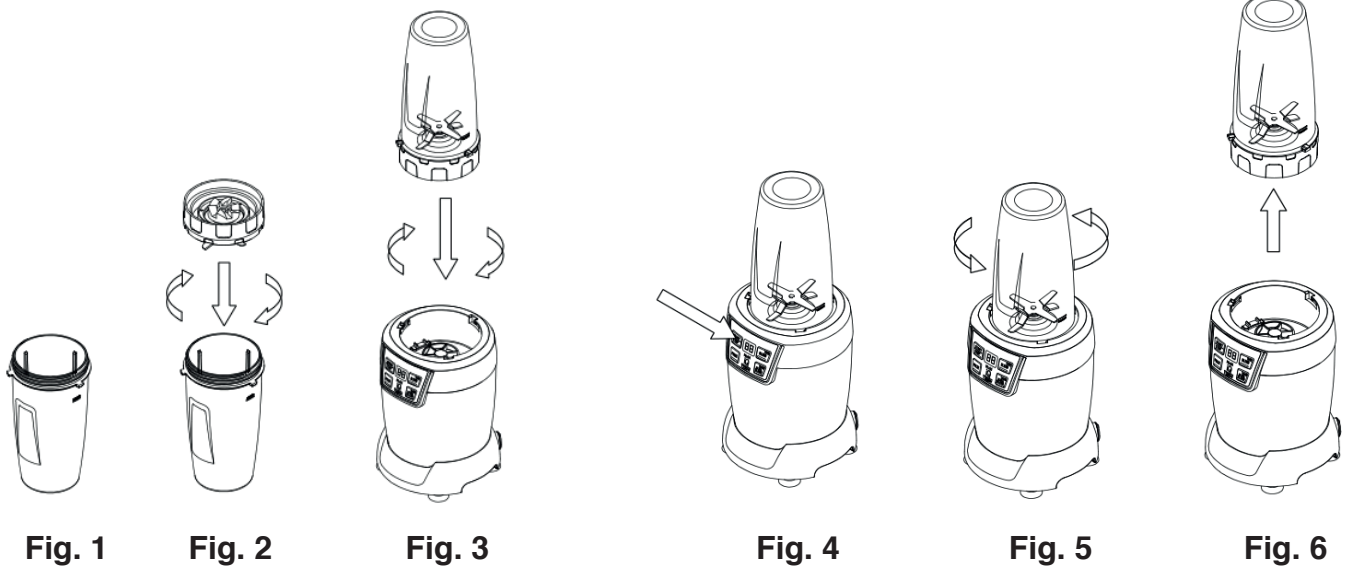
FÖRSIKTIGHET: Försök aldrig att ta av behållaren då apparaten fortfarande är igång.

VARNING: Lämna aldrig apparaten utan uppsikt då den används.

5. Ta bort allt packmaterial och -etiketter från apparaten.
6. Diska locken, behållarna och tillsatserna med diskmedel i varmt vatten med en mjuk trasa. Var försiktig när knivsatsen diskas då knivbladen är mycket vassa. Skölj och låt torka fullständigt. Behållare, lock och tillsatser kan alla diskas i maskin. Se till att tillsatserna är borttagna från behållarna innan de sätts in i diskmaskinen.

Montering

Demontering



VIKTIGT: Placera motorenheten på en ren, torr och jämn yta såsom en bänk- eller bordsskiva.

1. Se till att motorenheten är kopplad till eluttaget. Inga lampor tänds.
2. Lägg ingredienser i behållaren.

NOTERA: Överfyll inte behållaren! Undvik att spilla genom att inte fylla ingredienser över "Max"-nivålinjen.

3. Sätt fast knivbladen på behållaren och skruva fast det ordentligt tills du har tät tillslutning. (Fig. 1)
4. Vänd behållaren upp och ner och placera den på motorenheten, rikta in markeringsflikarna på behållaren och motordelen mot varandra. Vrid den medurs, tills du känner att den klickar in i rätt läge. Enheten är nu klar för användning. (Fig. 2)
5. Tryck på en av knapparna för att starta. (Fig. 3)

NOTERA: Enheten pulserar, gör uppehåll och kör kontinuerligt då de förinställda Nutri-iQ funktionerna används. Uppehållen tillåter innehållet i behållaren att sjunka samman. När timern når "0", stannar enheten automatiskt.

6. För att ta av behållaren, säkerställ att motorn har stannat helt. Vrid sedan behållaren moturs (Fig. 4) och dra rakt upp för ta av den. (Fig. 5)
7. Håll behållaren rakt upp och ta bort knivsatsen genom att vrida knivsatsen moturs. Förvara knivsatsen fäst i en tom behållare då den inte används.
8. Skruva på dryckes- och tätslutningslocket på behållaren och njut av en dryck då du är på språng. Tryck fast flik-topplocket ordentligt för att få bästa tätslutning. Flik-topplocket öppnas genom att föra det tillbaka.
9. Säkerställ att motorenheten är bortkopplad från eluttaget då den inte används.
10. För att ta undan motorenheten, fäll den bakifrån och framåt för att lätt lossa på dess sugproppar.

SÄKERHETSFUNCTIONER

Inbyggt säkerhetslås

Mixern har ett inbyggt säkerhetslås. Detta säkerställer att du endast kan starta apparaten om behållaren och knivsatsen sitter säkert fast på motorenheten. När apparaten är korrekt sammansatt, låses det inbyggda säkerhetslåset upp.

- VIKTIGT:** I basen på varje knivblads fäste, sitter en silikonpackning som skapar en lufttät anslutning till behållaren. Då knivbladen diskats i maskin, samt efter varje användning, kontrollera att packningen sitter ordentligt på plats, då värmen från vissa diskmaskiner kan få packningen att lossna.
- VARNING:** Kör inte motorn mer än 60 sekunder i sträck. Låt motorn vila i 3 minuter innan fortsatt användning.
- NOTERA:** Om knivbladen kör ojämnt, stanna apparaten och fyll på lite vätska, eller ta ur en del av ingredienserna från behållaren.
- NOTERA:** Torra ingredienser ska inte köras mer än 30 sekunder åt gången. Detta för att undvika att apparaten överhettas.

ANVÄNDNINGSRÅD

ANVÄNDNING	BEHÅLLARE, FÖRSLAG	LIVSMEDEL
Hackning	0.5L 0.7L	Nötter Choklad
Rivning	0.5L	Ost Brödsmlor
Blandning	0.5L 0.7L	Smet Dippsåser
Såser	0.7L 1.0L	Vinägretter Salladsdressingar Enkla såser
Mixning av fruset	0.5L 0.7L 1.0L	Is Frusen frukt Glass
Näringsjuicer/-smoothies	0.5L 0.7L 1.0L	Frukt Grönsaker Bladgrönsaker

VARNING: Bered INTE torra ingredienser utan att tillsätta vätska i behållaren. Produkten är inte avsedd för att mixa torra ingredienser.

Rengör

VARNING: Säkerställ att motorenheten är bortkopplad från eluttaget innan någon tillsats sätts på eller tas bort, samt före rengöring.

NOTERA: Vänta tills apparaten svalnat ordentligt innan den rengörs.

VARNING: SÄNK INTE motorenheten i vatten eller andra vätskor. Placera den ej heller i en diskmaskin.

1. Ta isär/bort alla delar från varandra.
2. Rengör motorenheten med en lätt fuktad trasa och torka torr.
3. Placera behållarna i diskmaskinen. Placera lock och tillsatser i den översta korgen. Var försiktig med hanteringen av knivsatsen då knivarna är mycket vassa.
4. I görligaste mån, skölj delarna omedelbart efter beredning för att underlätta rengöringen.
5. Förvara apparaten på en sval, torr plats.

NOTERA:

Du kan också rengöra behållarna genom att fylla dem till Max-markeringen med varmt vatten, en droppe diskmedel, sätta knivsatsen på behållaren och köra pulsering några gånger. Fyll inte vatten över Max-markering, då detta kommer att orsaka översvämning. När den är ren, ta bort behållaren från motorenheten. Skölj behållaren, tillsatsen och locket under rinnande vatten. Låt delarna torka innan de ställs undan.

Använd inte skrubbande redskap, slipande rengöringsmedel eller angripande vätskor, såsom bensin, alkohol eller aceton för att rengöra apparaten.

Tips:

- Använd en liten borste (medföljer inte) för att ta bort matrester som fastnat under knivbladen.
- Om matrester torkat in på insidan av behållaren, fyll behållaren till 2/3 med varmt vatten och sätt på knivsatsen. Placera behållaren och knivsatsen på motordelen. Kör apparaten i 20-30 sekunder för att få loss de intorkade matresterna. Upprepa proceduren med rent kranvatten. Töm behållaren och låt lufttorka ordentligt.

VARNING: Gör inga försök att ta bort knivbladen från dess underdel för rengöring.

Förvaring

1. Förvara apparaten stående. Placera ingenting ovanpå den. Förvara behållarna och resten av tillsatserna bredvid apparaten på ett sätt så att de inte blir skadade och inte kommer att orsaka fara.
2. Ta bort och töm behållaren och se till att inga matrester sitter fast i knivbladen.
3. Låt apparaten svalna under ca 30 minuter.
4. Sätt tillbaka behållaren på motorenheten och sätt åter elkontakten i eluttaget.
5. Fortsätt att använda apparaten som tidigare och se till att inte överstiga den rekommenderade maximala kapaciteten för behållaren.

PROBLEM	MÖJLIG ORSAK OCH LÖSNING
Motorn startar inte eller tillsatsen roterar inte	Avseende behållaren: säkerställ att markeringsflikarna är ställda i spåren och vridna medurs.
Ingredienserna hackas ojämnt	Antingen hackar du för mycket ingredienser åt gången, eller så använder du inte pulseringen på riktigt sätt. Reducera mängden ingredienser i behållaren.
Ingredienserna hackas alltför fint eller alltför vattnigt	Ingredienserna har bearbetats för länge. Bered under kortare tidsintervall för bästa resultat.
Du kan inte åstadkomma snö från iskuber	För bästa resultat använd iskuber direkt från frysen. Försök att bearbeta under kortare tidsintervall snarare än långa. Försäkra att behållaren är helt torr innan is fylls på.
Behållaren läcker	Försäkra att locket eller knivsatsen är ordentligt fastsatt på behållaren. Läckage kan uppstå om locket satts på snett när det skruvats på behållaren. Vrid fast locket medurs ordentligt.
Apparaten går inte igång	Säkerställ att apparaten är kopplad till eluttaget. Säkerställ att knivsatsen är ordentligt fastsatt på behållaren och att den inte sitter snett.
Apparaten stängs inte av	Koppla bort elsladden från eluttaget och ring kundservice för support.
Den blandar inte ordentligt	Pulsera ingredienserna för bästa resultat. Tryck neråt på behållaren i korta intervall för jämn mixning och hackning. För frusna ingredienser, pulsera i korta intervall i 2-5 sekunder och återupprepa.
Lock/knivsats kan inte sättas på jämnt på behållaren	Ställ behållaren på en jämn yta. Placera locket eller knivsatsen ovanpå behållaren och ställ skruvspåren så att locket/knivsatsen står rakt på behållaren. Vrid medurs så att locket/knivsatsen skruvas på jämnt mot behållaren och får ett tätt åtsittande fäste.

Korrekt avfallshantering

Denna symbol på produkten eller i instruktionerna betyder att den ska slängas separat från annat hushållsavfall när den inte fungerar längre. Inom EU finns separata återvinningssystem för avfall. Kontakta lokala myndigheter eller din återförsäljare för mer information.



CHAMPION

Champion®
 Makadamgatan 14 | 254 64 Helsingborg | Sweden
 info@championnordic.se
 Designed in Sweden | Assembled in China



VIGTIGE SIKKERHEDSINSTRUKTIONER

Kun til husholdningsbrug

Ved brug af elektriske apparater skal man tage nogle basale sikkerhedsforanstaltninger, inklusive de følgende:

1. **ADVARSEL!** For at beskytte mod elektriske stød må hverken apparatet eller ledningen være i kontakt med vand eller andre væsker.
2. Dette apparat er ikke beregnet til brug for personer (inklusive børn) med reducerede fysiske, sensoriske eller mentale evner, eller med manglende erfaring eller viden, medmindre de er under opsyn eller har fået instruktioner til brug af apparatet af en person, der kan tage ansvaret for deres sikkerhed.
3. TILLAD IKKE små børn at benytte apparatet, som ikke er legetøj. Nøje opsyn er en nødvendighed, når apparatet er i brug eller befinder sig i nærheden af børn.
4. Apparatet på aldrig benyttes uden opsyn.
5. Fjern ledningen fra stikkontakten, når apparatet ikke er i brug, før dele samles eller adskilles samt før rengøring. Når stikket tages ud, hives stikket ud af stikkontakten. Hiv aldrig i den elektriske ledning.
6. MISBRUG IKKE ledningen. Bær aldrig apparatet i ledningen eller ryk ej heller i ledningen, når denne skal fjernes fra stikkontakten; tag i stedet fat om stikket og hiv det ud af stikkontakten.
7. BENYT IKKE apparater med et beskadiget stik eller en beskadiget ledning, eller efter apparatet har haft funktionsfejl, er blevet tabt eller beskadiget på nogen måde.
8. Hvis stikket er beskadiget, bør det udskiftes af fabrikanten, en certificeret tekniker eller en person med lignende kvalifikationer, så der undgås faremomenter.
9. Lad ikke ledningen hænge ud over køkkenbordet eller røre varme overflader som eksempelvis kogeplader.
10. Benyt altid apparatet på en tør, jævn overflade. Undgå vaske, opvaskebakker og ujævne overflader.
11. Hold hænder, hår, tøj og redskaber ude af beholderen under brug for at reducere faren for alvorlig personskade eller skade på apparatet. En skraber kan benyttes, men kun når apparatet ikke er i brug.
12. **ADVARSEL:** Bladet er skarpt, benyt det med omhu. Hold altid bladet ved bunden, når dette skal håndteres.
13. Undgå kontakt med bevægelige dele.
14. FORSØG IKKE at slibe bladene.
15. FORSØG IKKE at benytte apparatet, hvis bladene er bøjedede eller beskadigede.
16. For at reducere risikoen for personskade bør bladet aldrig placeres på basen uden den fornødne fastgøring,
17. Forsøg ikke at benytte dette apparat på eller tæt ved varme overflader (herunder gas- eller elektriske brændere samt i en varm ovn).
18. Brug af tilslutninger eller tilbehør, der ikke er anbefalet eller solgt af producenten, kan forårsage antændelse, elektriske stød eller personskade.
19. FJERN IKKE beholderen fra motorenheden, mens apparatet er i brug.
20. For at reducere risikoen for personskade må apparatet ALDRIG benyttes, uden at bladet er fastgjort. BRUG ALTID låsemekanismen; vær sikker på, at tilslutningen er korrekt installeret, før apparatet tages i brug.
21. UDSÆT IKKE beholderen for ekstreme temperaturforandringer.
22. **ADVARSEL:** Behandl ikke varme madvarer eller væsker.
23. FYLD IKKE for meget i.
24. BENYT IKKE apparatet, når beholderen er tom.

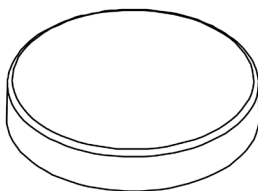
25. Hvis apparatet overophedes, aktiveres en kontrolsikring, og motoren slukkes. For at genstarte apparatet skal stikket tages ud, og apparatet nedkøles i omkring 30 minutter, før det tages i brug igen.
26. Dette produkt er kun tiltænkt brug i private husholdninger. Benyt ikke dette apparat til andet end dets oprindelige formål. Benyt det ej heller udendørs.
27. Dette produkt er ikke tiltænkt brug i mikrobølgeovn. Placér derfor ikke beholderen eller låget i mikrobølgeovn, da det kan gøre skade på tilbehøret.
28. Sørg for, at den angivne spænding på apparatet stemmer overens med spændingen i stikkontakten, før apparatet tilsluttes.
29. Motoren må aldrig nedsænkes i vand eller anden væske eller skylles under hanen. Brug kun fugtige klude til rengøring af motoren.
30. Tag stikket ud straks efter brug.
31. Hold apparatet uden for børns rækkevidde.
32. Træk altid stikket ud, før rengøringen af apparatet påbegyndes.
33. Saml apparatet korrekt, så faremomenter undgås.
34. Sørg for, at bladet er fastgjort sikkert til tilbehøret, før de fastgøres til motorenheden.
35. Forsøg ikke at reparere eller skille apparatet ad.
36. **ADVARSEL:** Brug af forlængerledninger anbefales ikke sammen med dette produkt.
37. Gem disse instruktioner til fremtidig brug.

TEKNISKE SPECIFIKATIONER

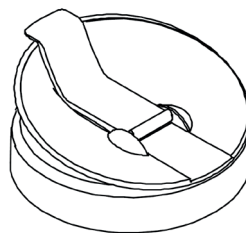
Spænding: 220~240V 50/60Hz
 Effekt: 1200W
 Beholderkapacitet: 0,5 L, 0,7 L, 1,0 L

LÆR APPARATET AT KENDE

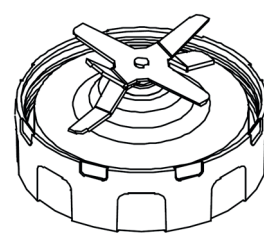
- A. Forseglingslåg
- B. Forseglingslåg med åbning
- C. 1,0 L beholder
- D. 0,7 L beholder
- E. 0,5 L beholder
- F. Motorbase
- G. Blad



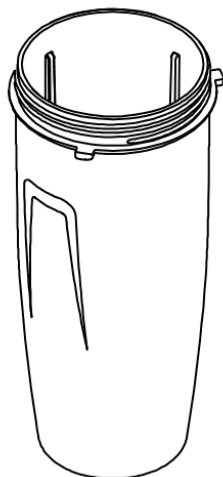
A



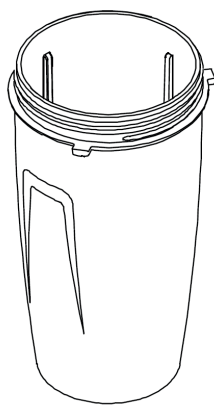
B



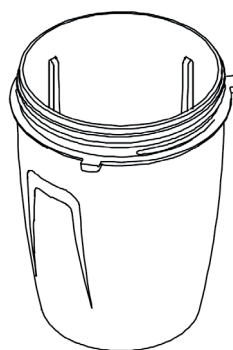
G



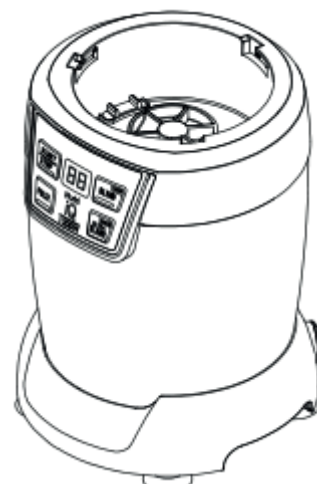
C



D



E



F

Bemærk: Tilbehøret kan udskiftes.

Blenderen er et kraftigt innovativt redskab med et kompakt design og en fantastisk ydeevne. Den er perfekt til at knuse is, hakke madvarer, blende og til at ekstrahere næringsstoffer og vitaminer. Blend og tag de blendede ingredienser med dig takket være det smarte forseglingslåg med åbning. Lav lækre drinks, der hurtigt kan tages med ud af døren! De bedste resultater opnås med Pulse-funktionen.

EGENSKABER

Brugerinterface:

- **START/STOP:** Tryk en gang for kontinuerlig drift, tryk igen for stop. Timeren tæller sekunder, op til 60 sekunder.
- **PULSE:** Kører kun, når den trykkes ned. Korte tryk giver korte pulseringer. Timeren tæller sekunder, så længe der trykkes ned.
- **NUTRI-iQ BLEND:** Pulserer og blender friske og bløde ingredienser, så der opnås et ensartet resultat. Timeren tæller ned.
- **NUTRI-iQ ULTRA BLEND:** Pulserer og blender frosne, fiberholdige eller hårde ingredienser, så der opnås et ensartet resultat. Timeren tæller ned.

FØR IBRUGTAGNING

Før dette apparat bruges første gang, er det vigtigt, at man læser og følger instruktionerne i denne manual, selv hvis man føler, at man kender denne type apparater.

1. Dette apparat er blevet designet til brug i en standard husholdningsstikkontakt. Det er ikke tiltænkt industrielle eller erhvervsmæssige formål.
2. Pak forsigtigt apparatet ud. Fjern al indpakning og kassér denne eller behold den til fremtidig brug.
3. Vær sikker på, at spændingen i stikkontakten er den samme som den angivne spænding på enhedens mærkater.
4. Fjern plastictilbehøret og vask det i varmt sæbevand. Tør grundigt af og udskift. Før en fugtig svamp eller klud over motordelens overflade. Brug ikke skurende rengøringsmidler.

VIGTIGT: Tilbehøret kan udskiftes.

ADVARSEL: Bladene er skarpe! Vær ekstremt forsigtig, når der arbejdes med bladene. Hold altid bladene i bunden.

VIGTIGT: Benyt aldrig apparatet, mens det er tomt.

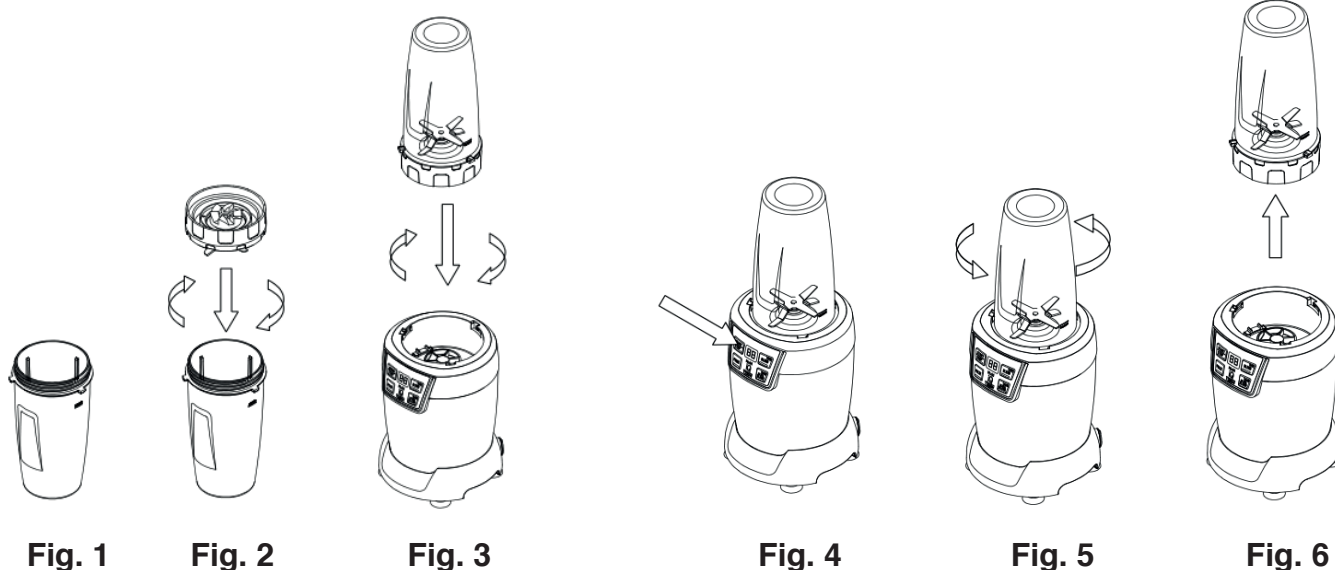
ADVARSEL: Forsøg aldrig at fjerne beholderen, mens apparatet stadig er i brug.

ADVARSEL: Efterlad aldrig apparatet uden opsyn, mens det er i brug.

5. Fjern al indpakning og alle mærkater fra apparatet
6. Vask lågene, beholderne og tilbehøret i varmt sæbevand med blød klud. Vær forsigtig, når bladene vaskes, da de er meget skarpe. Rens og tør grundigt. Beholdere, låg og tilbehør kan alt sammen bruges i opvaskemaskinen. Vær sikker på, at tilbehøret er fjernet fra beholderne, før disse placeres i opvaskemaskinen.

Samling

Afmontering



VIGTIGT: Placér motoren på en ren, tør, jævn overflade som eksempelvis et køkkenbord eller et bord.

1. Vær sikker på, at motordelen er tilkoblet ved brug. Der er ingen indikatorlamper, der tændes.
2. Tilføj ingredienser til beholderen.

BEMÆRK: Fyld ikke for meget i! For at undgå spild må der ikke fyldes ingredienser i over "max"-linjen.

3. Placér bladet i beholderen og drej det, så det sikres (Fig. 1.).
4. Vend beholderen på hovedet og placér den på motordelen, så klapperne på beholderen passer med motordelen. Drej den med uret, indtil den klikkes på plads. Enheden er klar til brug (Fig. 2).
5. Tryk på en af knapperne for at aktivere enheden (Fig. 3).

BEMÆRK: Ved brug af Nutri-iQ funktionerne vil apparatet benytte såkaldte pulseringer, pauser og kontinuerlig drift. Pauserne gør, at indholdet i beholderen har mulighed for at samle sig. Når timeren når "0," stopper den af sig selv.

6. For at fjerne låget, skal man være sikker på, at motoren er stoppet med at køre. Drej så beholderen mod uret (Fig. 4) og hiv lige ud for at fjerne den (Fig. 5).
7. Vend beholderen opad og fjern bladet ved at dreje det mod uret. Vær sikker på, at bladet er påsat en tom beholder, når apparatet ikke er i brug.
8. Drej forseglingslåget med åbningen på beholderen for at nyde en drink på farten. Pres flip-top-hætten ind i åbningen for at opnå den bedste forsegling. Flip-top-hætten åbnes, når den presses bagud.
9. Vær sikker på, at ledningen til motordelen ikke er tilsluttet, når apparatet ikke er i brug.
10. Fjern motordelen, tip enheden fremad bagfra for nemt at løsne sugeskopperne.

SIKKERHEDSEGENSKABER

Indbygget sikkerhedslås

Blenderen har en indbygget sikkerhedslås. Dette sikrer, at man kun kan tænde apparatet, når beholderen og bladet er forsvarligt samlet med motordelen. Hvis apparatet er samlet korrekt, oplåses den indbyggede sikkerhedslås.

VIGTIGT: I bunden af hvert blad er der en silikonetætning, der skaber en lufttæt samling med beholderen. Efter vask og før hver brug, sørg da for, at silikonetætningen sidder, som den skal, da varmen fra nogle opvaskemaskiner kan få tætningen til at løsne sig.

ADVARSEL: Benyt ikke motoren kontinuerligt i længere tid end 60 sekunder ad gangen. Lad motoren hvile 3 minutter, før processen fortsætter.

BEMÆRK: Hvis bladet ikke bevæger sig jævnt, så stop apparatet og tilføj væske eller fjern ingredienser fra beholderen.

BEMÆRK: For at forhindre overophedning må tørre ingredienser ikke forarbejdes længere tid end 30 sekunder ad gangen.

FORSLAG TIL BRUG

FORMÅL	ANBEFALET BEHOLDER	TYPE AF MAD
Hakke	0.5L 0.7L	Nødder Chokolade
Rive	0.5L	Ost Brødkrummer
Blande	0.5L 0.7L	Dej Dip
Saucer	0.7L 1.0L	Vinaigrettes Salatdressinger Simple saucer
Frossen blanding	0.5L 0.7L 1.0L	Is Frossen frugt
Nærende Juices/Smoothies	0.5L 0.7L 1.0L	Frugter Grøntsager Bladgrønt

ADVARSEL: Forarbejd ikke tørre ingredienser uden at tilføje væske til beholderen. Dette produkt er ikke tiltænkt tør blanding.

Rengøring

ADVARSEL: Vær sikker på, at motordelen ikke er sluttet til stikkontakten, før der indsættes eller fjernes tilbehør eller før rengøring.

BEMÆRK: Vent, indtil blenderen er kølet helt ned, før den rengøres.

ADVARSEL: SÆNK IKKE motoren ned under vand eller anden væske. Anbring den ej heller i vaskemaskinen.

1. Fjern/skil alle delene ad.
2. Rengør motoren med en let fugtig klud og tør af.
3. Placér beholderne i vaskemaskinen. Placér lågene og tilbehøret på den øverste hylde. Vær forsigtig ved håndtering af bladene, da disse kan være yderst skarpe.
4. Når muligt skal delene renses umiddelbart efter brug, så rengøringen bliver nemmere.
5. Opbevar produktet tørt og køligt.

BEMÆRK:

Man kan også vaske beholderne ved at fylde beholderen til max. linjen med varmt vand og ihælde et par dråber opvaskemiddel og køre blenderen et par gange på pulseringsfunktionen. Fyld ikke beholderen med vand mere end til max. linjen, da vandet vil flyde over. Når den er ren, kan man fjerne beholderen fra motordelen. Skyl beholderen, tilbehøret og låget under rindende vand. Lad alle dele tørre, før de opbevares.

Benyt ikke grydesvampe, skuremidler eller aggressive væsker som benzin, alkohol eller acetone til rengøring af apparatet.

Tips:

- Brug en lille børste (medfølger ikke) til at fjerne madrester under bladene.
- Hvis madrester tørres på indersiden, fyldes beholderen ca. 2/3 med varmt vand, og bladene monteres. Placér beholderen med bladene på motordelen, kørs apparatet i ca. 20-30 sekunder, så madresterne løsnes. Gentag dette trin, men benyt rent vand fra hanen. Tøm blenderen og aftør omhyggeligt.

ADVARSEL: Forsøg ikke at fjerne bladene fra bladsamlingen for at rengøre dem.

Opbevaring

1. Opbevar apparatet opretstående. Placér ikke genstande oven på apparatet. Opbevar beholderne og resten af tilbehøret ved siden af apparatet, hvor de ikke vil gå i stykker og ikke udgør nogen fare.
2. Fjern og tøm beholderen og vær sikker på, at ingen madrester sidder i klemme mellem bladene.
3. Lad apparatet køle ned i ca. 30 minutter.
4. Geninstallér beholderen på grunddelen og tilslut apparatet til stikkontakten.
5. Fortsæt med at benytte apparatet som før. Vær fortsat sikker på ikke at overgå de anbefalede beholderkapaciteter.

PROBLEMER	MULIGE ÅRSAGER OG LØSNINGER
Motoren starter ikke eller tilbehøret roterer ikke.	Vær sikker på, at alle klapperne på beholderne er placeret i rillerne og er drejet mod uret.
Maden hakkes ujævnt.	Enten hakkes der for meget mad på én gang, eller også pulserer man ikke korrekt. Reducér mængden af mad i beholderen.
Maden hakkes for fint eller er for vædet.	Maden er blevet forarbejdet for meget. Blend i kortere tid og opnå de bedste resultater.
Isternerne hakkes ikke til sne.	For at opnå de bedste resultater bruges der is direkte fra fryseren. Blend i kortere tid i stedet for lang tid. Vær sikker på, at beholderen er fuldstændig tør, før der tilsættes is.
Beholderen lækker.	Vær sikker på, at låget eller bladsamlingen er korrekt tilsluttet beholderen. Lækage kan opstå, hvis den er sporet forkert på beholderen. Drej låget tæt mod uret.
Enheden tænder ikke.	Vær sikker på, at enheden er tilsluttet stikkontakten. Vær sikker på, at bladsamlingen er korrekt tilsluttet beholderen og ikke er sporet skævt ind.
Enheden slukker ikke.	Fjern ledningen fra stikkontakten og tilkald kundeservice for support.
Blender ikke ordentlig.	Pulsér ingredienserne for de bedste resultater. Tryk ned på beholderen i korte intervaller for at blende og hakke jævnt. Ved frosne grøntsager pulseres der i korte intervaller à 2-5 sekunder, hvilket gentages.
Låg/bladsamlingen samles ikke ordentligt med beholderen.	Sæt beholderen på en jævn overflade. Placer låget eller bladsamlingen oven på beholderen og ret trådene ind, så låget/bladene sidder fladt på beholderen. Drej med uret, så låget/bladene flugter lige med beholderen, så forseglingen bliver tæt.

Korrekt affaldshåndtering

Dette symbol på produktet eller i instruktionerne betyder at det skal smides ud separat fra andet husaffald, når det ikke fungerer længere. I EU findes separate genbrugssystemer for affald. Kontakt de lokale myndigheder eller din sælger for mere information.



Champion®
 Makadamgatan 14 | 254 64 Helsingborg | Sweden
 info@championnordic.se
 Designed in Sweden | Assembled in China



Kun for hjemmebruk

Når elektriske apparater er i bruk, må grunnleggende sikkerhetsregler alltid følges, inkludert følgende:

1. **ADVARSEL!** For å beskytte mot elektrisk støt, la ikke apparatet eller strømledningen komme i kontakt med vann eller annen væske.
2. Dette apparatet er ikke beregnet på å bli håndtert av personer (inkludert barn) med redusert fysisk, sensorisk eller mental kapasitet, eller med manglende erfaring eller kunnskap, med mindre de har fått oppfølging og instruksjon vedrørende bruk av apparatet av en person med ansvar for vedkommendes sikkerhet.
3. IKKE LA små barn håndtere apparatet eller bruke det som leketøy. Nøye overvåkning er nødvendig når apparatet blir brukt av, eller i nærheten av barn.
4. Aldri la apparatet operere uten overvåkning.
5. Fjern strømledningen fra stikkontakten når det elektriske apparatet ikke er i bruk, før montering eller demontering av deler, og før rengjøring. For å ta ut kontakten; ta tak i stikkontakten og trekk ut fra støpselet. Trekk aldri i ledningen.
6. IKKE BRUK strømledningen til noe annet enn den er ment for. Bær aldri apparatet i ledningen, eller trekk i den for å ta kontakten ut av støpselet. Ta heller tak i stikkontakten og trekk for å ta den ut.
7. IKKE BRUK elektriske apparater med skadet ledning eller stikkontakt, eller etter at apparatet har feilet, har blitt mistet eller skadet på noen måte.
8. Hvis strømledningen har blitt skadet, må den ble erstattet av produsenten, eller en sertifisert service agent eller på en annen måte kvalifisert person, for å unngå fare.
9. IKKE LA strømledningen henge over kanten av et bord eller benk, eller komme borti en varm overflate, som en koketopp.
10. Bruk alltid apparatet på en tørr og plan overflate. Oppvaskkum, tørkeriller eller ujevne overflater må unngås.
11. Hold hender, hår, klær og kjøkkenredskaper ute av glassbeholderen mens apparatet jobber for å minske risikoen for alvorlig skade på personer, eller at apparatet blir ødelagt. En skrape kan bare brukes når apparatet har stoppet.
12. **ADVARSEL:** Knivbladene er skarpe, de skal behandles forsiktig. Når du håndterer knivbladene, hold alltid på basen som knivene er festet til.
13. Unngå kontakt med deler i bevegelse.
14. IKKE FORSØK å slipe knivene.
15. IKKE BRUK apparatet dersom knivbladene er bøyd eller skadet.
16. For å minske risikoen for skade; aldri plasser knivbladene på basen uten det riktige tilbehøret.
17. BRUK IKKE dette apparatet på eller i nærheten av en varm overflate (som en elektrisk ovn eller stekeovn).
18. Bruk av deler og tilbehør som ikke er anbefalt eller solgt av produsenten, kan forårsake brann, elektrisk sjokk eller personskaade.
19. IKKE FJERN beholderen fra motorbasen mens apparatet er i gang.
20. For å minske risiko for skade, bruk ALDRI apparatet uten å ha knivbladene på plass; IKKE FORSØK å overstyre låsmekanismen; sørg for at tilbehøret er ordentlig installert før apparatet opereres.
21. IKKE UTSETT glassbeholderen for ekstreme temperaturendringer.
22. **ADVARSEL:** Varm mat eller væske skal ikke benyttes.
23. IKKE fyll mer enn maksimum mengde.
24. IKKE BRUK apparatet når det er tomt.

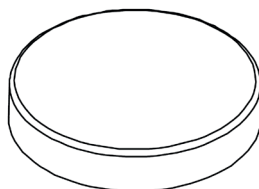
- NO
25. Hvis apparatet går varmt, vil en termisk bryter aktiveres og skru av motoren. For å resette; ta ut kontakten og la apparatet kjøle seg ned i omtrent 30 minutter før det brukes igjen.
 26. Dette produktet er kun ment for bruk i husholdningen innendørs. Bruk ikke apparatet for annet enn det er ment til. Bruk det ikke utendørs.
 27. Apparatus tilbehør er ikke ment for bruk i mikrobølgeovn. Ikke plasser beholderen eller lokket i mikrobølgeovn, da det kan skade tilbehøret.
 28. Sjekk at spenningen oppgitt på apparatet stemmer med den lokale hovedspenningen før du kobler til apparatet.
 29. Senk aldri motordelen i vann eller annen væske, og skylk ikke av den i springen. Bruk en fuktig klut for å rengjøre motordelen.
 30. Ta ut stikkkontakten umiddelbart etter bruk.
 31. Hold apparatet ute av rekkevidde for barn.
 32. Ta alltid ut stikkkontakten før du rengjør apparatet.
 33. For å unngå fare, vennligst sett sammen produktet korrekt.
 34. Sørg for at knivbladene er sikkert festet til tilbehøret før du monterer det på motordelen.
 35. Ikke forsøk å reparere eller demontere apparatet.
 36. **ADVARSEL:** Skjøteledninger er ikke anbefalt brukt på dette produktet.
 37. Ta vare på disse instruksene for bruk i fremtiden.

TEKNISKE SPESIFIKASJONER

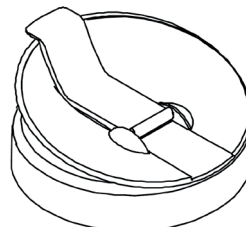
Spenning:	220~240V 50/60Hz
Energiforbruk:	1200W
Kapasitet på beholder:	0.5L, 0.7L, 1.0L

BLI KJENT MED DITT APPARAT

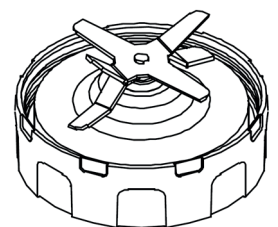
- A. Forseglingslokk
- B. Drikke & Forseglingslokk
- C. 1.0L Beholder
- D. 0.7L Beholder
- E. 0.5L Beholder
- F. Motordel
- G. Knivblader



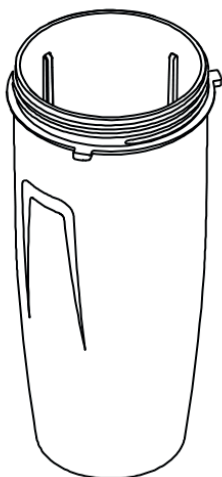
A



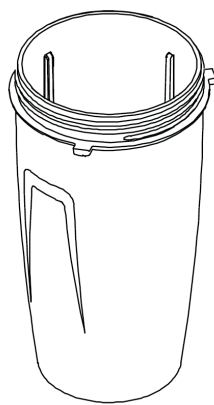
B



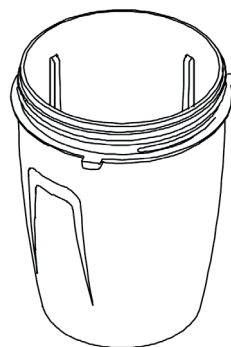
G



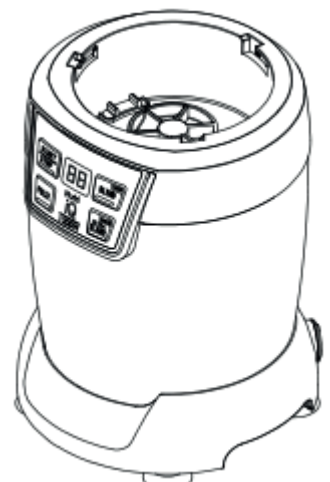
C



D



E



F

MERK: Tilbehør er utskiftbart.

Blenderen er et kraftig og innovativt verktøy med en kompakt design og en fantastisk ytelse. Den er perfekt for å knuse is, hakke, mikse og trekke ut næring og vitaminer. Miks på farten med det hendige drikke- & forseglingslokket, lag deilige drikker som for deg ut av døren på null tid! Det beste resultatet oppnås når du bruker Pulsfunksjonen.

NO

EGENSKAPER

Brukergrensesnitt:

- **START/STOPP:** Trykk en gang for å sette i gang blenderen, trykk en gang til for å stoppe. Timeren teller sekunder i opptil 60 sekunder.
- **PULS:** Går kun når den blir holdt inne. Korte trykk gir korte pulser.
- Timeren teller sekunder så lenge denne blir holdt inne.
- **NUTRI-iQ BLEND:** Pulser og mikser friske og mykere ingredienser for å skape et jevnt resultat. Timeren teller ned.
- **NUTRI-iQ ULTRA BLEND:** Pulser og mikser frosne, fiberrike eller harde ingredienser for å skape et smooth og jevnt resultat. Timeren teller ned.

FØR FØRSTEGANGS BRUK

Før du bruker apparatet første gang er det viktig at du leser og følger instruksene i denne bruk- og vedlikeholds brosjyren, selv om du føler at du er kjent med denne typen apparater.

1. Dette apparatet er designet for å bli brukt fra et standard husholdningsstrømuttak. Den er ikke ment for industriell eller kommersiell bruk.
2. Vær forsiktig når du pakker ut apparatet. Fjern alle innpakningsmaterialer og enten kast det, eller ta vare på det for fremtidig bruk.
3. Sørg for at spenningen på ditt strømuttaket stemmer overens med det som er oppgitt på apparatets merking.
4. Fjern plastikktilbehøret og vask det i varmt såpevann. Tørk nøye og sett på plass. Tørk av utsiden av motordelen med en fuktig svamp eller klut. Ikke bruk vaskemidler med slipeagenter.

VIKTIG: Tilbehør er utskiftbart.

FORSIKTIG: Knivbladene er skarpe! Vær ekstremt forsiktig når du håndterer knivbladene. Hold alltid i basen de er festet i.

VIKTIG: Aldri kjør apparatet tomt.

FORSIKTIG: Forsøk aldri å fjerne beholderen når apparatet går.

ADVARSEL: La aldri apparatet gå uten tilsyn.

5. Fjern all innpakning og etiketter fra apparatet.
6. Vask lokkene, beholderne og tilbehøret i varmt såpevann ved hjelp av en myk klut. Vær forsiktig når du vasker knivbladene, siden bladene er veldig skarpe. Skyll og tørk nøye. Beholdere, lokk og tilbehør er alle ment for oppvaskmaskin. Sørg for at alt tilbehør er fjernet fra beholderne før du plasserer dem i oppvaskmaskinen.

Montering

Fjerning

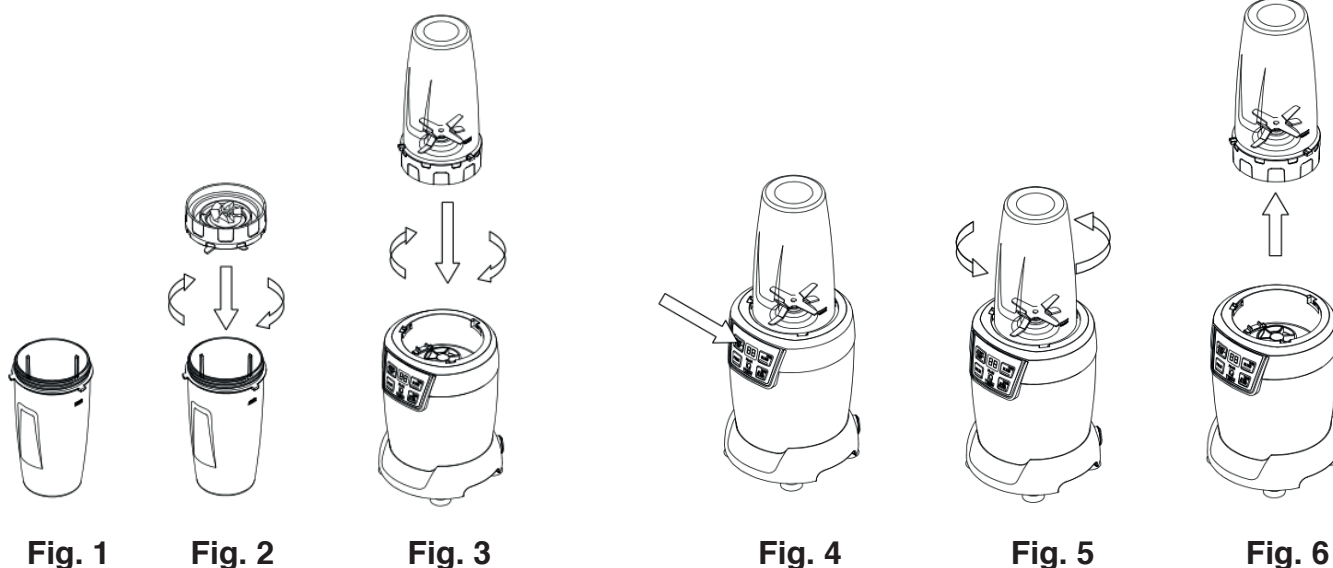


Fig. 1

Fig. 2

Fig. 3

Fig. 4

Fig. 5

Fig. 6

VIKTIG: Plasser motordelen på en ren, tørr og jevn overflate, som en kjøkkenbenk eller bordflate.

1. Sørg for at motordelen er satt i kontakten for bruk. Det er ingen lys som vil varsle dette.
2. Putt ingrediensene i beholderen.

MERK: Ikke fyll mer enn maksimumsgrensen! For å unngå søl, ikke ha i ingredienser over «Max» linjen.

3. Sett knivbladene på beholderen, og vri til den sitter godt fast. (Fig. 1)
4. Snu beholderen opp ned, og sett den på motordelen. Få merkene på beholderen på linje med tilsvarende merker på motordelen. Vri den med klokken til du føler at den klikker på plass. Enheten er klar for bruk. (Fig. 2)
5. Trykk på en knapp for å aktivere. (Fig.3)

MERK: Når du bruker forhåndsinnstillingen Nutri-iQ, vil enheten selv styre bruken av pulser, pauser og sammenhengende bruk. Pausene lar ingrediensene i koppen falle på plass. Når timeren har telt ned til "0", vil den stoppe av seg selv.

6. For å ta av beholdere, sørg for at motoren har stoppet. Vri så beholderen mot klokken (Fig. 4) og trekk den rett opp. (Fig. 5)
7. Vend beholderen riktig vei, og ta vekk knivbladene ved å vri basen med bladene mot klokken. Sørg for å oppbevare knivbladene ved å feste dem til en tom beholder når den ikke er i bruk.
8. Vri drikk & forseglingsløkket på beholderen for å nyte drikken din på farten. Press flip toppen godt over åpningen for å få den beste forseglingen. Flip toppen åpner seg når den blir presset bakover.
9. Sørg for at motordelen er tatt ut av støpselet når den ikke er i bruk.
10. For å fjerne motordelen, tipp den framover for å frigjøre sugekoppene på en enkel måte.

SIKKERHETSEGENSKAPER

Innebygd sikkerhetslås

Blenderen har en innebygd sikkerhetslås. Dette sikrer at du bare kan skru på apparatet når beholderen og knivbladene er montert trygt på motordelen. Hvis apparatet er korrekt satt sammen, vil sikkerhetslåsen åpne seg.

VIKTIG: På basen av hvert enkelt knivblad, er det en pakningsforsegling av silikon som sørger for at det blir lufttett inntil beholderen. Etter oppvask, og før hver gang apparatet brukes, sørg for å sjekke at pakningen er ordentlig på plass, ettersom varmen fra oppvaskmaskinen kan forårsake at pakningen løsner.

ADVARSEL: Ikke bruk motoren sammenhengende for mer enn 60 sekunder om gangen. La motoren hvile i 3 minutter før du fortsetter.

MERK: Hvis knivbladene ikke går jevnt, stopp produktet og hell i litt væske, eller reduser mengden ingredienser i beholderen.

MERK: For å unngå overoppheting må tørre ingredienser ikke bli behandlet i mer enn 30 sekunder sammenhengende.

FORESLÅTTE BRUKSOMRÅDER

FORMÅL	ANBEFALT BEHOLDER	TYPE MAT
Hakking	0.5L 0.7L	Nøtter Sjokolade
Riving	0.5L	Ost Brødsmuler
Miksing	0.5L 0.7L	Røre Dipp
Sauser	0.7L 1.0L	Eddiker Salat dressinger Enkle sauser
Frossenblandinger	0.5L 0.7L 1.0L	Isbiter Frossen frukt Iskrem
Næringsrike Juicer/Smoothier	0.5L 0.7L 1.0L	Frukt Grønnsaker Salater

FORSIKTIG: IKKE PRØV å behandle tørre ingredienser uten å tilsette væske i beholdere. Dette produktet er ikke ment for tørrblending.

Hvordan rengjøre

FORSIKTIG: Sørg for at motordelen er tatt ut av kontakten før du setter på eller tar av tilbehør, samt før rengjøring.

MERK: Vent til blenderen har kjølt seg tilstrekkelig ned før rengjøring.

FORSIKTIG: IKKE senk motordelen i vann eller annen væske, og sett den ikke inn i oppvaskmaskinen.

1. Ta alle deler fra hverandre.
2. Rengjør motordelen med en lett fuktig klut, og tørk av.
3. Sett beholderen i oppvaskmaskinen. Sett lokk og tilbehør i den øverste skuffen i oppvaskmaskinen. Vær forsiktig når du håndterer knivbladene, ettersom bladene er veldig skarpe.
4. Når mulig, skyll delene umiddelbart etter bruk for å gjøre rengjøringen lettere.
5. Lagre produktet på et kjølig og tørt sted.

MERK:

Du kan også rengjøre beholderne ved å fylle beholderen til Max-linjen med varmt vann og en dråpe oppvaskmiddel, plassere knivbladene på beholderen, og pulse blenderen noen ganger. Ikke fyll vann over Max-linjen i beholderen, for da vil det flyte over. Når den er rengjort, fjern beholderen fra motordelen. Skyll av beholderen, tilbehør og lokk under rennende vann. La alle delene tørke før lagring.

Ikke bruk skurebørster, rengjøringsmidler med slipeagenter, eller sterke væsker som bensin, alkohol eller aceton for å rengjøre apparatet.

Tips:

- Bruk en liten børste (ikke inkludert) for å fjerne rester av mat som har satt seg fast under knivbladene.
- Hvis matrester tørker på innsiden av beholderen, fyll koppen omtrent 2/3 full med varmt vann og sett på knivbladene. Sett beholderen og knivbladene på motordelen og kjør i gang apparatet for omtrent 20-30 sekunder for å løsne biter som har satt seg fast. Gjenta med rent vann fra kranen. Tøm blenderen og tørk godt.

FORSIKTIG: Ikke forsøk å løsne knivbladene fra basen sin for rengjøring.

How to store

1. Lagre apparatet stående. Ikke sett noe oppå. Lagre beholderne og resten av tilbehøret ved siden av apparatet, der det ikke vil bli skadet eller forårsake skade.
2. Fjern og tøm beholderen, og sørg for at det ikke sitter mat fast i knivbladene.
3. La apparatet kjøle seg ned i omtrent 30 minutter.
4. Re-installer beholderen på basen, og sett apparatet i støpselet igjen.
5. Fortsett å bruke apparatet som tidligere, og sørg for å ikke overskride maksimumsmengden på beholderen.

PROBLEM	MULIGE ÅRSAKER & LØSNINGER
Motoren starter ikke, eller tilbehør roterer ikke.	For beholderne, sørg for at merkene er plassert i sporene, og vridd med klokken.
Mat blir ujevnt hakket.	Enten hakker du for mye mat på en gang, eller så pulser du ikke ordentlig. Reduser mengden mat i beholderen.
Mat blir hakket for fint, eller blir for vått.	Maten har blitt for mye behandlet. Kjør blenderen på kort tid om gangen for best resultat.
Du får ikke snø fra isbiter.	Bruk is rett fra fryseren for det beste resultatet. Prøv å bruke korte perioder istedenfor lange. Sørg for at beholderen er helt tørr før du har isen i.
Beholderen lekker.	Sørg for at lokket og knivbladene er korrekt montert på beholderen. Lekkasje kan oppstå hvis merkene ikke korresponderer når tilbehøret skrues på beholderen. Skru lokket godt til med klokken.
Enheten lar seg ikke skru på.	Sjekk at kontakten står i. Sjekk at knivbladene er ordentlig satt på beholderen, og at merkene stemmer overens.
Enheten lar seg ikke skru av.	Ta kontakten ut, og ring kundeservice for assistanse.
Det blander seg ikke bra nok.	Puls ingrediensene for det beste resultatet. Press beholderen ned i korte intervaller for jevn miksing og hakking. For frosne ingredienser, puls på korte intervaller av 2-5 sekunder og repeter.
Lokk og knivbladene vil ikke sette seg ordentlig på beholderen .	Sett beholderen på en jevn overflate. Plasser lokket eller knivbladene på toppen av beholderen og plasser trådene sånn at lokket/bladene ligger flatt på beholderen. Vri med klokken så lokket/bladene skrur seg jevnt på inntil du har en tett forsegling.

Korrekt avfallshåndtering

Dette symbolet på produktet eller i instruksjonene betyr at det skal kastes separat fra annet husholdningsavfall når det ikke virker lenger. Det finnes leveringspunkter og gjenbruksstasjoner som skal håndtere denne typen avfall. Kontakt lokale myndigheter eller forhandler for mer informasjon.



Champion®
 Makadamgatan 14 | 254 64 Helsingborg | Sweden
 info@championnordic.se
 Designed in Sweden | Assembled in China



Ainoastaan kotikäyttöön

Sähkölaitetta käytettäessä tulee aina noudattaa turvallisuuteen liittyviä varotoimia, mukaanlukien seuraavat:

1. **VAROITUS!** Suojataksesi itsesi sähköiskuilta älä upota laitetta tai annan sen virtajohdon osua veteen tai muuhun nesteeseen.
2. Tätä laitetta ei ole tarkoitettu sellaisten henkilöiden (kuten lasten) käyttöön, joilla on alentuneet fyysiset, aistilliset tai henkiset kyvyt tai puutteelliset tietotaidot, ellei heistä vastuussa oleva henkilö valvo heitä tai ole antanut heille ohjeita laitteen käyttöön.
3. **ÄLÄ** anna pienten lasten käyttää laitetta tai pitää sitä leluna. Tarkka valvonta on välttämätöntä aina, kun mikä tahansa laite on joko lasten käytössä tai käytössä lähellä lapsia.
4. Älä koskaan jätä laitetta päälle ilman valvontaa.
5. Irrota virtajohto pistorasiasta, kun laite ei ole käytössä, kun laitetta kootaan tai puretaan sekä ennen laitteen puhdistusta. Irrottaaksesi johdon, ota kiinni sen pistokeosasta ja vedä se irti pistorasiasta. Älä koskaan vedä johdosta.
6. **ÄLÄ** väärinkäytä virtajohtoa. Älä koskaan kanna laitetta virtajohdosta tai kisko siitä irrottaaksesi laitteen pistorasiasta, vaan irrota laite aina vetämällä pistokeosasta.
7. **ÄLÄ** käytä mitään laitetta, jonka virtajohto tai pistokeosa on vioittunut, tai jos laite ei toimi kunnolla, tai se on pudotettu tai vioittunut jollain tavalla.
8. Jos virtajohto on vioittunut, se täytyy vaihtaa joko valmistajan, sertifioidun myyntiedustajan tai muun yhtä lailla pätevän henkilön toimesta, jotta välttyään vahingoilta.
9. **ÄLÄ** anna virtajohdon roikkua pöydän tai tason yli äläkä anna sen koskea kuumiin pintoihin, kuten hellaan.
10. Käytä laitetta aina kuivalla ja tasaisella alustalla. Vältä käyttämästä tiskialtaassa, tiskipöydällä ja epätasaisten pintojen päällä.
11. Pidä kädet, hiukset, vaatteet sekä ruokailuvälineet poissa kulhosta laitteen ollessa käynnissä välttääksesi henkilövahingot tai laitteen rikkoutumisen. Kaavinta voi käyttää, mutta vain laitteen ollessa sammutettu.
12. **VAROITUS:** Leikkuuterät ovat teräviä, joten käsittele niitä varoen. Kun käsittelet teriä, pidä aina kiinni teräosan pohjasta.
13. Vältä kontaktia liikkuviin osiin.
14. **ÄLÄ** yritä teroittaa teriä.
15. **ÄLÄ** käytä laitetta, jos teräkokooppa on taipunut tai vioittunut.
16. Välttääksesi vammat, älä koskaan laita teräosaa paikalleen ilman oikeaa liitintä.
17. **ÄLÄ** käytä tätä laitetta minkään kuumen tason (kuten kaasun- tai sähköhellan tai kuumen uunin) päällä tai läheisyydessä.
18. Sellaisten lisälaitteiden ja tarvikkeiden, joita valmistaja ei suosittele tai myy, käyttäminen ei ole suotavaa tulipalon, sähköiskun tai henkilövammojen mahdollisuuden vuoksi.
19. **ÄLÄ** irrota kulhoa moottorijalustasta laitteen ollessa käynnissä.
20. Välttääksesi loukkaantumisriskin, **ÄLÄ KOSKAAN** käytä laitetta ilman, että leikkuuterät ovat paikoillaan; **ÄLÄ YRITÄ** ohittaa lukkomekanismia; varmista, että liitin on kunnolla paikallaan, ennen kuin käynnistät laitteen.
21. **ÄLÄ** altista kulhoja rajuille lämpötilan vaihdoksille.
22. **VAROITUS:** Älä työstä laitteella kuumia ruokia tai juomia.
23. **ÄLÄ** ylitäytä.
24. **ÄLÄ** käytä laitetta tyhjänä.

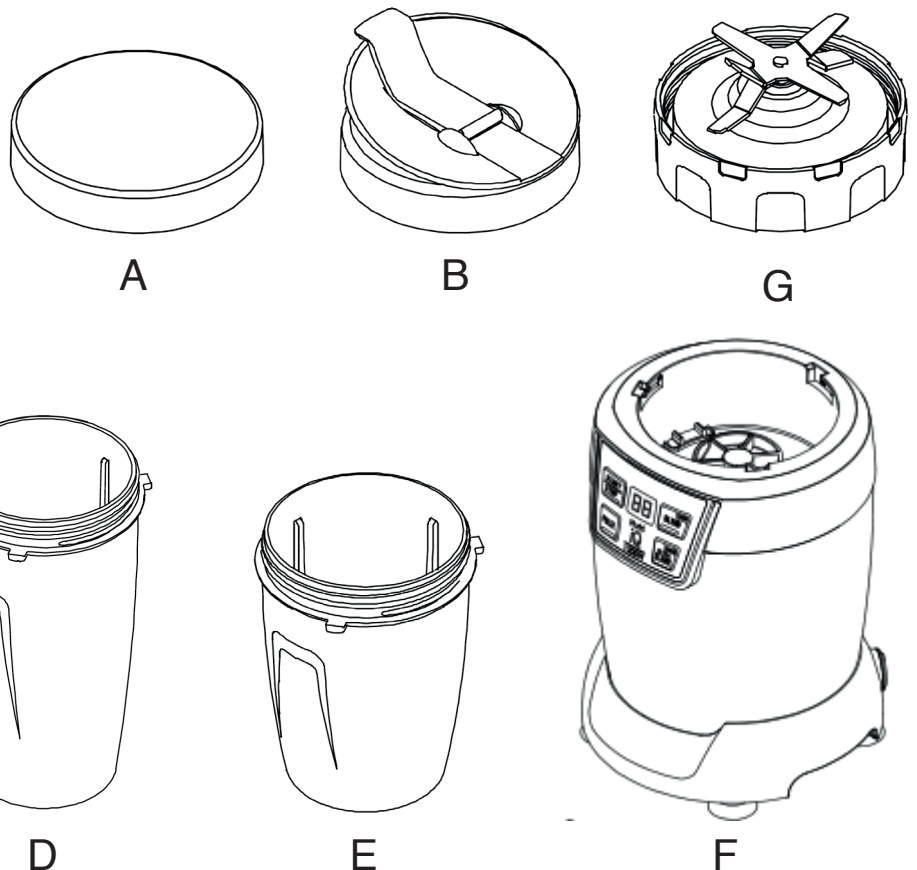
25. Jos laite ylikuumenee, lämpötilakatkaisin aktivoituu ja sammuttaa laitteen. Resetoidaksesi laitteen irrota se pistorasiasta ja anna jäähtyä noin puoli tuntia, ennen kuin käytät sitä uudelleen.
26. Tuote on tarkoitettu ainoastaan kotikäyttöön. Älä käytä laitetta mihinkään muuhun, kuin sen käyttötarkoitukseen. Älä käytä ulkona.
27. Laitteen lisätarvikkeita ei ole tarkoitettu käytettäväksi mikroaaltouunissa. Älä laita kulhoa tai kanta mikroon, sillä tämä voi johtaa niiden rikkoutumiseen.
28. Varmista, että laitteen ilmoitettu jännite vastaa pistorasian kestävä jännitettä, ennen kuin kytket laitteen.
29. Älä koskaan upota moottorijalustaa veteen tai muuhun nesteeseen, äläkä pese sitä juoksevan veden alla. Käytä laitteen puhdistamiseen ainoastaan kosteaa liinaa.
30. Irrota laite pistorasiasta heti käytön jälkeen.
31. Pidä laite lasten ulottumattomissa.
32. Irrota laitteen virtajohto pistorasiasta aina ennen puhdistuksen aloittamista.
33. Vältä vaaratilanteet kokoa laite aina ohjeiden mukaisesti.
34. Varmista, että leikkuuterät on kiinnitetty turvallisesti liittimiin, ennen kuin kiinnität ne moottoriyksikköön.
35. Älä yritä korjata tai purkaa laitetta.
36. VAROITUS: Jatkojohtoja ei suositella käytettäväksi tämän tuotteen kanssa.
37. Sästä nämä ohjeet myöhempää käyttöä varten.

TEKNISET TIEDOT

Jännite:	220~240V 50/60Hz
Teho:	1200W
Kulhojen tilavuudet:	0.5L, 0.7L, 1.0L

TUTUSTU LAITTEESEESI

- A. Kansi
- B. Sip & Seal -kansi
- C. 1.0L kulho
- D. 0.7L kulho
- E. 0.5L kulho
- F. Moottorijalusta
- G. Leikkuuterät



HUOM: Liittimet ovat vaihdettavissa.

Tehosekoitin on tehokas ja innovatiivinen työväline kompaktilla muotoilulla ja huippuluokan suorituskyvyllä. Se on loistava jään murskaamiseen, paloitteluun, sekoittamiseen sekä hivenaineiden ja vitamiinien jauhamiseen. Valmista juomasi ja ota se mukaan kätevien Sip & Siel -kansien avulla, tee maukkaita juomia silloin, kun on kiire lähteä ulos! Parhaat tulokset saat Pulse-toiminnon avulla.

OMINAISUUDET

Käyttöliittymä:

- **START/STOP:** Paina kerran käynnistääksesi tasaisen työstön, paina uudestaan pysäyttääksesi laitteen. Ajastin laskee sekunteja 60 sekuntiin asti.
- **PULSE:** Toimii ainoastaan alaspainettuna. Lyhyet painallukset saavat aikaan lyhyitä sykähdyksiä. Ajastin laskee sekunteja napin ollessa alas painettuna.
- **NUTRI-iQ BLEND:** Sekoittaa tuoreet ja pehmeämmät ainekset tasaiseksi lopputulokseksi. Ajastin laskee taaksepäin.
- **NUTRI-iQ ULTRA BLEND:** Sekoittaa jäisiä, säikeisiä tai kovia aineksia sileäksi lopputulokseksi. Ajastin laskee taaksepäin.

ENNEN ENSIMMÄISTÄ KÄYTTÖÄ

Ennen kuin käytät laitetta ensimmäistä kertaa, on tärkeää, että luet ja seuraat tässä ohjekirjassa olevia ohjeita, vaikka olisitkin tottunut käyttämään tämän kaltaisia laitteita.

1. Laite on suunniteltu normaaliin kotitalouspistorasiaan. Laitetta ei ole tarkoitettu teollisuuskäyttöön tai kaupalliseen käyttöön.
2. Ota laite pakkauksesta esille varovasti. Hävitä kaikki pakkausmateriaalit tai säästä ne myöhempää käyttöä varten.
3. Varmista, että sähköverkkosi jännite on sama, kuin mitä laitteella on ilmoitettu olevan.
4. Irrota muoviset lisätarvikkeet ja pese ne lämpimässä saippuavedessä. Kuivaa huolellisesti ja laita takaisin. Pyyhi moottorijalustan ulko-osat kostealla sienellä tai liinalla. Älä käytä hankaavia puhdistusaineita.

TÄRKEÄÄ: Liittimet ovat vaihdettavissa.

VAROITUS: Leikkuuterät ovat terävät! Käytä erityistä huolellisuutta käsitellessäsi teräosia. Ota aina kiinni niiden alustasta, älä koskaan itse teristä.

TÄRKEÄÄ: Älä koskaan käytä laitetta tyhjänä.

VAROITUS: Älä koskaan yritä irrottaa kulhoa laitteen ollessa käynnissä.

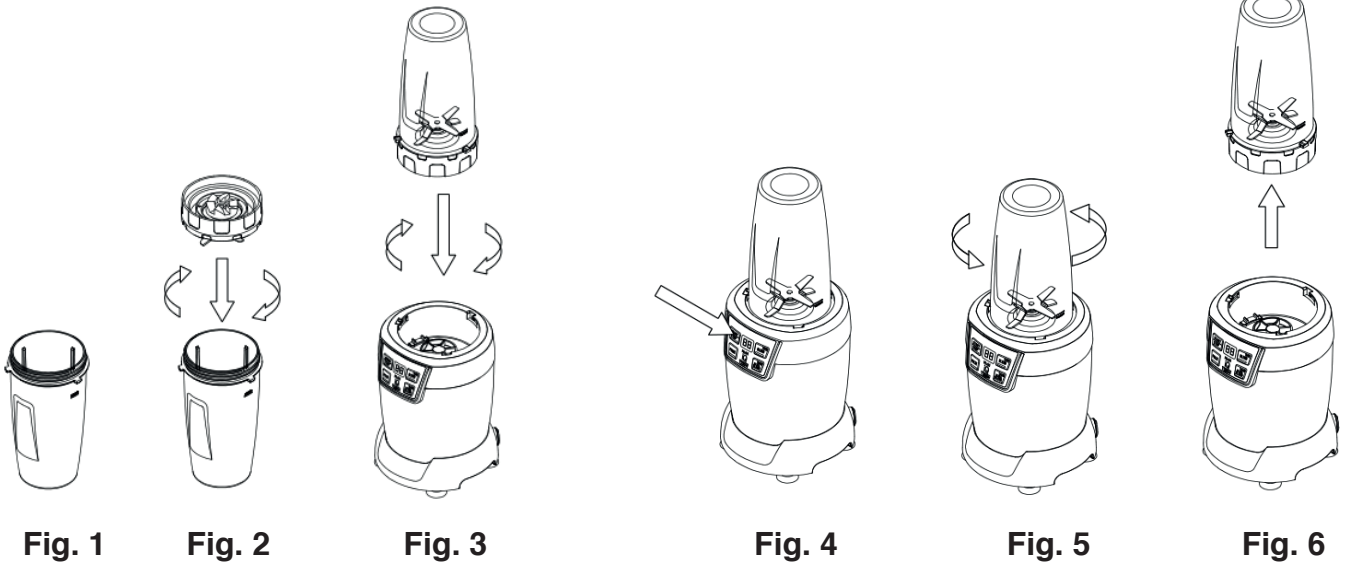
VAROITUS: Älä koskaan jätä käynnissä olevaa laitetta vartioimatta.

5. Irrota kaikki pakkausmateriaalit ja tarrat laitteesta.

6. Pese kannet, kulhot ja liittimet lämpimällä saippuavedellä käyttäen apuna pehmeää sientä/liinaa. Ole varovainen pestessäsi leikkuuteriä, sillä ne ovat hyvin terävät. Huuhtelee ja kuivaa huolellisesti. Kulhot, kannet ja liittimet ovat kaikki astianpesukoneen kestäviä. Varmista, että kaikki liittimet on irrotettu kulhoista, ennen kuin laitat ne astianpesukoneeseen.

Kokoaminen

Purkaminen



TÄRKEÄÄ: Aseta moottorijalusta puhtaalle, kuivalle ja tasaiselle alustalle kuten keittiötasolle tai pöydälle.

1. Varmista, että moottorijalusta on kytketty virtalähteeseen käyttöä varten. Mitkään valot eivät syty.
2. Laita ainekset kulhoon.

HUOM:. Älä ylitäytä! Estääksesi läikkymisen, älä lisää aineksia yli "Max"-täyttörajan.

3. Kiinnitä teräosa kulhoon ja kierrä sitä, kunnes kiinnitys on tiivis. (Kuva 1.)
4. Käännä kulho ympäri ja laita se moottorijalustalle, kulhon hakaset kohdistettuna moottoritason kanssa. Käännä kulhoa myötäpäivään, kunnes tunnet sen naksautuvan paikalleen. Laitte on käyttövalmis. (Kuva 2.)
5. Paina jotakin nappuloista käynnistääksesi laitteen. (Kuva 3.)

HUOM: Käyttäessäsi Nutri-iQ asetuksia, laite toimii käyttäen sykäyksiä, taukoja ja jatkuvaa sekoitusta. Tauot antavat kulhon ainesten asettua. Kun ajastin saavuttaa "0":n, se pysäyttää itse itsensä.

6. Irrottaaksesi kulhon varmista, että moottori on pysähtynyt. Käännä kulhoa vastapäivään (Kuva 4) ja vedä suoraan ylöspäin irrottaaksesi sen. (Kuva 5.)
7. Käännä kulho pystyyn ja irrota teräosa kääntämällä sitä vastapäivään. Säilytä teräosa kiinnitettyinä tyhjiin kulhoon, kun laite ei ole käytössä.
8. Kiinnitä Sip & Seal -kansi kulhoon nauttiaksesi juomasi menossa. Paina korkkiosa tiukasti kiinni aukkaan, jotta kiinnitys on tiivis. Korkkiosa avautuu painettaessa taaksepäin.
9. Varmista, ettei moottorijalusta ole kytkettynä virtalähteeseen, kun laitetta ei käytetä.
10. Irrottaaksesi moottorijalustan kallista sitä eteenpäin takaosasta vapauttaaksesi imukupit.

TURVAOMINAISUUDET

Sisäänrakennettu turvalukko

Tehosekoittimessa on sisäänrakennettu turvalukko-ominaisuus. Se varmistaa, että laite voidaan käynnistää ainoastaan silloin, kun kulho ja siihen kiinnitetty leikkuuteräosa ovat kunnolla kiinnitettynä moottorijalustaan. Jos laite on koottu kunnolla, sisäänrakennettu turvalukko avautuu.

TÄRKEÄÄ: Jokaisen terän kiinnitysosassa on silikoninen tiiviste, minkä ansiosta terät istuvat ilmatiivisti kiinni kulhoihin. Tarkista aina pestyäsi teräosan tiskikoneessa sekä ennen jokaista käyttöä, että tiiviste on paikallaan, sillä joidenkin tiskikoneiden lämpö voi aiheuttaa tiivisteiden löystymisen.

VAROITUS: Älä käytä laitetta enempää kuin 60 sekuntia kerrallaan. Anna moottorin levätä kolmen minuutin ajan ennen kuin jatkat.

HUOM: Jos terä ei pyöri tasaisesti, pysäytä laite ja lisää hieman nestettä tai vähennä kulhossa olevien aineiden määrää.

HUOM: Jotta laite ei ylikuumenisi, kuivia aineksia ei saa työstää enempää kuin 30 sekuntia kerrallaan.

EHDOTETTUJA KÄYTTÖTAPOJA

KÄYTTÖTAPA	EHDOTETTU KULHO	AINEKSET
Paloittelu	0.5L 0.7L	Pähkinät Suklaa
Raastaminen	0.5L	Juusto Leivänmurut
Sekoittaminen	0.5L 0.7L	Taikinat Dipit
Kastikkeet	0.7L 1.0L	Viinietikkakastikkeet Salaatinkastikkeet Yksinkertaiset kastikkeet
Jäiset sekoitukset	0.5L 0.7L 1.0L	Jää Jäiset hedelmät Jäätelö
Terveelliset mehut/smoothiet	0.5L 0.7L 1.0L	Hedelmät Vihannekset Lehtivihreät

VAROITUS: ÄLÄ työstä kuivia aineksia ilman vettä. Tätä tuotetta ei ole tarkoitettu kuivasekoitukseen.

Kuinka puhdistaa laite

VAROITUS: Varmista, että moottorijalusta on irrotettu pistorasiasta, ennen kuin lisäät tai poistat yhtään lisäosia sekä ennen siivoamista.

HUOM: Odota, että tehosekoitin on jäähtynyt tarpeeksi, ennen kuin puhdistat sen.

VAROITUS: ÄLÄ upota moottorijalustaa veteen tai mihinkään nesteeseen, äläkä laita sitä tiskikoneeseen.

1. Erottele/irrota kaikki osat toisistaan.
2. Puhdista moottorijalusta kostealla rätillä ja pyyhi se kuivaksi.
3. Laita kulhot tiskikoneeseen. Laita kannet ja liittimet koneen ylätasolle. Ole varovainen käsitellessäsi leikkuuteriä, sillä ne ovat hyvin terävät.
4. Mikäli mahdollista, huuhtelee osat heti käytön jälkeen helpottaaksesi myöhempää siivousta.
5. Säilytä laitetta viileässä ja kuivassa paikassa.

HUOM:

Voit myös puhdistaa kulhot täyttämällä kulhon lämpimällä vedellä Max-täyttöviivaan asti, lisäämällä hieman astianpesuainetta, kiinnittämällä teräosan paikoilleen ja käyttämällä laitetta muutaman kerran sykäyksittäin. Älä täytä kulhoa Max-täyttöviivan yli, sillä silloin vesi vuotaa yli. Kun kulho on puhdas, irrota se moottorijalustasta. Huuhtelee kulho, liitinosa ja kansi juoksevan veden alla. Anna kaikkien osien kuivua, ennen kuin laitat ne säilöön.

Älä käytä laitteen puhdistamiseen hankaustyynyjä, hankaavia puhdistusaineita tai voimakkaita nesteitä kuten petrolia, alkoholia tai asetonia.

Vinkkejä:

- Käytä pientä harjaa (ei sisälly pakkaukseen) poistaaksesi ruoan jäämät terien alta.
- Jos ruoan jäämät ovat kuivuneet kulhon sisälle, täytä noin 2/3 kulhosta lämpimällä vedellä ja kiinnitä leikkuuterät paikoilleen. Kiinnitä kulho ja leikkuuterät -yhdistelmä moottorijalustaan ja käytä konetta noin 20-30 sekuntia irrottaaksesi kiinni jääneet ainekset. Toista uudelleen, mutta käytä kirkasta hanavettä. Tyhjennä sekoitin ja kuivaa se kunnolla.

VAROITUS: Älä yritä irrottaa teriä niiden alustasta puhdistusta varten.

Säilytystavat:

1. Säilytä laitetta pystyasennossa. Älä laita mitään sen päälle. Säilytä kulhoja ja muita lisäosia laitteen vieressä, missä ne eivät voi vioittua eivätkä aiheutta vahinkoja.
2. Irrota ja tyhjennä kulho ja varmista, että yhtään ruokaa ei ole jäänyt kiinni teräosiin.
3. Anna laitteen jäähtyä noin 30 minuuttia.
4. Laita kulho takaisin paikoilleen moottorijalustaan ja kytke laite pistorasiaan.
5. Jatka laitteen käyttöä kuten ennenkin varmistaen, ettet ylitä kulhon suositeltua suurinta täyttöastetta.

RATKAISUJA YLEISIMPIIN ONGELMIIN

ONGELMAT	MAHDOLLISIA SYITÄ & RATKAISUJA
Moottori ei käynnisty tai kiinnike ei pyöri	Varmista, että kulhon hakaset ovat kohdistettuina moottorijalustan kanssa ja kulho on käännetty myötäpäivään.
Ruoka on epätasaisesti pilkottua	Joko olet paloittelemassa liikaa ruokaa kerrallaan tai et käytä konetta sykäyksittäin oikein. Vähennä ruuan määrää kulhossa.
Ruoka on pilkottu liian pieneksi tai liian vetistä	Ruokaa on sekoitettu liikaa. Käytä konetta lyhyemmän aikaa saadaksesi paremman tuloksen.
Jääkuutioista ei saa tarpeeksi hienoa murskaa	Saadaksesi parhaan tuloksen käytä suoraan pakkasesta otettua jäätä. Kokeile käyttää konetta lyhyemmän aikaa.
Kulho vuotaa	Varmista, että kulho on täysin kuiva, ennen kuin lisäät jään.
Laite ei käynnisty	Varmista, että kansi tai leikkuuterät on asennettu kiinni kulhoon oikein. Vuotamista voi syntyä, jos kansi on kiinnitetty kulhoon vinosti. Käännä kantta tiukasti myötäpäivään.
Laite ei sammu	Varmista, että laite on kiinnitetty pistorasiaan.
Laite ei sekoita kunnolla	Varmista, että terät on kiinnitetty kulhoon kunnolla ja että kiinnitys ei ole vinossa.
Kansi/teräosa ei istu kulhoon kunnolla	Irrota laitteen virtajohto pistorasiasta ja soita laitteen valmistajan asiakaspalveluun.

Oikea hävittäminen

Tämä symboli tuotteessa tai ohjeissa tarkoittaa, että laite täytyy hävittää erillään muista talousjätteistä, kun se ei enää toimi. EU:n sisällä on jätteille erillisiä kierrätysjärjestelmiä. Lisätietojen saamiseksi ota yhteyttä paikallisiin viranomaisiin tai jälleenmyyjäsi.



CHAMPION

Champion®

Makadamgatan 14 | 254 64 Helsingborg | Sweden

info@championnordic.se

Designed in Sweden | Assembled in China

