

# LogiLink®

## Gas Spring Height Adjustable Overbed Table Cart

Art. No.: EO0041



### Large Sturdy Work Surface for Bed or Couch

With heavy-duty steel frame and gas springs to provide smooth and effortless height adjustment for any room environment. With locking casters you can move the table anywhere you like. Perfect to use at home, office and hospital.

Gas  
Spring

Height  
Adjustment

Heavy  
Duty  
Construction

Locking  
Casters

Cup  
Holder



\*The specifications and pictures are subject to change without prior notice.  
\*All trade names referenced are the registered trademarks of their respective owners.



EO0041



4 052792 067750

Made in China



### Recessed Cup Holder

Prevents liquids from falling or slipping during movement.



### Easy Squeeze Lever

Effortlessly to adjust the height of the tabletop.



### Locking Casters

For controlled mobility and stability.



### Eco-Friendly Particle Board

Features heavy-duty and moisture resistance (TSCA Title VI compliant).

### Adjustable Height From 71,2 to 106,2 cm

Offer maximum comfort and adaptability to multiple requirements.

### Sturdy Steel Construction

Better strength and durability.



\*The specifications and pictures are subject to change without prior notice.  
\*All trade names referenced are the registered trademarks of their respective owners.



EO0041

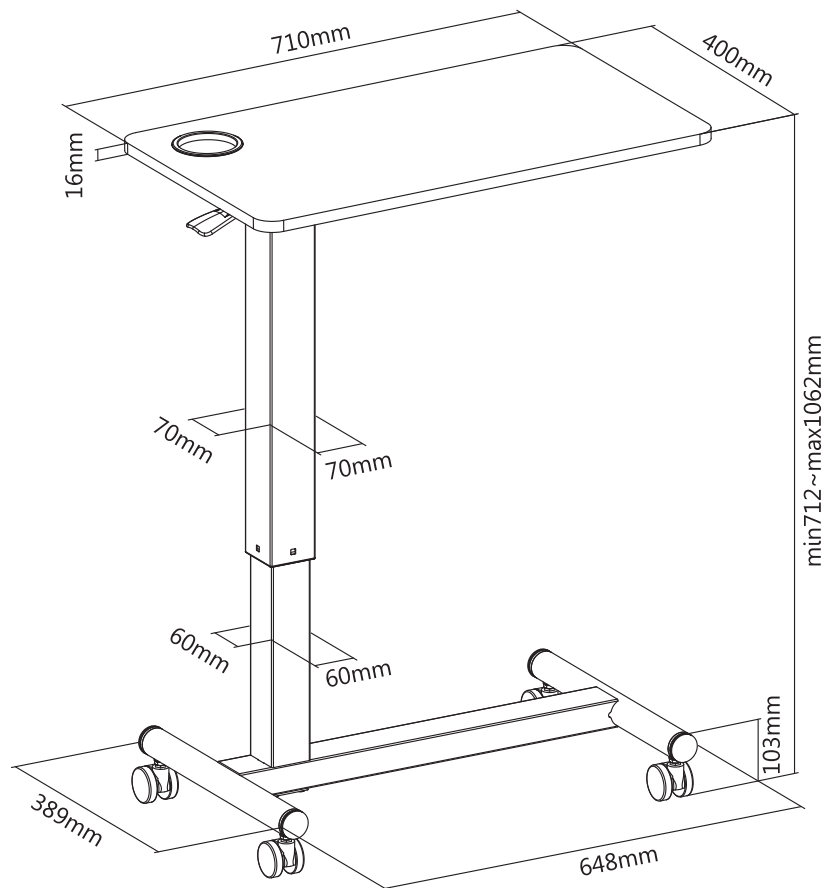


Made in China

## Specification:

Material	Particle board & melamine, steel, plastic
Worksurface Size	710 x 400 mm
Tabletop Thickness	16 mm
Tabletop Weight Capacity	7 kg
Height Range	712–1062 mm
Column Design	Reversed column
Column Segments	Two stage column
Casters	Yes
Product Dimension	710 x 400 x 712–1062 mm
Color	White

## Technical Drawing:



## Package Contents:

- » 1 x Gas Spring Overbed Table Cart
- » 1 x Screw Package
- » 1 x User Manual

## Package Information:

- » Packing Dimension: 780 x 465 x 222 mm
- » Packing Weight: 13,51 kg
- » Carton Dimension: 780 x 465 x 222 mm
- » Carton Q'ty: 1 pcs
- » Carton Weight: 13,51 kg



\*The specifications and pictures are subject to change without prior notice.  
\*All trade names referenced are the registered trademarks of their respective owners.



Made in China