



LogiLink®

Dual Monitor Desk Mount
for Monitors and Laptops
For 17–32" Monitors & 10–15.6" Laptops

Art. No.: BP0175



Ergonomic Solution for Home and Office

Combination of a monitor mount and laptop stand helps you free up your desk space. Extend, tilt and swivel for the best viewing angles.



*The specifications and pictures are subject to change without prior notice.
*All trade names referenced are the registered trademarks of their respective owners.

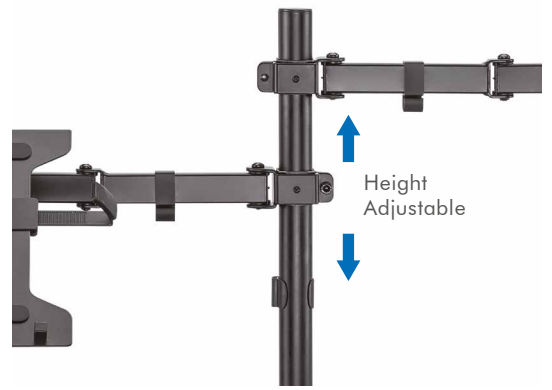
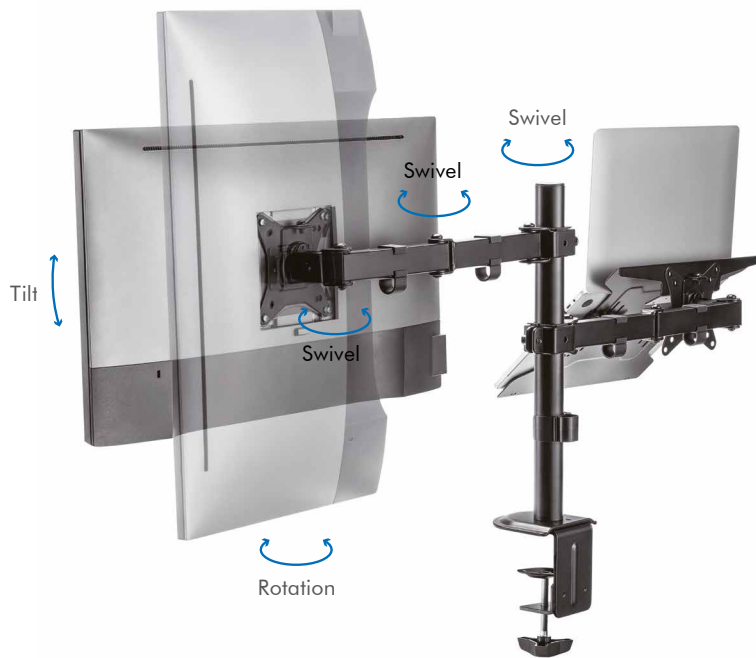


BP0175



4 052792 071214

Made in China



Create Your Ergonomic Workstation

Offers exceptional range of motion and height adjustments. Easily rotate, swivel & tilt for your desired viewing angle.

Free Up Your Work Space

Designed for space saving, clean up your workstation, so you can focus on what matters.



Multi-purpose tray for laptops, tablets or keyboard



Detachable VESA Plates



Cable Management



Clamp or grommet installation

Quick & Easy Installation

Mounting your monitor is a simple process with detachable VESA plates; includes integrated cable management.

Durable Construction

The high-quality steel mount with clamp or grommet mount ensures your laptop and monitor are safe and secure.

Specifications:

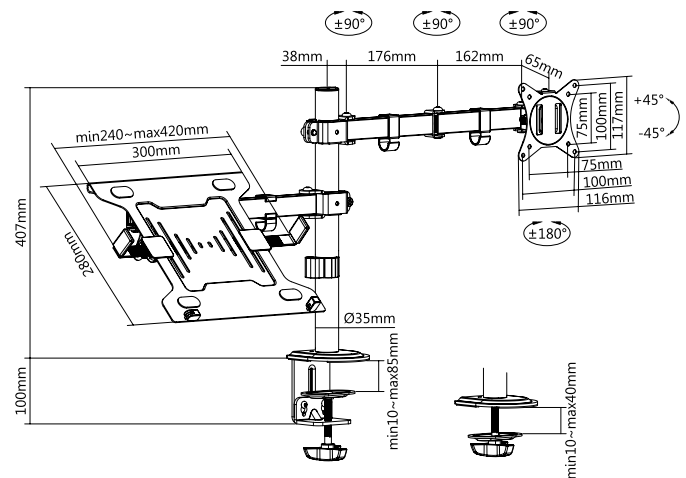
Screen Size	17–32"
Laptop Size	10–15.6"
Weight Capacity	Up to 9 kg monitor and 4 kg laptop
VESA Compatible	75x75, 100x100
Tilt Range	+45°/-45°
Swivel Range	+90°/-90°
Screen Rotation	+180°/-180°
Arm Full Extension	37.6 cm
Pole Height	40.7 cm
Quick Release VESA Plate	Yes
Cable Management	Yes
Materials	Steel, plastic
Installation Methods	Desk clamp or grommet mount
Suggested Desktop Thickness	Clamp: 1–8.5 cm, Grommet: 1–4 cm
Cable Management	Yes
Quick Release VESA Plate	Yes
Dimensions	95.9 x 31.9 x 56.1 cm
Color	Black

Package Contents:

- » 1 x Monitor Mount
- » 1 x Screw Package
- » 1 x User Manual

Package Information:

- » Packing Dimension: 430 x 303 x 123 mm
- » Packing Weight: 5.6 kg
- » Carton Dimension: 430 x 303 x 123 mm
- » Carton Q'ty: 1 pc
- » Carton Weight: 5.6 kg



*The specifications and pictures are subject to change without prior notice.
 *All trade names referenced are the registered trademarks of their respective owners.



Made in China