



# LogiLink®

Alumium Spring-Assisted  
Dual Monitor Desk Mount  
for 17-32" Flat & Curved Monitors

Art. No.: BP0177



The spring-assisted monitor desk mount allows you to tilt and swivel for the best viewing position. Also able to manage cables keeping everything organized.



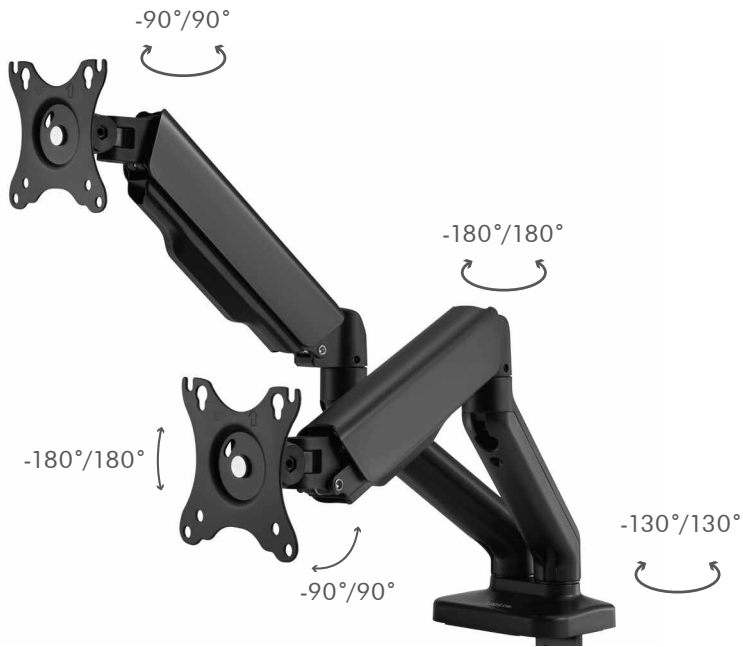
\*The specifications and pictures are subject to change without prior notice.  
\*All trade names referenced are the registered trademarks of their respective owners.



BP0177



Made in China



### Bringing the Best View Angle

Built-in spring-assisted mechanism to easily move up and down; while tilt or rotate the monitor to your desired viewing position.

### Quick & Easy Installation

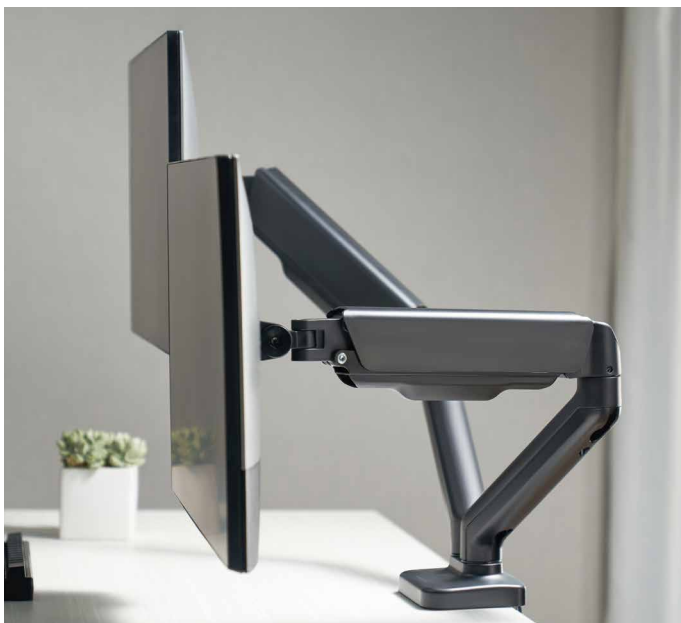


Quick release joint for easy assembly.



Adjustable spring tension mechanism ensures perfect weight balance for monitor.

Keyhole pattern on VESA plate for easy installation.



### Durable & Steady Construction

The high-quality mount ensures durability and stability; supporting monitor weights up to 9 kg each. Integrated cable management creates a clean and tidy appearance.



\*The specifications and pictures are subject to change without prior notice.  
\*All trade names referenced are the registered trademarks of their respective owners.



BP0177



Made in China

## Clamp or Grommet Mounting

The monitor mount can be installed with clamp or grommet mounting.



## Specifications:

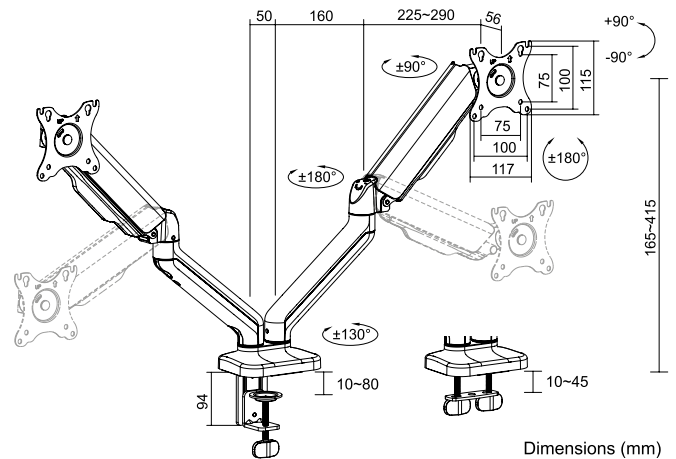
Screen Size	17–32"
Weight Capacity	Up to 9 kg per screen
VESA Compatible	75x75, 100x100
Arm Full Extension	45 cm
Tilt Range	+90°/-90°
Swivel Range	+90°/-90°
Screen Rotation	+180°/-180°
Materials	Aluminum, steel, plastic
Installation Methods	Desk clamp or grommet mount
Suggested Desktop Thickness	Clamp: 1–8 cm; Grommet: 1–4.5 cm
Cable Management	Yes
Dimensions	93.7 x 10.5 x 57 cm
Color	Black

## Package Contents:

- » 1 x Monitor Desk Mount
- » 1 x Screw Package
- » 1 x User Manual

## Package Information:

- » Packing Dimension: mm
- » Packing Weight: kg
- » Carton Dimension: mm
- » Carton Q'ty: pcs
- » Carton Weight: kg



\*The specifications and pictures are subject to change without prior notice.  
\*All trade names referenced are the registered trademarks of their respective owners.



Made in China