



# LogiLink®

## Full Motion TV Wall Mount

Art. No.: BP0114  
BP0115



Free up space while improving the overall design of your living room.



Tilt



Swivel



Extend

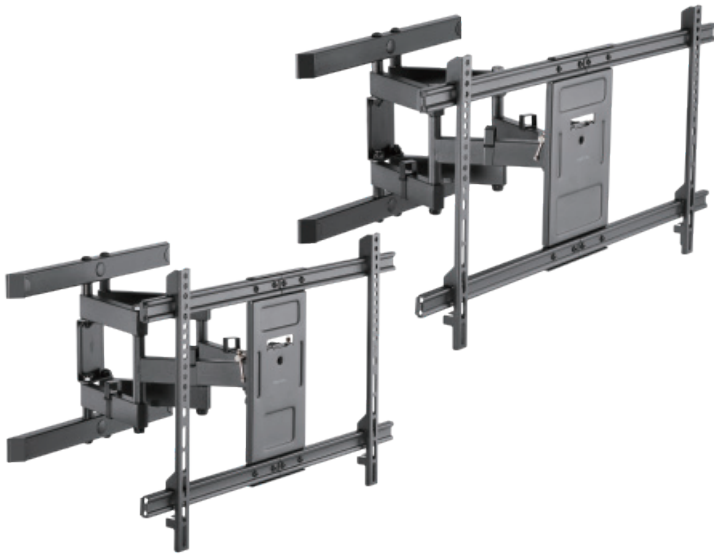


\*The specifications and pictures are subject to change without prior notice.  
\*All trade names referenced are the registered trademarks of their respective owners.

# LogiLink®

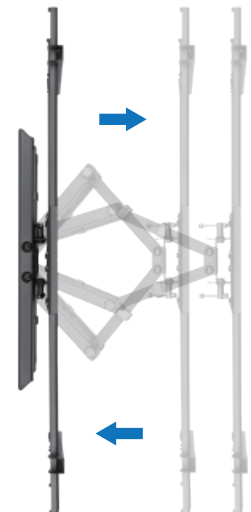
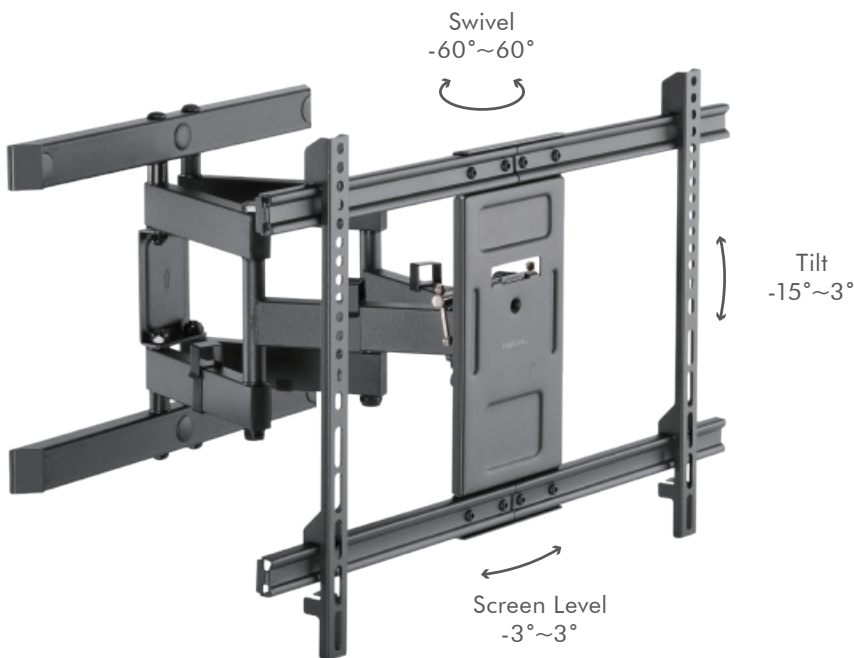
## Full Motion TV Wall Mount

Art. No.: BP0114  
BP0115

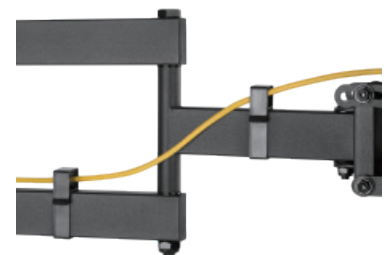


### Features:

- » Sturdy steel frame construction; a maximum capacity of 60kg
- » 77-428mm away from wall with tilting range: 3°~-15°, swivel range: 60°~-60°, and screen level: 3°~-3°
- » Built-in level adjustment ensures perfect positioning



Arm extension provides a wide range of viewing angles.



Cable management keeps everything organized.



\*The specifications and pictures are subject to change without prior notice.  
\*All trade names referenced are the registered trademarks of their respective owners.

# LogiLink®

## Full Motion TV Wall Mount

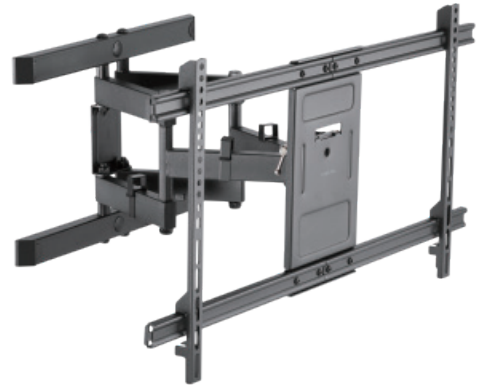
Art. No.: BP0114  
BP0115



### Specifications:



BP0114



BP0115

Screen Size	37"-80" flat/curved TVs	43"-90" flat/curved TVs
Weight Capacity	60kg	60kg
VESA Plate Compatible	200x200, 300x200, 300x300, 400x200, 400x300, 400x400, 600x400	300x200, 300x300, 400x200, 400x300, 400x400, 600x400, 800x400
Wall Clearance	77-428mm	77-428mm
Tilt	-15°~3°	-15°~3°
Swivel	-60°~60°	-60°~60°
Screen Level	-3°~3°	-3°~3°
Materials	Steel, Plastic, ABS	Steel, Plastic, ABS
Color	Black	Black
Dimensions	428 x 650 x 425mm	428 x 840 x 425mm
EAN Code	4052792060218	4052792060225

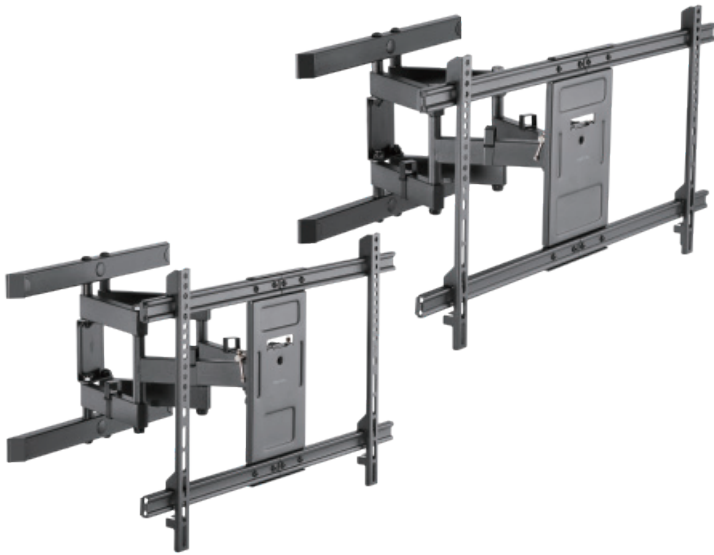


\*The specifications and pictures are subject to change without prior notice.  
\*All trade names referenced are the registered trademarks of their respective owners.

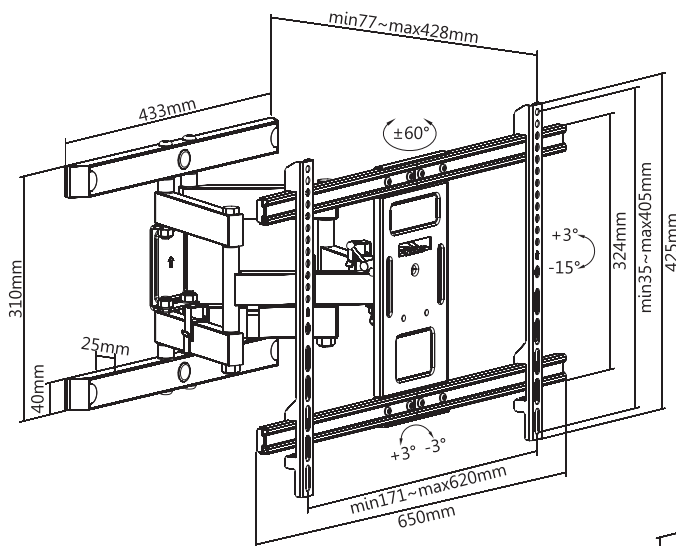
# LogiLink®

## Full Motion TV Wall Mount

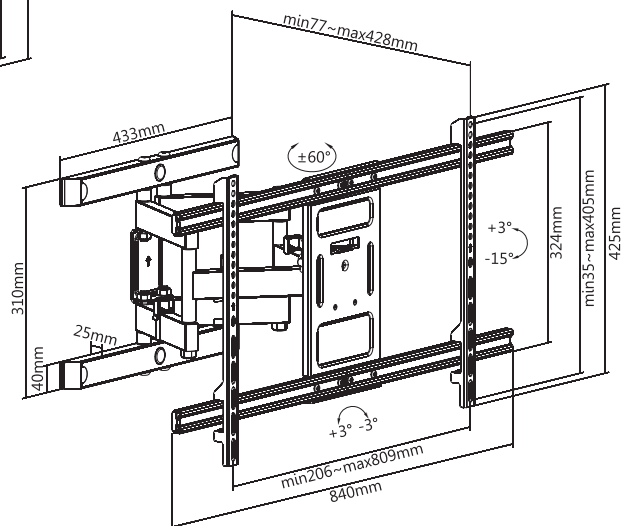
Art. No.: BP0114  
BP0115



**BP0114**



**BP0115**



### Package Contents:

- » 1 x TV Wall Mount
- » 1 x Screw Package
- » 1 x User Manual

### Package Information:

- » Packing Dimension: mm
- » Packing Weight: kg
- » Carton Dimension: mm
- » Carton Q'ty: pcs
- » Carton Weight: kg



\*The specifications and pictures are subject to change without prior notice.  
\*All trade names referenced are the registered trademarks of their respective owners.