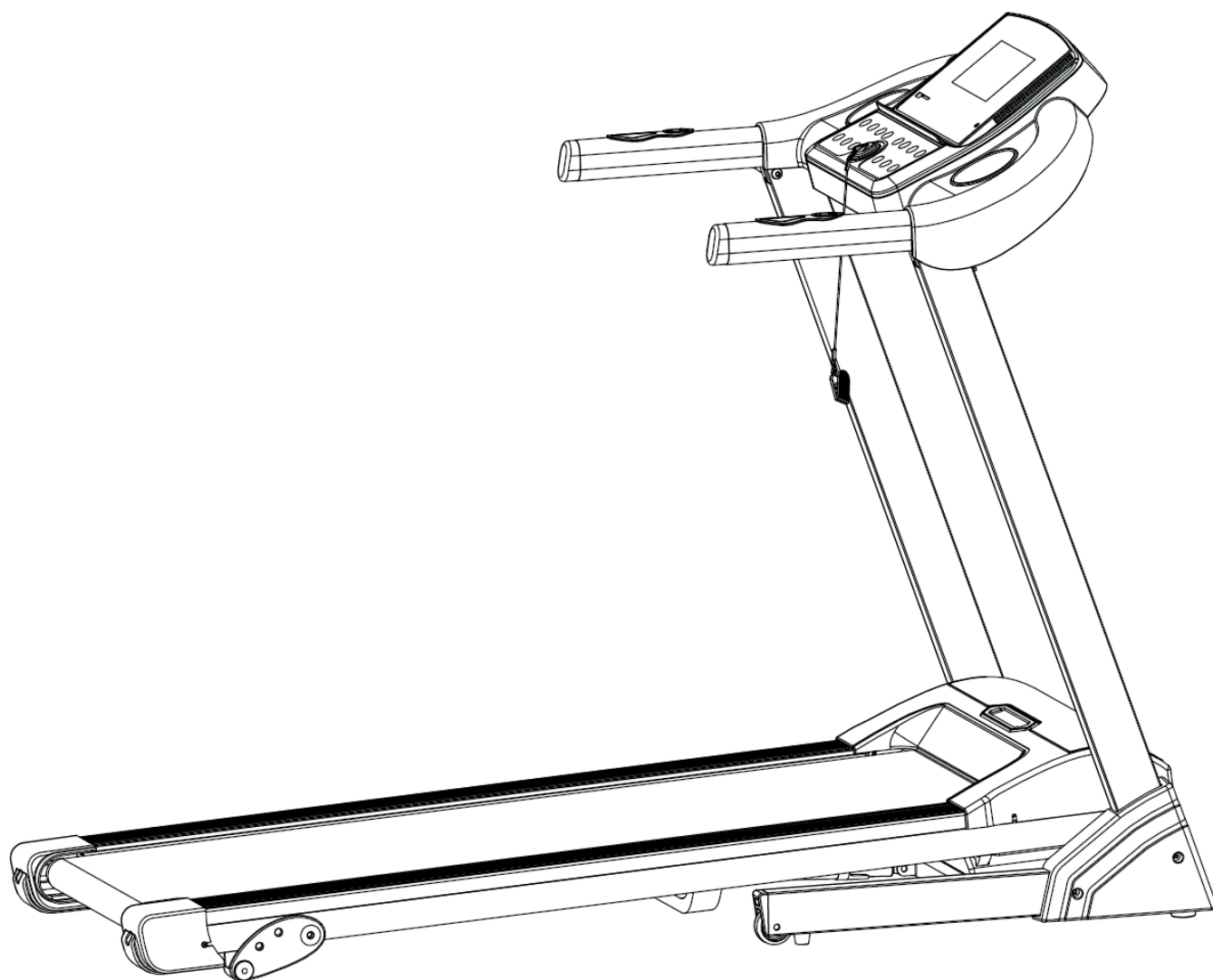


FRONTIER

FRB210

USER MANUAL



EN - English
SV - Svenska
DA - Danske
NO - Norsk
FI - Suomi

Read this Manual carefully before use

WARNING!

Read all instruction carefully before using this product. Retain this manual for future reference:

- When using this treadmill, keep attaching the safety pull pin rope to your clothes.
- When you are running, keep your hand swinging natural, stare frontward, never look down at your feet.
- Add the speed step by step when running.
- When emergency happens, take away the “emergent stop button” immediately.
- Leave the treadmill after the running belt stop stably.

Caution: Read the assembly instruction carefully, follow the instruction when assemble.

IMPORTANT SAFETY PRECAUTIONS

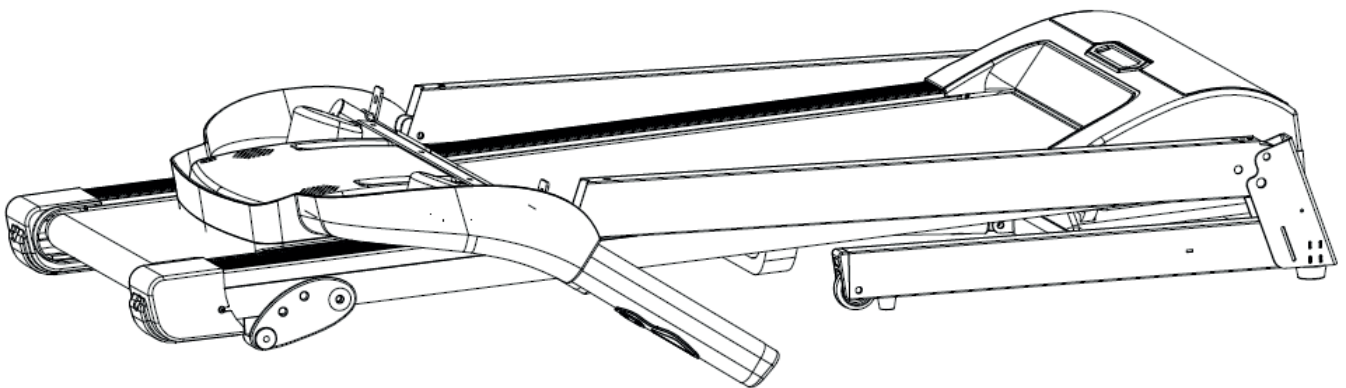
1. Before starting any exercise program, consult with your physician or health professional. To prevent injuries, warm up before exercise. The treadmill is intended for adults only.
2. Check to ensure that all the bolts locked.
3. Never put the treadmill in a wet/damp environment.
4. In order to prolong the life of this product, it is important to carry out continual maintenance.
5. **WARNING:** To avoid electric shocks, always unplug the machine before cleaning or service.
6. Never place the treadmill on a thick carpet to avoid damage to both carpet and product.
7. Be sure to have at least 1-meter distance to the nearest fixed object.
8. Never let small children use or be near the treadmill.
9. Keep your hands away from all moving parts.
10. Do not use the product if the electrical cord is damaged.
11. Keep the cord away from all warm surfaces (for example radiators)
12. This treadmill is intended for home use and is therefore not adapted to professional use.
13. Never disconnect the electrical cord when the belt is in motion.
14. Recommended temperature for use is 5-40 °C.
15. Cut off the power when the equipment is not used. When the power is cut off, do not pull the power cord to keep the wire unbroken.
16. Maximum weight of user: 100KGS.
17. Plug the power cord of the treadmill directly into a dedicated grounded circuit.
18. Position the treadmill on a clear, level surface. Do not place the treadmill on thick carpet as it may interfere with proper ventilation. Do not place the treadmill near water or outdoors.
19. Never start the treadmill while you are standing on the belt. After turning the power on and adjusting the speed control, there may be a pause before the walking belt begins to move, always stand on the foot rails on the sides of the frame until the belt is moving.
20. Wear appropriate clothing when exercising on the treadmill. Do not wear long, loose fitting clothing that may be caught in the treadmill. Always wear running or aerobic shoes with rubber soles.
21. Make sure the power supply is connected and the safety lock is effective before using the treadmill. Fit one side of the safety lock on the treadmill and clip the other side on your clothes or belt, which will enable you to pull off the safety lock promptly in an emergency.
22. Always hold the handrails when initially walking or running on the treadmill, until you are comfortable with the use of the treadmill.
23. Always attach the safety pull pin rope to your clothing when using the treadmill. If the **treadmill** should suddenly increase in speed due to an electronics failure or the speed being inadvertently increased, the treadmill will come to a sudden stop when the pull pin is disengaged from the console.
24. In case of any abnormality during the use process, please remove the safety lock immediately, grasping the handlebar and jumping onto the two edgings, then get off the treadmill after it stops.

25. When the treadmill is not being used, the power cord should be unplugged, and the safety pull pin removed.
26. If the supply cord is damaged, it must be replaced by the manufacturer, its service agent or similarly qualified persons in order to avoid a hazard.
27. Make sure the treadmill has stopped before folding. Please don't operate it after folding the treadmill.

Assembly

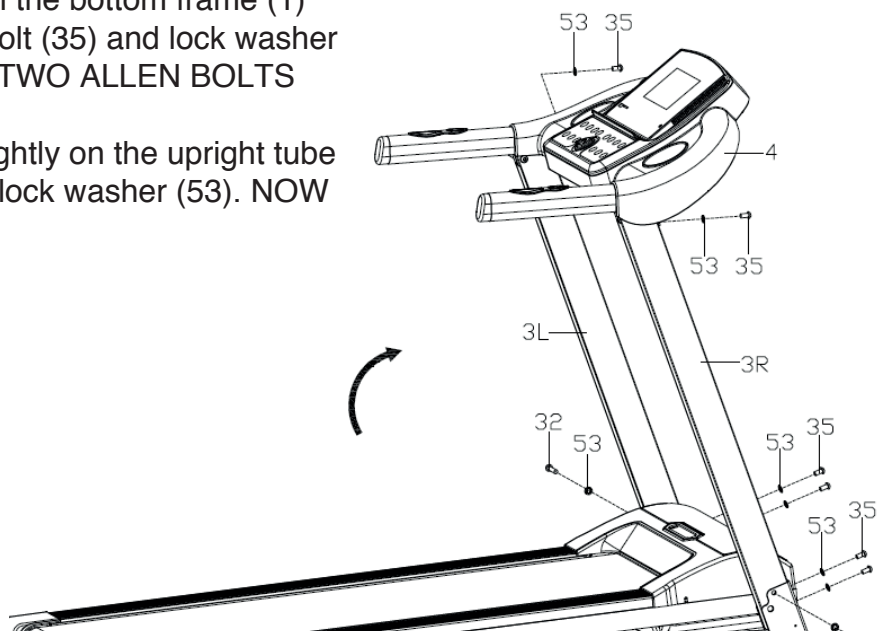
Step 1:

1. Open the package, take out all parts and place the main frame combining on the flat ground. (DO NOT CUT OFF THE PACKING STRAPS yet)



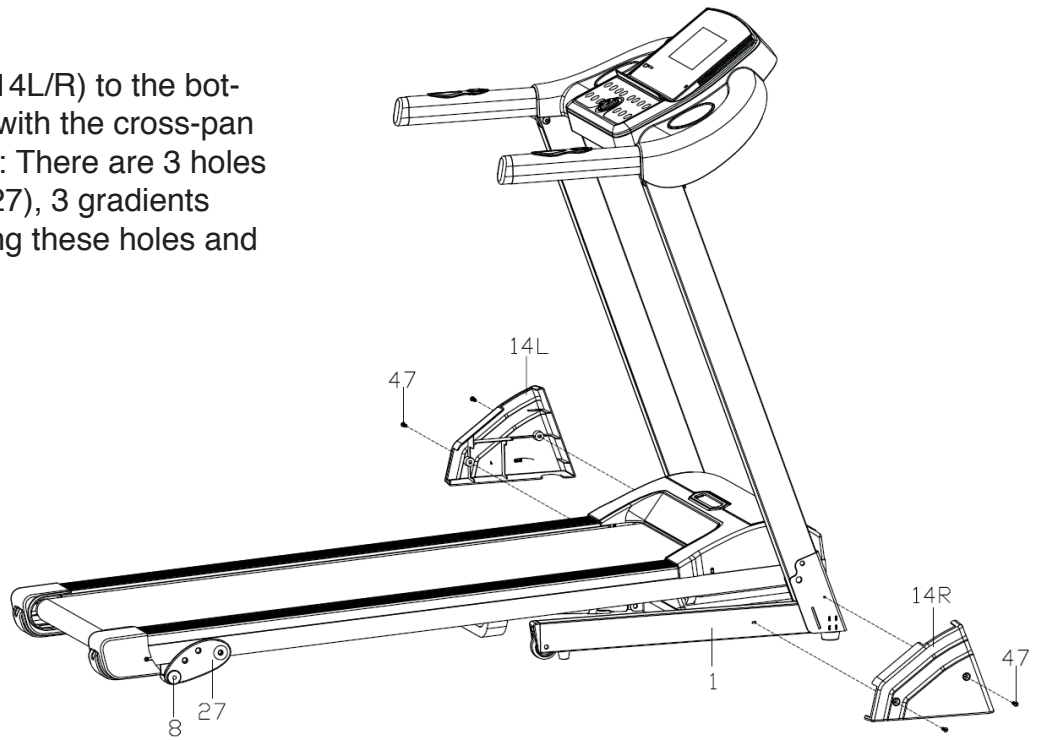
Step 2:

1. Cut down the straps when the main frame was place well (NOTE: Don't move it anymore)
2. Lift the combining of upright tube (3L/R), and computer frame (4) following the direction of the arrow as shown.
3. Lock the upright tube (3L/R) on the bottom frame (1) with the Allen bolt (32), Allen bolt (35) and lock washer (53). DO NOT TIGHTEN THE TWO ALLEN BOLTS NOW.
4. Lock the computer frame (4) tightly on the upright tube (3L/R) with Allen bolt (35) and lock washer (53). NOW TIGHTEN ALL THE BOLTS.



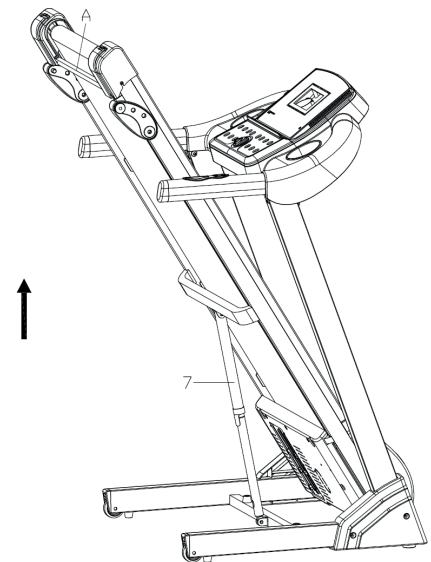
Step 3:

1. Attach the base cover (14L/R) to the bottom frame (1), secured with the cross-pan head screw (47). NOTE: There are 3 holes on the adjustable pad (27), 3 gradients are available by adjusting these holes and adjustable plug (8).



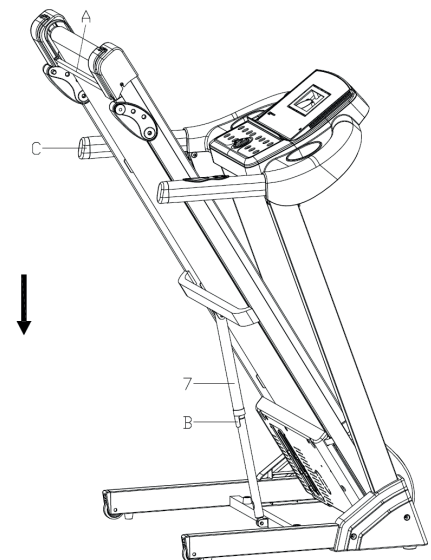
Step 4: (Fold the machine)

1. Place your hands on A, lift the machine, then push it to the direction of the arrow, stop it when you hear the sound from the cylinder (7). NOTE: Unplug the power cord and make sure the treadmill has completely stopped before folding. Please don't operate it after folding the treadmill.



Step 5: (Unfold the machine)

1. Grasp A by your hands, knick the place B of cylinder (7) by your right foot, push the running board to the level of place C, then the running board will get down automatically.



EN

Technical parameter

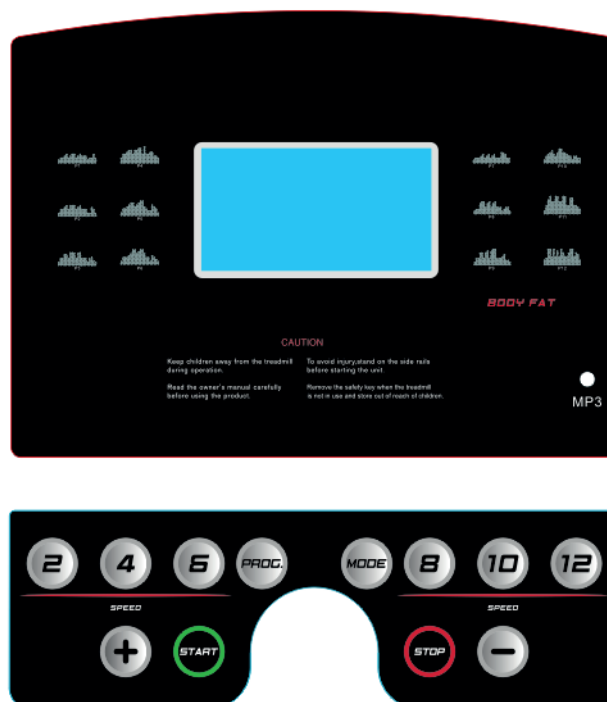
ASSEMBLY SIZE (mm)	1520x752x1180
FOLDING SIZE (mm)	900x740x1325
RUNNING SURFACE (mm)	430x1200
NET WEIGHT	46 KG
MAX WEIGHT	100 KG
SPEED RANGE	0.8-12 KM/H
INCLINE	MANUAL 3-LEVEL

EN

Operation instructions

Function specifications

- Start:** Normal startup after 3s counting backwards.
- Number of programs:** Manual modes, 12 Preset programs, 3 User setting programs ,3 HRC, FAT.
- Safe lock function:** Remove the safety lock in any modes could rapidly slow down the treadmill till stop. “---” will be instantly displayed on the window, the buzzer sound continuously. Buttons are invalid in this condition. Restore the safety lock, the window will display for 2s and then get into standby state, wait for inputting commands.



Key function

- START:** Press “START” when the treadmill is in stop mode, the speed will be displayed as “0.8”, treadmill will start.
- STOP:** Press “STOP” when the treadmill is running, the data will be cleared, and the treadmill will be in manual mode after stopping.
- PROG.:** In standby mode, press the key you can select manual mode “0.0” to “P1-P12”, “U1-U3”, 3HRC (optional) and FAT different programs; manual mode is the default mode, the default speed is 0.8KM/H, the max operating speed is 12.0km/h.

MODE: In standby mode, press the key you can loop set H-1 to H-3 different countdown modes. H-1 is time countdown mode, H-2 is distance countdown mode, H-3 is calorie countdown mode; all mode parameter can be set by speed +/- key, and press "START" key to start the treadmill.

SPEED: "SPEED+" and "SPEED -" are accelerating and decelerating keys, they may be used to adjust parameter setting when setting up parameters of the treadmill. When the treadmill is running, they are used to adjust the speed for 0.1km/time; after holding for more than 2s, automatic continuous acceleration and deceleration will be realized. There are fast keys on the handrail.

Speed shortcut: Speed can be directly adjusted to 2km/h, 4km/h,6km/h, 8km/h and 10km/h and 12km/h by speed shortcut keys when the treadmill is running.

NOTE: When the safety lock is off, press "PROG." + "MODE" key for 5s, the display switches between imperial and metric systems. Display "12.0" means metric systems/ Display "7.5" means imperial systems.

Display function

Speed display

Displays the current running speed.

Time display

Displays the running time under manual mode or the countdown running time under mode and programmed mode.

STEPS/DIS./CAL.display

Switch between display distance or countdown distance, calorie or countdown calorie and current running steps.

NOTE: Running steps is in valid when speed is less than 3.0km/h or more than 16km/h, due to differences in user's weight and step rate.

Heart rate display

Detects heat rate signals and display the pulse value.

Oil indicator window

"Lubrication" reminder. Display will light up the icon when lubrication is needed.

Data display range of various parameters:

TIME:	0:00 – 99.59(MIN)
DISTANCE:	0.00 – 99.9(KM)
CALORIES:	0.0 – 999 (KC)
SPEED:	0.8 – 12.0(KM/H)
PULSE:	50 – 200 (BPM)

Heart rate measurement function

While the treadmill is connected to the power, hold the pulse tester for 5s and the heart rate value will be displayed. The initial value is the measured heart rate, and its display range is: 50-200 times/minutes. In the heartbeat measurement process, there will be a heart shaped icon flashing. Heart rate displayed is for reference only and cannot be used as medical data.

Manual Modes

How to enter manual mode:

1. Switch on the power supply; then, directly enter normal mode under the manual mode.
2. In stop state, press MODE to select Normal mode, Time Countdown, Calorie Countdown and Distance Countdown modes under the manual mode.

Setting functions under manual mode: Time, Distance and Calorie Setting

1. When entering the manual mode, the time is displayed as 0:00;
2. In manual mode, press MODE to enter Time Countdown mode; the time window will display the time and flicker; the initial time is 30:00; set countdown time by SPEED +/ SPEED -. Time setting range: 5:00-99:00; each time of increase/ decrease will be 1: 00.
3. In time countdown mode, press MODE to enter Distance Countdown mode; the initial distance will be displayed as 1.00 km; set the distance by SPEED +/ SPEED - in the range of 1.0-99.0 km/mi; each time of increase/ decrease will be 1 km.
4. In distance countdown mode, press MODE to enter Calorie Countdown mode; the initial distance will be displayed as 50.0kcal; set the calorie by SPEED +/ SPEED - in the range of 20.0-990.0 kcal; each time of increase/ decrease will be 10.0 kcal.

Operation in manual mode:

1. Press START and the motor will start operating after 3s of countdown; the initial speed will be 0.8km/h for metric system or 0.5MPH for imperial system;
2. Press SPEED +/ SPEED - to adjust speed;
3. Press speed shortcuts to quickly set up to the speed marked on the key;
4. When the motor is running, press STOP, and the motor will slow down and stop finally;
5. Remove the safety lock to urgently stop motor running; then, LCD window will display “---” and the buzzer will make short sound of Bi-Bi-Bi.
6. When the set time reduces to zero or when the set calorie reduces to zero, or the set distance reduces to zero, the speed will gradually reduce till the stop of the machine, the buzzer will make short alarm “Bi-Bi-Bi”, and the speed window will display END; 5s later, the machine will return to the standby state and the buzzer will make long alarm “Bi-Bi”;
7. Parameters not set will increase forwards and will be reset after reaching the upper limit of the display range; in manual mode, the machine will stop when the time accumulates to be more than 99: 59 (100min).

Preset Programs

Each program is divided into 20 sections; the operation time will be evenly distributed to each program section. Here below is the 12-section program running diagram.

time program	Setup time / 20 = each segment of the running time																			
	1	2	3	4	5	6	7	8	9	10	11	12	13	14	15	16	17	18	19	20
P01 SPEED	2	3	3	4	5	3	4	5	5	3	4	5	4	4	4	2	3	3	5	3
P02 SPEED	2	4	4	5	6	4	6	6	6	4	5	6	4	4	4	2	2	5	4	2
P03 SPEED	2	4	4	6	6	4	7	7	7	4	7	7	4	4	4	2	4	5	3	2
P04 SPEED	3	5	5	6	7	7	5	7	7	8	8	5	9	5	5	6	6	4	4	3
P05 SPEED	2	4	4	5	6	7	7	5	6	7	8	8	5	4	3	3	6	5	4	2
P06 SPEED	2	4	4	4	5	6	8	8	6	7	8	8	6	4	4	2	5	4	3	2
P07 SPEED	2	3	3	3	4	5	3	4	5	3	4	5	3	3	3	6	6	5	3	3
P08 SPEED	2	3	3	6	7	7	4	6	7	4	6	7	4	4	4	2	3	4	4	2
P09 SPEED	2	4	4	7	7	4	7	8	4	8	9	9	4	4	4	5	6	3	3	2
P10 SPEED	2	4	5	6	7	5	4	6	8	8	6	6	5	4	4	2	4	4	3	3
P11 SPEED	2	5	8	10	7	7	10	10	7	7	10	10	5	5	9	9	5	5	4	3
P12 SPEED	3	4	9	9	5	9	5	8	5	9	7	5	5	7	9	9	5	7	6	3

User-setting programs:

Beside the 12 inner systems, the treadmill setup 3 user-defined programs: U1, U2, U3.

1. Continuously press "PROG." key until the expected program (U1/U2/U3) display in the standby condition, while the "TIME" window flash, display the setting time, press "SPEED+", "SPEED -" to set up expected run time, press "MODE" key to enter program parameter, then set up the first time period parameter, by "SPEED +"/"SPEED -" key or shortcut key to set the speed; press "MODE" key to finish the first time period setting, and entering the next time period setting, until all 20 time period setting. The parameter will be kept permanently until resetting, and all parameter will not be lost when power off.
2. Selection and start the user-defined program:
3. In the standby condition, continuously press "PROG." key until the expected user-defined program U1/U2/U3 display, set up the run time, press "START" key to turn on the treadmill.

Body Fat Test:

1. In standby state, press "PROG." to enter FAT (Physical fitness test) program. Press "MODE" to enter the program of F-1, F-2, F-3, F-4, F-5 (F-1:gender, F-2:age, F-3:height, F-4:weight, F-5:physical test), Press SPEED +/ SPEED - to set the parameter of 01-04(see below detailed table), then press "MODE" to enter the program of F-5 for physical test. At this state, hold the handle pulse board for 5-6 seconds and it will display the FAT, check if the weight matches with your height.
2. FAT is to measure the relevance between height and weight, not the body proportion. FAT is suitable for every man and woman; it provided the important grounds for adjusting the weight with other health indicators. The perfect FAT is between 20-24, which means if less than 19 is too thin, and if between 25-29 is overweight and if more than 30 is obesity.


HRC Function (optional)

HRC1 speed limit (Max-4.0km/h), HRC2 speed limit (max-2.0km/h), HRC3 Max

1. HRC setting after repeatedly pressing P button to get to HRC, press M to advance to the next setting, adjust speed or inclination accordingly
 - Age setting:13-80, default 30.
 - Target heart rate: $(220 \text{ minus age}) * 0.6$.
 - Target heart rate is changeable, ranging from 0.45 to 0.75 (220 minus age) .
 - Maximum heart rate: (220 minus age) .
2. Speed change:
 - Change sequence, HRC detects heart rate every 30 sec.
 - If the user's heart rate is lower than target heart rate by 30 times/min, then speed increases by 2 km/h.
 - If such a discrepancy is within 1-29 times/min, then speed increases by 1 km/h.
 - Vice versa, if the user's heart rate is higher than target heart rate, the speed decreases and the same rule applies.
3. During the following circumstances, the treadmill will run at 1km/h for 15 sec and then shut down automatically; in the 15 sec, the treadmill will beep for each second elapsed
 - A: No heart rate detected for more than one minute
 - B: Heart rate exceeds (220 minus age)

Others

1. When a countdown parameter run off, display "END", the alarm rings 0.5s every 2s, until the treadmill full stop, then return to manual mode.

3. Countdown time, countdown calorie and countdown distance can only be set up for one of them. The last time setting will be implemented. The parameter set will be counted backwards while other parameters will be counted forwards.
4. The standard calorie is about 70.3kcal/km.
5. The acceleration is 0.5Km/S and the deceleration is 0.5Km/S.
6. MP3 music audio amplification, input from the enter hole by the side.
7. In the process the un-set parameter will be up cumulative, the display clear when up to the max range; in the manual mode when the time accumulation excess 99:59(100min) the treadmill stops.
8. "Lubrication" reminder: After every 300KM, the screen will show  icon. In standby mode, remove the safety key then hold the "STOP" button simultaneously till buzz sounds, this will cancel this reminder. 300KMs later, the loop runs again.

Error message codes

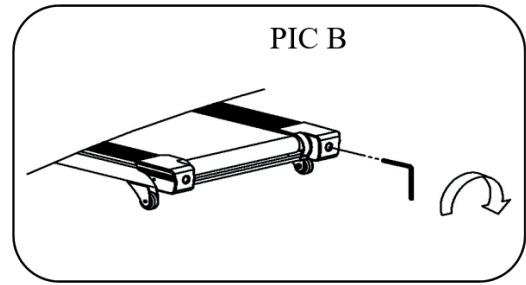
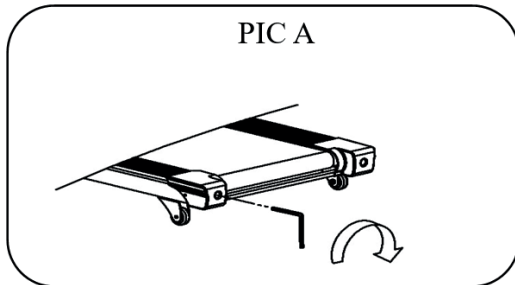
Problem	Potential reasons	Solutions
-----	Safe lock falls	<ol style="list-style-type: none"> 1. Place back the safe lock; 2. Replace safe lock switch or magnetic sensor in the electronic meter; if the problem still fails to be solved, replace the electronic meter;
E01	After power on, the electronic meter displays E01	<ol style="list-style-type: none"> 1. Check whether the connecting joint between the electronic meter and the core wire of the controller is loose; whether wires are damaged; whether the core wires are in correct connecting order. 2. The controller may be defective. Check and replace a good one. 3. The electronic controller's IC may not be plugged to the place. Check and ensure good plugging. 4. The transformer may be damaged. Check and replace a good one.
E02	Explosion-proof protection or motor abnormality	<ol style="list-style-type: none"> 1. Check whether the power supply voltage is less than 50% of the normal value; please ensure correct voltage and test again; 2. Check whether motor wires are well connected; re-connect motor wires, or, if the problem still fails to be solved, replace the motor; 3. Check whether there is peculiar odor generated by the controller; if yes, it means that IGBT has been broken down to cause short circuit; then, replace the controller.
E03	No sensory signal	<ol style="list-style-type: none"> 1. Check whether the photoelectric sensor directs to the hole on CD; check whether wires of photoelectric sensor are damaged and whether terminals of the photoelectric sensor and speed terminals on the controller are firmly connected.
E05	Over-current protection	<ol style="list-style-type: none"> 1. It may be the system's self-protection against excessive current when the load exceeds the rated value; restart the machine; 2. Some part of the treadmill is jammed so that the motor cannot rotate, thus triggering the self-protection of the system against excessive current under excessive load; adjust the treadmill and restart it or add lubricant. 3. Check whether there is over-current sound or burning odor when the motor is running; replace the motor; 4. Check whether the controller emits the odor of burning; if yes, replace the controller.
No display on the electronic meter	The controller is not powered on or is damaged	<ol style="list-style-type: none"> 1. Firstly, check whether the over-load protector has tripped off; if yes, press it; 2. Check the power supply switch, over-load protector and the controller's power cord and transformer to ensure well connection; 3. Check whether the power cords from the electronic meter to the controller are well collected; dismantle the pillar to check connecting joints on each section of the wiring from the electronic meter to the controller; ensure that each wire core is well connected; or the reason may be the communication power cord defect (damaged or broke down); in such case, re-connect or replace wires. 4. The transformer is damaged; replace the transformer

Maintenance instructions

Walking belt centering and tension adjustment

NOTE: DO NOT OVERTIGHTEN the walking belt. This may cause reduced motor performance and excessive roller wear.

1. Place treadmill on a level surface
2. Run treadmill at approximately 3.5 mph
3. If the belts off the track to the right side, please screw the right adjusting bolt clockwise slowly, noticing the change of the deviating distance, until center the belt. (Attention: the space between the belt and the right/left edgings is at a distance normally. And the gap between the right and left distance should be no more than 5mm.
4. If the belts off the track to the left side, please screw the left adjusting bolt clockwise slowly, noticing the change of the deviating distance, until center the belt. (Attention: the space between the belt and the right/left edgings is at a distance normally. And the gap between the right and left distance should be no more than 5mm.



Picture A: If the belt has drifted to the LEFT

Picture B: If the belt has drifted to the RIGHT

WARNING: Always unplug the treadmill from the electrical outlet before cleaning the unit.

Cleaning

- General cleaning of the unit will greatly prolong the treadmill. Keep treadmill clean by dusting regularly. Be sure to clean the exposed part of the deck on either side of the walking belt and the side rails. This reduces the buildup of foreign material underneath the walking belt.
- The top of the belt may be cleaned with a wet, soapy cloth. Be careful to keep liquid away from inside the motorized treadmill frame or from underneath the belt. **Warning:** Always unplug the treadmill from the electrical outlet before removing the motor cover. At least once a year remove the motor cover and vacuum under the motor cover.

Walking belt and deck lubrication

This treadmill is equipped with a pre-lubricated, low maintenance deck system. The belt/deck friction may play a major role in the function and life of your treadmill, thus requiring periodic lubrication. We recommend a periodic inspection of the deck.

Light user (less than 3 hours/week):

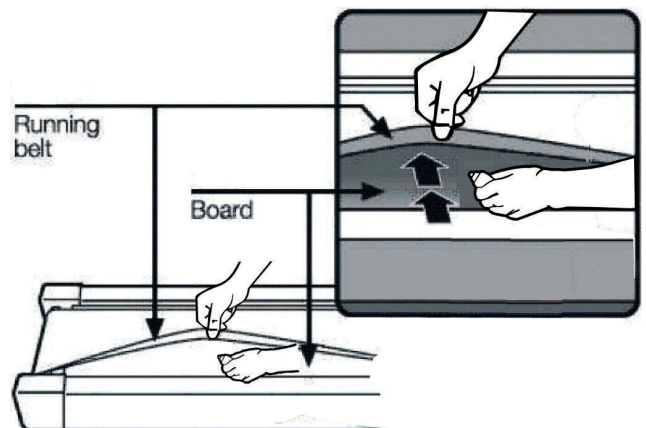
Annually

Medium user (3-5 hours/week):

Every six months

Heavy user (more than 5 hours/week):

Every three months

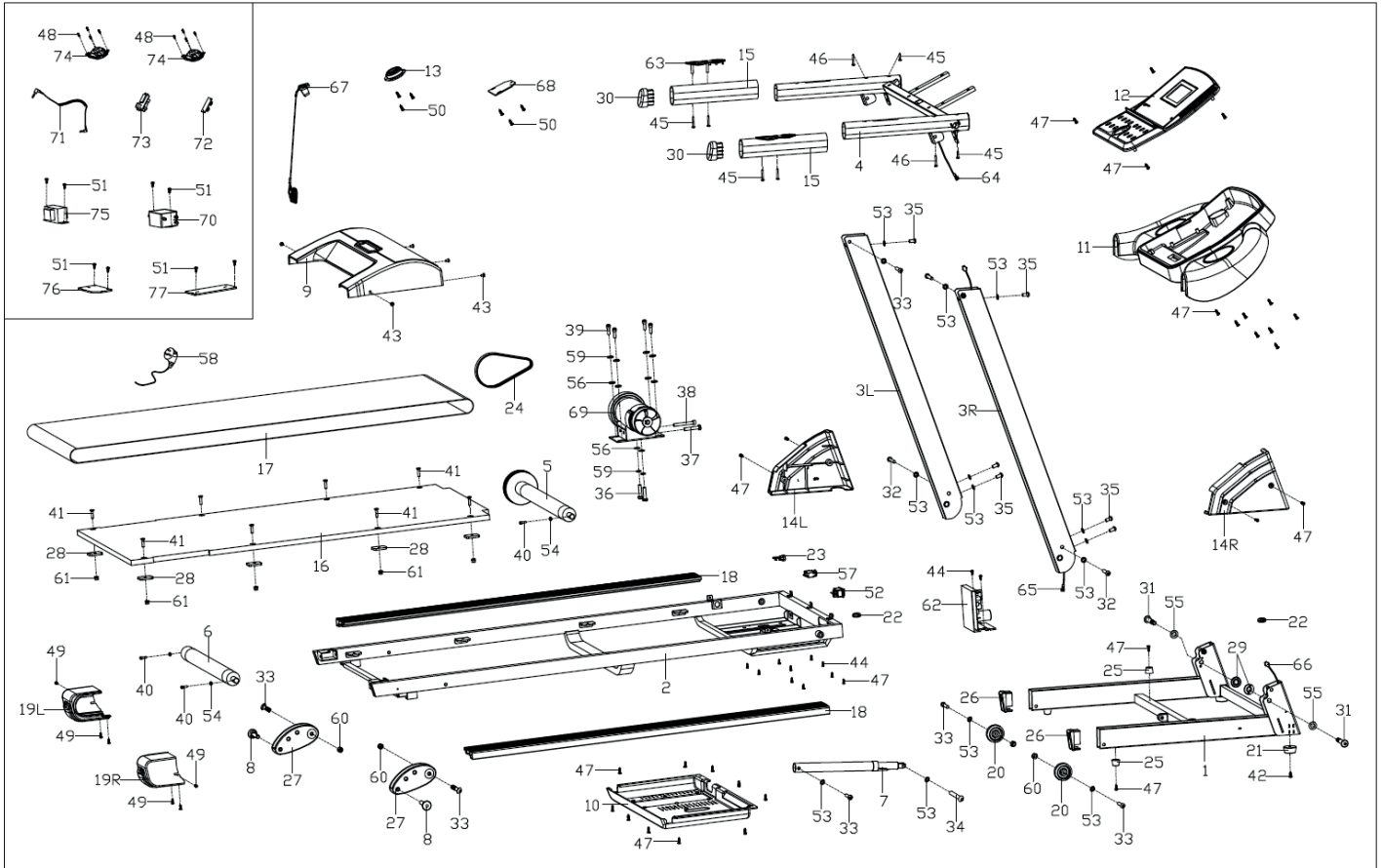


Parts list

Part No.	Description	Qty	Part No.	Description	Qty
1	Bottom frame	1	40	Allen screw M6x55	3
2	Main frame	1	41	Allen screw M6x30	8
3L/R	upright tube	1pr.	42	Cross pan head screw M6x15	2
4	Computer frame	1	43	Cross washer head screw M5x8	5
5	Front roller	1	44	Cross washer head screw M4x8	8
6	Rear roller	1	45	Cross pan head screw ST4x40	6
7	Air cylinder	1	46	Cross pan head screw ST4x20	2
8	Adjustable plug	2	47	Cross pan head screw ST4x16	34
9	Top motor cover	1	48	Cross pan head screw ST4x8	8
10	Bottom motor cover	1	49	Cross washer head screw ST4x12	6
11	Top computer cover	1	50	Cross pan head screw ST2.9x9.5	6
12	Console panel	1	51	Cross pan head screw M4x8	8
13	Safety key base	1	52	Switch	1
14L/R	Base cover	1pr	53	Locking washer \varnothing 8x1.2	14
15	Foam grip	2	54	Locking washer \varnothing 6x1.2	3
16	Running board	1	55	Flat washer \varnothing 12x1.0	2
17	Running belt	1	56	Flat washer \varnothing 8x1.5	6
18	Side rail	2	57	Circuit breaker	1
19L/R	End cap	1pr	58	Power wire	1
20	Transport roller	2	59	Standard spring washer \varnothing 8	6
21	Flat pad	2	60	Nylon nut M8	4
22	Ring end cap	2	61	Nylon nut M6	8
23	Power wire buckle	1	62	Lower control	1
24	Belt	1	63	Shortcut key	2
25	Small foot pad	4	64	Computer top wire	1
26	Small transport roller end cap	2	65	Computer connecting wire	1
27	Adjustable pad	2	66	Computer bottom wire	1
28	Rubber pad	8	67	Safety key	1
29	Plastic fixing washer	2	68	Back light unit	1
30	Oblate inner plug	2	69	DC motor	1
31	Bolt	2	70	Filter (Optional)	1
32	Allen bolt M8x45	2	71	Audio socket (optional)	1
33	Allen bolt M8x40	7	72	MP3 (Optional)	1
34	Allen bolt M8x25	1	73	Amplifier board (optional)	1
35	Allen bolt M8x15	6	74	Loudspeaker (optional)	2
36	Hex bolt M8x35	2	75	Inductor (Optional)	1
37	Hex screw M8*45	1	76	Inductance connection plate (Optional)	1
38	Allen screw M8x60	1	77	Filter connection plate (Optional)	1
39	Allen screw M8x18	4			

Exploded view

EN



Warranty

Champion Nordic guarantees that this product is free from manufacturing defects in terms of materials and workmanship during a period of 2 years in Sweden, Norway, Denmark and Finland. This warranty period begins on the day the product is purchased or delivered. Champion Nordic has no obligation to repair or replace products that are not accompanied by a valid proof of purchase. This warranty applies only to products purchased and used for home use and does not cover damage resulting from abuse, failure to comply with the instructions from Champion Nordic, cases in which the product has been modified or subjected to unauthorized repair, improper packaging on the part of the owner, normal wear and tear, or improper handling on the part of a transport company.

Correct Disposal of this product

This marking indicates that this product should not be disposed with other household wastes throughout the EU. To prevent possible harm to the environment or human health from uncontrolled waste disposal, recycle it responsibly to promote the sustainable reuse of material resources.



FRONTIER

Frontier ©
Makadamgatan 14 | 254 64 Helsingborg | Sweden
info@order.se



VARNING!

Läs noggrant igenom alla instruktioner innan användning av den här produkten. Behåll manualen för framtida behov:

- Vid användning, fäst säkerhetsbandet i dina kläder.
- Vid användning, låt armarna svänga naturligt och titta framåt, titta aldrig på fötterna.
- Höj hastigheten steg för steg vid löpning
- Vid nödsituation, använd genast nödstoppet
- Vänta alltid tills löpbandet stannat helt innan avstigning.

Varning: Läs igenom monteringsguiden noggrant, följ anvisningarna vid montering.

VIKTIGA SÄKERHETSÅTGÄRDER:

1. Innan Du påbörjar ett träningsprogram ska du konsultera din läkare eller hälsospecialist. För att förhindra skador, värm upp innan träning. Löpbandet är endast avsedd för vuxna personer
2. Kontrollera att alla bultar sitter fast
3. Ställ aldrig löpbandet i en våt/fuktig miljö.
4. För att förlänga produktens hållbarhet är det viktigt att utföra regelbundet underhåll.
5. **VARNING:** För att undvika elektriska stötar, dra alltid ur kontakten ur vägguttaget innan rengöring eller underhåll.
6. Undvik att ställa löpbandet på tjocka mattor för att undvika att skada produkten och mattan.
7. Ha alltid ett avstånd på minst 1 meter till närmsta, fasta föremål.
8. Låt aldrig små barn använda eller vara i närheten av löpbandet.
9. Håll händerna undan alla rörliga delar.
10. Använd inte produkten om elsladden är skadad.
11. Håll sladden borta från alla varma ytor, t.ex. element.
12. Det här löpbandet är endast avsett för hemanvändning och är därför inte anpassad för professionellt bruk.
13. Dra aldrig ut elsladden när bandet är i rörelse.
14. Rekommenderad temperatur vid användning är 5-40°C.
15. Stäng av strömmen när produkten inte används. Dra inte ur elsladden när maskinen är avstängd för att undvika att elsladden skadas.
16. Maxvikt för användare: 100 kg.
17. Sätt löpbandets elsladd i ett jordat vägguttag.
18. Placera löpbandet på en öppen yta och plant underlag. Ställ inte löpbandet på en tjock matta då det kan förhindra tillräcklig ventilation. Placera inte löpbandet utomhus eller i närheten av vatten.
19. Starta aldrig löpbandet när du står på löpbältet. Efter att du startat bandet och justerat hastigheten kan det bli en kort paus innan bandet börjar rulla, stå alltid med fötterna på fotstöden på sidorna tills bältet börjar röra sig.
20. Bär alltid lämpliga kläder vid träning med löpbandet. Bär inte långa, löst sittande kläder som kan fastna i löpbandet. Bär alltid löpar-/aerobicskor med gummisula.
21. Kontrollera att elsladden och säkerhetsstoppet fungerar innan användning av löpbandet.
22. Håll alltid i handräckena vid promenad eller löpning tills du är bekväm med att använda löpbandet.
23. Fäst alltid säkerhetsklämman vid dina kläder vid användning av löpbandet. Skulle löpbandet plötsligt öka hastighet pga. tekniska problem eller om det ökar hastigheten utan påverkan utifrån kommer löpbandet att stanna automatiskt när säkerhetsstoppet dras loss från konsolen.
24. Vid onormala händelser vid användning, var god dra loss säkerhetsstoppet omedelbart, håll i handräckena och hoppa upp på sidorna av löpbältet, stig sedan av när bandet slutat rulla.

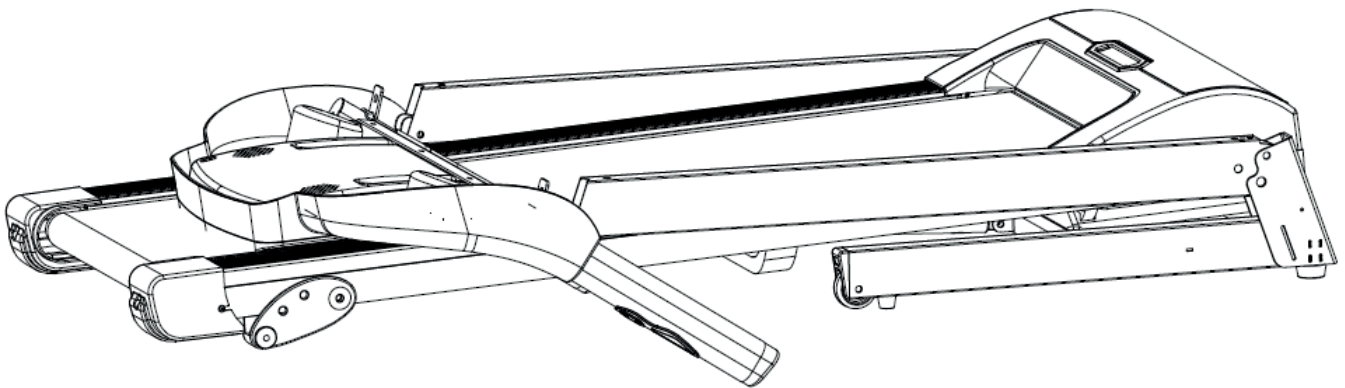
25. När löpbandet inte används bör sladden dras ur och säkerhetsstoppet kopplas från.
26. Om sladden skulle skadas måste den ersättas av tillverkaren, dess serviceagent eller annan kvalificerad personal för att undvika fara.
27. Kontrollera att löpbandet slutat rulla innan du viker ihop det. Använd aldrig bandet i hopvikt ställning.

SE

Montering

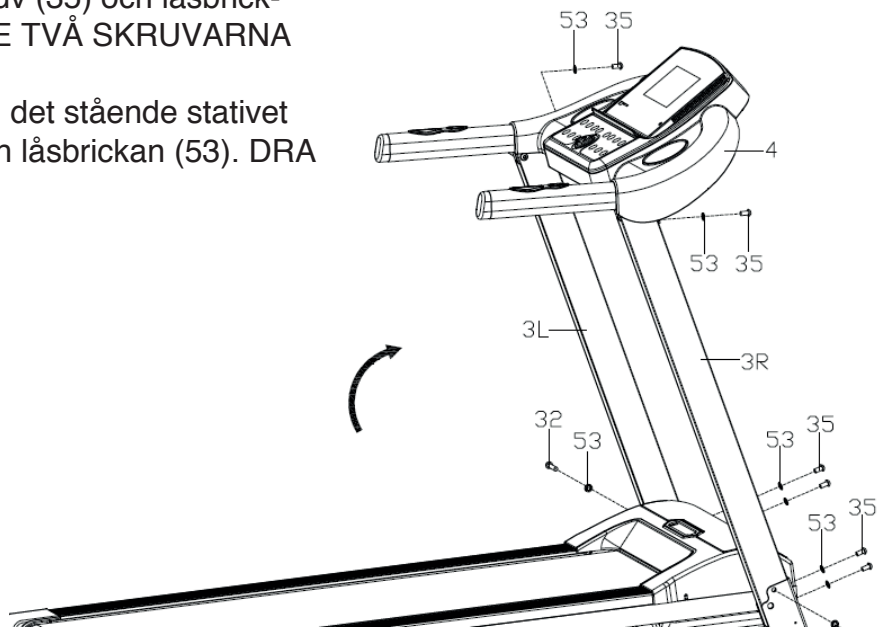
Step 1:

1. Öppna förpackningen, plocka upp alla delar och placera huvudramen på plan yta. (KLIPP INTE AV PACKREMMARNA ÄNNU)



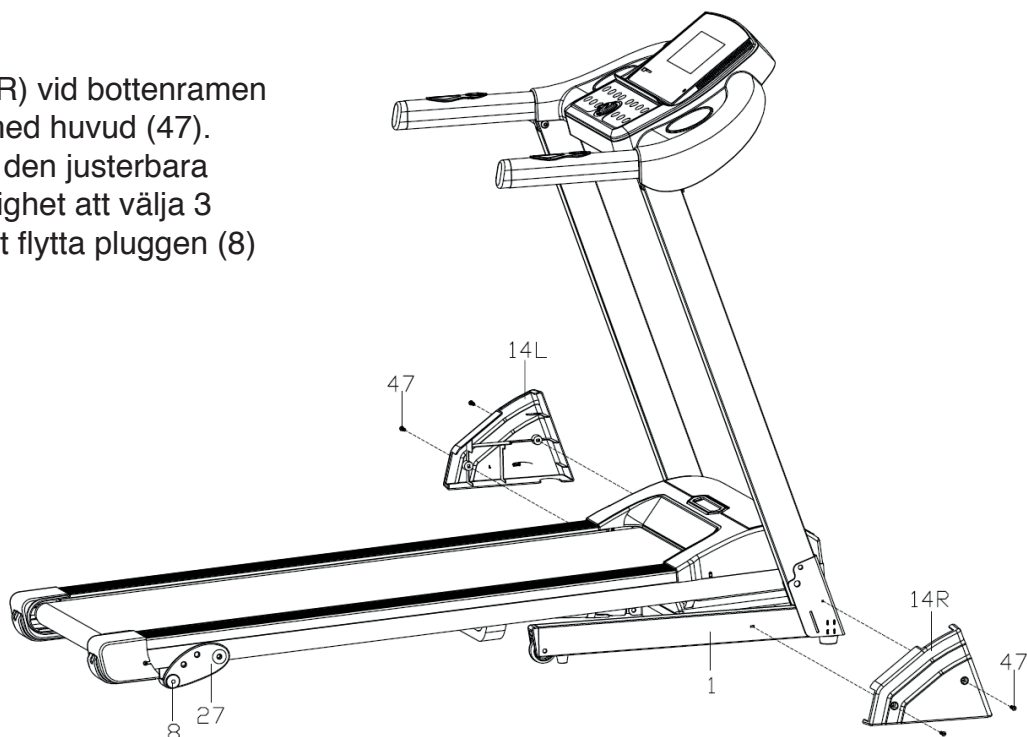
Steg 2:

1. Klipp av remmarna när ramen står stabilt (OBS: Flytta den inte mer)
2. Lyft upp det stående stativet (3L/R) och datorramen (4) i riktningen pilen visar.
3. Fäst det stående stativet (3L/R) vid bottenramen (1) med Insexskruv (32), Insexskruv (35) och låsbrickan (53). (SKRUVA INTE ÅT DE TVÅ SKRUVARNA ÄNNU)
4. Fäst datorramen (4) stadigt vid det stående stativet (3L/R) med insexskruv (35) och låsbrickan (53). DRAG NU ÅT ALLA SKRUVAR.



Steg 3:

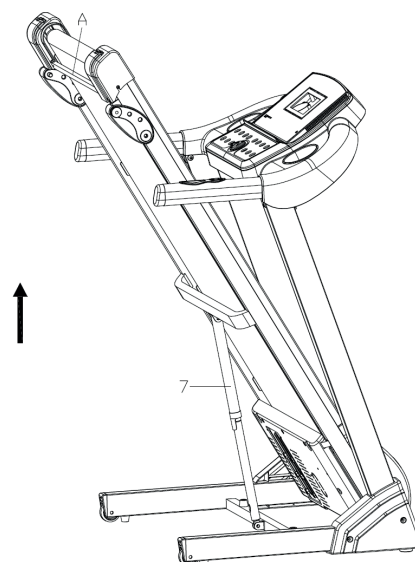
1. Fäst bottenlocket (14L/R) vid bottenramen (1) med stjärnskruven med huvud (47).
OBS: Det finns 3 hål på den justerbara delen (27) som ger möjlighet att välja 3 olika lutningar genom att flytta pluggen (8) mellan hålen.



SE

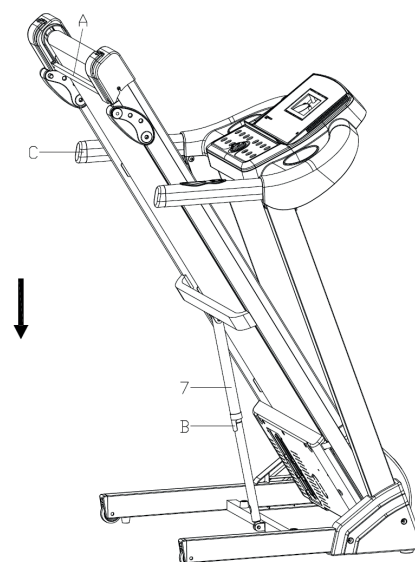
Steg 4: (Fälla ihop maskinen)

1. Placera händerna på A, lyft maskinen och tryck den i pilens riktning tills du hör ljudet från cylindern (7). OBS: Dra ur sladden och försäkra dig om att löpbandet står helt stilla innan du viker ihop det. Vänligen använd inte maskinen när den är hopvikt.



Steg 5: (Fälla upp maskinen)

1. Ta tag i A med händerna, använd höger fot för att trycka på B på cylindern (7), tryck löpbandet mot C och så kommer löpbrädet sänkas automatiskt.



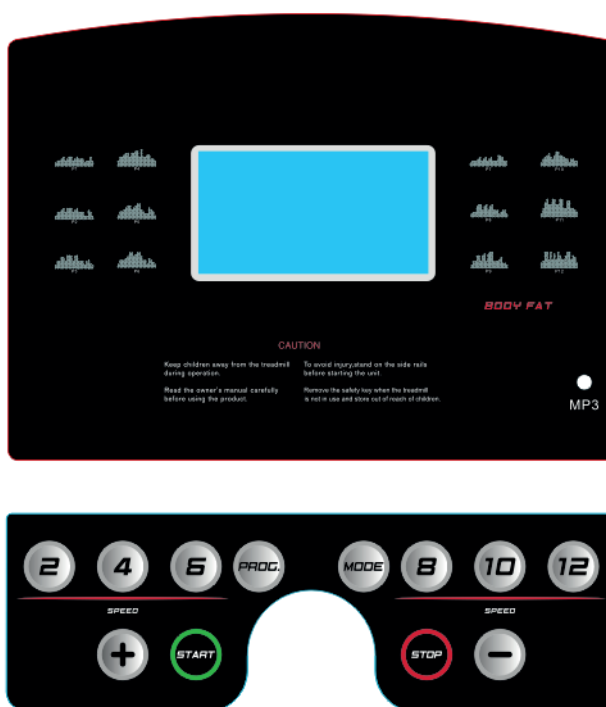
Tekniska specifikationer

MÅTT UPPSTÄLLD (mm)	1520x752x1180
MÅTT HOPFÄLL (mm)	900x740x1325
LÖPYTA (mm)	430x1200
NETTOVIKT	46 KG
MAXVIKT ANVÄNDARE	100 KG
HASTIGHETSINTERVALL	0.8-12 KM/H
LUTNING	MANUELL, 3 LÄGEN

Bruksanvisning

Funktioner

- Start:** Startar normalt efter 3 s nedräkning.
- Antal program:** Manuella inställningar, 12 förprogrammerade program, 3 användarprofiler, 3 HCR, FAT.
- Säkerhetslåsfunktion:** Att dra bort säkerhetsstoppet under användning saktar ner löpbandet tills det stannar. "---" visas på displayen och alarmet ljuder. Knapparna går inte att använda i detta läge. Sätt tillbaka säkerhetsstoppet, efter två sekunder återvänder maskinen till stand-by-läge och det går att lägga in kommando på nytt.



Huvudfunktioner

- START:** Tryck "START" när löpbandet är stillastående, displayen visar hastigheten som "0.8" och löpbandet kommer starta.
- STOP:** Tryck på "STOP" när löpbandet är i rörelse, all data kommer nollställas och löpbandet återgår till manuellt läge
- PROG.:** Med maskinen i stand-by-läge kan du välja manuellt läge "0.0", "P1-P12", "U1-U3", 3HRC (tillval) och FAT som olika program. Manuellt läge är standard, 0.8 km/h är minsta hastighet och är 12.0 km/h högsta hastighet.

MODE: Men maskinen i stand-by-läge, tryck på "MODE" för att välja H-1 till H-3, olika nedräkningsprogram. H-1 är tidsnedräkning, H-2 är distansnedräkning och H-3 är kalorinedräkning, alla parametrar ställs in med "SPEED+/-"- knapparna. Tryck sedan "START" för att starta löpbandet.

HASTIGHET: "SPEED+" och "SPEED -" höjer respektive sänker hastigheten. De används även för att göra inställningar på löpbandet. "SPEED+/-" höjer och sänker hastigheten med 0.1 km/h, hålls knappen in minst 2 s kommer den automatiskt höja respektive sänka hastigheten. Det finns snabbknappar på handtagen.

Snabbknappar för hastighet: Hastigheten kan direkt anpassas till 2 km/h, 4 km/h, 6 km/h, 8 km/h, 10 km/h och 12 km/h med hjälp av snabbknappar när löpbandet används.

OBS: När säkerhetsläget är av kan du hålla nere "PROG." + "MODE" i 5 s så kommer systemet skifta mellan metersystem och brittiska mätsystemet. Visar displayen "12.0" innebär det att den är inställd på metersystem, visar den "7.5" innebär det att den är inställd på brittiska systemet.

Skärmfunktioner

Hastighet

Visar nuvarande löphastighet.

Tid

Visar löptiden i manuellt läge eller nedräkning av tid i program.

Steg/dis./Kcal:

Bläddrar mellan att visa distans eller nedräkning av distans, tid eller nedräkning av tid och antal steg.

OBS: Stegräkningen är inte tillförlitlig vid hastigheter under 3.0 km/h och över 16 km/h, beroende på skillnader i användares vikt och steglängd.

Hjärtfrekvens-/pulsmätare

Registrerar hjärtfrekvensen och visar pulsvärdet.

Oljeindikatorfönster

Påminnelse att "smörja" löpbandet. Displayen visar en oljelampa när maskinen bör smörjas.

Intervall för olika parametrar:

Tid: 0:00-99.59 (min)

Distans: 0.00-99.9 (km)

Kalorier: 0.0-999 (kc)

Hastighet: 0.8-12.0 (km/h)

Puls: 50-200 (BPM)

Hjärtfrekvens-/pulsmätning:

När löpbandet är kopplat till ström, håll i pulsmätaren i 5 s och hjärtfrekvensen kommer visas. Det värde som visas är den uppmätta pulsen och intervallet är 50-200 slag per minut. Under pulsmätningprocessen visas ett blinkande hjärta på displayen. Hjärtfrekvensen som visas är endast en referens och kan inte användas som medicinsk information.

Manuellt läge

Hur använder jag manuellt läge?

1. Slå på strömmen, välj sedan normalt läge under manuellt läge.
2. Tryck på "MODE" när löpbandet står stilla för att välja mellan Normalt läge, Tidsnedräkning, Kalorinedräkning och Distansnedräkning under manuellt läge.

Ställa in funktioner i manuellt läge;

Tid, distans, kalori

1. När manuellt läge öppnas, visas tiden som 0.00;
2. I manuellt läge, tryck på "MODE" för att välja tidsnedräkning, tidsdisplayen kommer visa tiden och blinka. Starttiden är 30:00, ställ in tiden genom att trycka på "SPEED +" eller "SPEED -". Tiden går att ställa in mellan 5:00-99:00; varje ökning/minskning ändras med 1:00.
3. I tidnedräkningsläge, tryck på "MODE" för att komma till distansnedräkningsläget, startdistansen kommer visas som 1.00 km; ställ in distansen genom att trycka på "SPEED+/SPEED-". Det är möjligt att ställa in distans 1.0-99.0 km/min; varje tryck ökar/minskar distansen med 1 km.
4. I distansnedräkningsläge, tryck på "MODE" för att komma till kalorinedräkningsläget; startvärdet visas som 50.0 kcal, ändra antal kalorier genom att trycka på "SPEED+/SPEED-". Det är möjligt att ställa in 20.0-990.0 kcal; varje tryck ökar/minskar antalet med 10.0 kcal.

Användning i manuellt läge:

1. Tryck på START och motorn kommer att börja efter 3 s nedräkning; starthastigheten är 0.8 km/h i metersystemet och 0.5 MPH i brittiska systemet.
2. Tryck på "SPEED+/SPEED-" för att ställa in hastigheten;
3. Tryck på snabbknapparna för att justera hastigheten snabbt;
4. Medan motorn går, tryck på STOP så kommer motorn att sakta in och slutligen stanna;
5. Dra loss säkerhetsstoppet för att snabbt stänga av motorn. LCD-skärmen kommer att visa "---" och alarmeret hörs pipa, "BI-BI-BI".
6. När den bestämda tiden når 0.00, när kaloriräknaren når 0.00, eller när distansmätaren når 0.00 kommer farten gradvis minska tills dess att maskinen stannat helt. Korta pip från alarmeret hörs, "BI-bi-bi", skärmen visar "END". Efter 5 s kommer maskinen att återgå till vänteläge och alarmeret ger ifrån sig ett längre alarm BI-BI.
7. Parametrar som inte ställs in kommer att öka fortsättningsvis och återställas när det övre gränsvärdet är nått; i manuellt läge kommer maskinen att stanna när sammanlagt 99.59 min gått (100 min).

Förinställda program

Varje program är indelat i 20 sektioner, tiden fördelas jämnt mellan varje programsektion. Nedan finns 12-sektionsprogrammet körschema.

program	time	Setup time / 20 = each segment of the running time																			
		1	2	3	4	5	6	7	8	9	10	11	12	13	14	15	16	17	18	19	20
P01	SPEED	2	3	3	4	5	3	4	5	5	3	4	5	4	4	4	2	3	3	5	3
P02	SPEED	2	4	4	5	6	4	6	6	6	4	5	6	4	4	4	2	2	5	4	2
P03	SPEED	2	4	4	6	6	4	7	7	7	4	7	7	4	4	4	2	4	5	3	2
P04	SPEED	3	5	5	6	7	7	5	7	7	8	8	5	9	5	5	6	6	4	4	3
P05	SPEED	2	4	4	5	6	7	7	5	6	7	8	8	5	4	3	3	6	5	4	2
P06	SPEED	2	4	4	4	5	6	8	8	6	7	8	8	6	4	4	2	5	4	3	2
P07	SPEED	2	3	3	3	4	5	3	4	5	3	4	5	3	3	3	6	6	5	3	3
P08	SPEED	2	3	3	6	7	7	4	6	7	4	6	7	4	4	4	2	3	4	4	2
P09	SPEED	2	4	4	7	7	4	7	8	4	8	9	9	4	4	4	5	6	3	3	2
P10	SPEED	2	4	5	6	7	5	4	6	8	8	6	6	5	4	4	2	4	4	3	3
P11	SPEED	2	5	8	10	7	7	10	10	7	7	10	10	5	5	9	9	5	5	4	3
P12	SPEED	3	4	9	9	5	9	5	8	5	9	7	5	5	7	9	9	5	7	6	3

Användaranpassade program

Förutom de 12 inbyggda systemen har löpbandet 3 användaranpassade program, U1, U2 och U3.

1. I stand-byläge, tryck upprepade gånger på "PROG" tills önskat program (U1/U2/U3) visas på displayen. När "TIME"-skärmen blinkar är det möjligt att ställa in tiden, tryck "SPEED+" eller "SPEED-" för att ställa in planerad löptid. Tryck på "MODE" knappen för att komma till programparametrar, med "SPEED+" och "SPEED-" ställer du sedan in den första sektionens tid, tryck "MODE" för att färdigställa första sektionens inställning och upprepa sedan proceduren tills alla 20 tidsektioner är inställda. Parametrarna kommer att sparas permanent tills de återställs och kommer inte att försvinna när strömmen är avstängd.
2. Att välja och starta användaranpassat program:
3. I vänteläge, tryck upprepade gånger på "PROG:" tills det önskade programmet visas på displayen, U1/U2/U3, ställ in önskad löptid och tryck sedan "START" för att sätta på löpbandet.

Mätning av kropps fett:

1. I stand-byläge, tryck "PROG." för att komma till FAT (Physical fitness test) programmet. Tryck "MODE" för att välja program F-1, F-2, F-3, F-4, F-5 (F-1: kön, F-2: ålder, F-3: längd, F-4: vikt, F-5: fysiskt test). Tryck "SPEED+/SPEED-" för att ställa in parametrarna 01-04 (se tabell nedan för detaljer) och tryck sedan "MODE" för att komma till F-5 för fysiskt test. Ta tag i handtaget med pulsmätaren i 5-6 s och sedan kommer displayen visa FAT, se om din vikt matchar din längd.
2. FAT är till för att mäta förhållandet mellan längd och vikt, inte kroppsproportioner. FAT är tillgängligt för både kvinnor och män, det ger en viktig grund för att justera vikten med andra hälsoindikationer. Det perfekta FAT-värdet ligger mellan 20-24, värden under 19 är undervikt, värden mellan 25-29 övervikt och värden över 30 fetma.


HRC-funktioner (tillval)

HRC1 hastighetsbegränsning (max-4.0km/h), HRC2 hastighetsbegränsning (max-2.0km/h), HRC 3 Max.

1. HRC-inställning; Tryck upprepade gånger på P för att komma till HRC och tryck sedan M för att komma till nästa inställning, ställ in hastighet och lutning.
 - Åldersinställning: 13-80, standard 30
 - Målpuls (target heart rate) : $(220 \text{ minus din ålder}) * 0.6$.
 - Målpulsen kan ändras mellan 0.45 till 0.75 (220 minus ålder)
 - Maxpuls: 220 minus ålder
2. Ändra hastighet:
 - Ändra sekvens, HRC läser av pulsen var 30 s.
 - Om användarens puls är 30 slag/minut under målpulsen ökar löpbandet hastigheten med 2 km/h.
 - Om avvikelserna är mellan 1-29 slag/minut under målpuls ökar löpbandet hastigheten med 1 km/h.
 - och vice versa, om användarens puls är högre än målpulsen sänks hastigheten och samma regler gäller här.
3. Vid följande händelser kommer löpbandet gå i 1 km/h i 15 s för att sedan stängas av automatiskt; under dessa 15 s kommer löpbandet pipa varje sekund som går
 - A: Ingen puls har upptäckts på över 1 minut
 - B: Pulsen överstiger maxpuls (220 minus din ålder)

Annat:

1. När en nedräkning är färdig visas "END", alarmer ljuder 0.5 s varannan sekund tills löpbandet stannat och det återgår sedan till stand-byläge

2. Parametrarna kan ställas in på loop, t.ex. tid. Om intervallet ligger mellan 5:00-99:00, tryck på "+" när tiden når 99:00. Då återgår klockan till 5:00 och börjar om. Öka eller minska med "+" och "-".
3. Nedräkning av tid, kalorier eller distans kan bara ställas in en i taget. Sista inställningen kommer att vara förvald. Den utvalda parametern kommer räknas ned medan de andra kommer räkna upp.
4. Genomsnittsförbränningen är cirka 70.3 kcal/km.
5. Hastighetsökning och hastighetssänkning sker med 0.5 km/s
6. Mp3-spelare kan anslutas, uttag finns vid hålet på sidan.
7. De parametrar som inte är inställda kommer att öka kontinuerligt och displayen kommer att nollställas när räkningen når maxvärdet. I manuella läget stannar löpbandet när tiden når 99.59 min (100 min).
8. "Smörjpåminnelse": Varje 300 km kommer skärmen visa . I stand-by-läge, ta bort säkerhetsnyckeln och håll "STOP" tills alarmet låter, det nollställer larmet och det låter igen efter 300 km.

Felmeddelande

Problem	Ev. orsaker	Lösningar
-----	Säkerhetslåset faller av	<ol style="list-style-type: none"> 1. Sätt tillbaka säkerhetslåset; 2. Ersätt brytaren eller den magnetisk sensors i elektroniska mätaren; skulle problemet kvarstå, byt ut den elektroniska mätaren;
E01	När strömmen slås på visas E01 på elektroniska mätaren	<ol style="list-style-type: none"> 1. Kontrollera att elsladden till elektroniska mätaren från huvudledningen inte sitter löst; sladdarna inte är skadade; om sladdarna på huvudledningen sitter korrekt. 2. Kontrollen kan vara skadad, kontrollera och ersätt med en hel. 3. Elektroniska kontrollens IC kanske inte sitter på plats. Kontrollera att ledningen sitter bra. 4. Transformatorn kan vara skadad. Kontrollera och ersätt med en hel.
E02	Säkringen eller motorn fungerar inte korrekt	<ol style="list-style-type: none"> 1. Kontrollera ifall spänningen i uttaget är mindre än 50 % av det normala värdet, säkerställ spänningen och prova igen. 2. Kontrollera att sladdarna är ordentligt kopplade, dra ur och sätt i dem igen. Om problemet kvarstår, byt motor. 3. Kontrollera ifall kontrollen luktar konstigt, i så fall kan det betyda att IGBT är skadad på grund av kortslutning. Ersätt kontrollen.
E03	Ingen signal från sensorerna	<ol style="list-style-type: none"> 1. Kontrollera att de fotoelektriska sensorerna leds till hålet i CD; kontrollera om sladdarna till sensorerna är skadade och huruvida terminalen till de fotoelektriska sensorerna och farterminalen på kontrollen sitter ordentligt.
E05	Överspänningsskydd	<ol style="list-style-type: none"> 1. Det kan vara systemets självskydd mot överspänning när det överstiger det rekommenderade värdet; starta om maskinen; 2. Vissa delar av löpbandet har kilat sig fast så att motorn inte kan rotera och utlöser därför självskyddet mot överspänning vid överström; justera löpbandet och starta om det eller smörj löpbandet. 3. Kontrollera ifall det finns ett ljud av överspänning eller en bränd lukt; ersätt motorn; 4. Kontrollera ifall kontrollen luktar bränt, i så fall, ersätt kontrollen.
Ingen text visas på den elektroniska mätaren	Kontrollen har ingen ström eller är skadad	<ol style="list-style-type: none"> 1. Kontrollera först om överbelastningsskyddet är aktiverat, i så fall, tryck in den; 2. Kontrollera strömknappen, överspänningsskyddet och kontrollens strömsladd samt transformatorn för att vara säkra på att sladdarna är väl anslutna; 3. Kontrollera strömsladden från den elektroniska mätaren till kontrollen sitter väl; montera isär pelaren för att kontrollera att kopplingsställen på varje sektion av sladden från mätaren till kontrollen sitter fast; eller så kan anledningen var ett fel på kommunikationssladden (skada eller trasig); i så fall, dra ut och sätt i sladdarna igen eller byt ut dem. 4. Transformatorn är skadad; ersätt transformatorn

Underhållsinstruktioner

Centrera löpbältet och justera bältesspänning

OBS: DRA INTE ÅT BÄLTET FÖR HÅRT. Det kan orsaka begränsad motorfunktion och överdriven slitning av rullarna.

1. Placera löpbältet på plan yta.
2. Kör löpbandet på cirka 3.5 mph.
3. Skulle bältet sitta för långt till höger, vrid sakta på den högra justeringskruven medsols, kontrollera att avståndet till kanten ökar tills bandet är centrerat. (OBS! avstånd mellan bältet och den högra/vänstra kanten är normalt men borde inte överstiga 5 mm.
4. Skulle bältet sitta för långt till vänster, vrid sakta på den vänstra justeringskruven medsols, kontrollera att avståndet till kanten ökar tills bandet är centrerat. (OBS! avstånd mellan bältet och den högra/vänstra kanten är normalt men borde inte överstiga 5 mm.

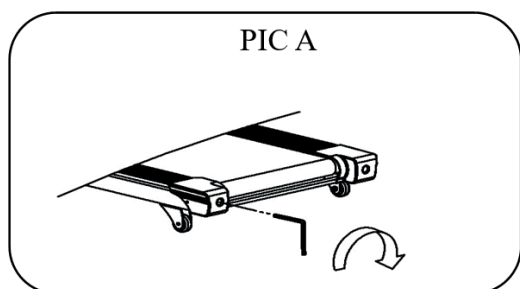


Bild A: Om bältet är för långt åt VÄNSTER

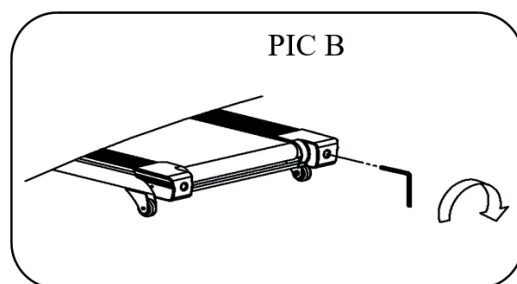


Bild B: Om bältet är för långt till HÖGER

WARNING: Dra alltid ur sladden ur vägguttaget innan rengöring eller underhåll av enheten.

Rengöring

- Regelbunden rengöring av enheten förlänger löpbandets liv. Damma av löpbandet regelbundet. Var noga med att rengöra alla ytor vid sidan av löpbältet och på sidokanten. Det minskar uppbyggnad av främmande material under löpbältet.
- Torka av ovansidan av löpbältet med en fuktig trasa med såpa. Var försiktig för att undvika att vätska kommer in till motordelen från löpbandsramen och undersidan av bältet. Varning: Dra alltid ur sladden ur vägguttaget innan du avlägsnar motorskyddet. Ta av och dammsug under motorskyddet minst en gång om året.

Smörjning av löpbälte och löpdäck

Det här löpbandet har ett förhandssmörjt system som kräver lite underhåll. Bält- och däckfriktion kan spela en stor roll i hur väl och hur länge ditt löpband håller och behöver därför smörjas med jämna mellanrum. Vi rekommenderar en periodisk kontroll av däckets.

Lätt användning (under 3 h/vecka):

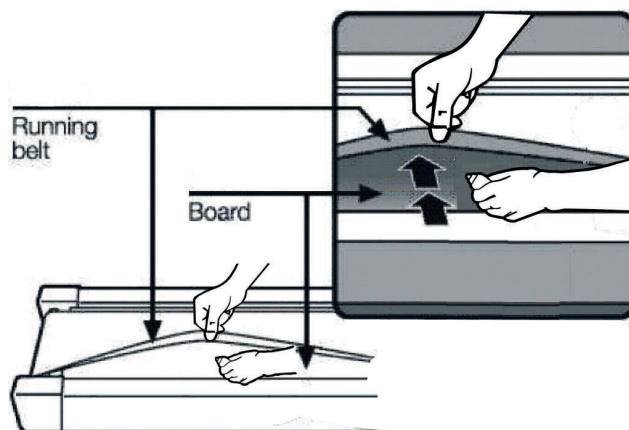
En gång om året

Medelhård användning (3-5 h/vecka):

En gång var sjätte månad

Hård användning (mer än 5 h/vecka):

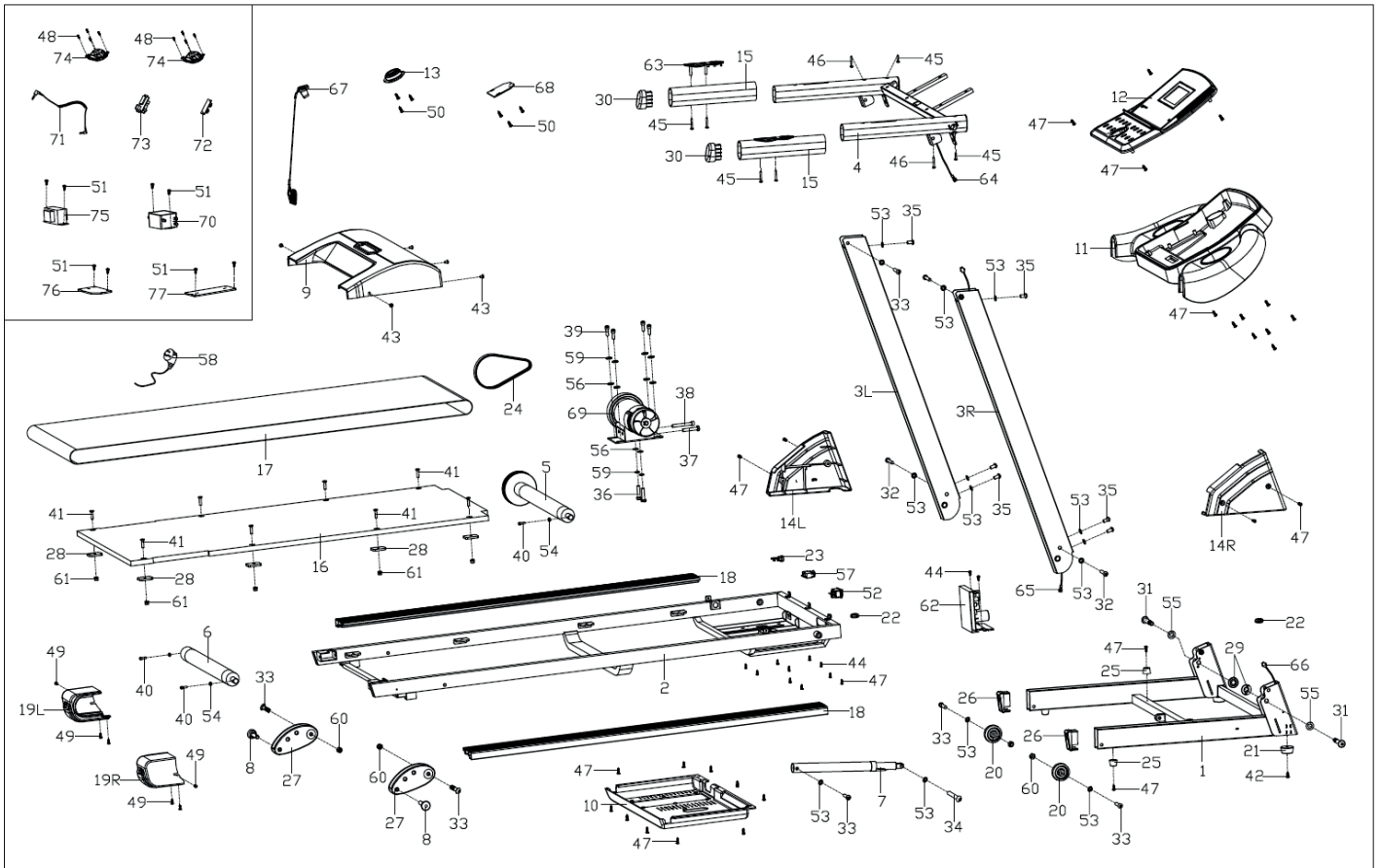
En gång var tredje månad



Delar

SE

Del Nr.	Beskrivning	St.	Del Nr.	Beskrivning	St.
1	Bottenram	1	40	Insexskruv M6x55	3
2	Huvudram	1	41	Insexskruv M6x30	8
3L/R	Stående stativ	1pr.	42	Stjärnskruv med huvud M6x15	2
4	Datorram	1	43	Stjärnskruv M5x8	5
5	Framvals	1	44	Stjärnskruv M4x8	8
6	Bakvals	1	45	Stjärnskruv med huvud ST4x40	6
7	Luftcylinder	1	46	Stjärnskruv med huvud ST4x20	2
8	Justerbar plugg	2	47	Stjärnskruv med huvud ST4x16	34
9	Övre motorkåpa	1	48	Stjärnskruv med huvud ST4x8	8
10	Nedre motorkåpa	1	49	Stjärnskruv ST4x12	6
11	Övre datorkåpa	1	50	Stjärnskruv ST2.9x9.5	6
12	Konsolpanel	1	51	Stjärnskruv M4x8	8
13	Säkerhetsnyckelsbas	1	52	Brytare	1
14L/R	Baskåpa	1pr	53	Låsbricka \varnothing 8x1.2	14
15	Skumgummihandtag	2	54	Låsbricka \varnothing 6x1.2	3
16	Löpbräde	1	55	Platt bricka \varnothing 12x1.0	2
17	Löpbälte	1	56	Platt bricka \varnothing 8x1.5	6
18	Sidoräcken	2	57	Strömbrytare	1
19L/R	Slutstycke	1pr	58	Strömsladd	1
20	Transportvals	2	59	Standard springskiva \varnothing 8	6
21	Platta	2	60	Nylonmutter M8	4
22	Ringslutstycke	2	61	Nylonmutter M6	8
23	Strömsladdsfäste	1	62	Nedre kontroll	1
24	Bälte	1	63	Snabbknappar	2
25	Litet fotstöd	4	64	Övre sladd till dator	1
26	Liten transportvals-slutstycke	2	65	Kopplingsladd till dator	1
27	Justerbar platta	2	66	Bottensladd till dator	1
28	Gummiplatta	8	67	Säkerhetsnyckel	1
29	Plastbricka	2	68	Bakljus	1
30	Platt, inre plugg	2	69	DC-motor	1
31	Bult	2	70	Filter (tillval)	1
32	Insexskruv M8x45	2	71	Ljuduttag (tillval)	1
33	Insexskruv M8x40	7	72	MP3 (tillval)	1
34	Insexskruv M8x25	1	73	Förstärkare (tillval)	1
35	Insexskruv M8x15	6	74	Högtalare (tillval)	2
36	Hexskruv M8x35	2	75	Induktor (tillval)	1
37	Hexskruv M8*45	1	76	Induktorkoppling (tillval)	1
38	Insexskruv M8x60	1	77	Filterkopplingsplatta (tillval)	1
39	Insexskruv M8x18	4			



Garanti

Champion Nordic garanterar att den här produkten är fri från tillverkningsdefekter vad gäller material och hantverk under 2 år i Sverige, Norge, Danmark och Finland. Garantin börjar löpa den dag då produkten köps eller levereras. Champion Nordic har ingen skyldighet att reparera eller ersätta produkter som inte åtföljs av ett giltigt inköpsbevis. Denna garanti gäller endast för produkter som köps och används för hemmabruk och omfattar inte skador som uppstår till följd av missbruk, misslyckande med att följa Champion Nordics instruktioner eller då produkten har modifierats eller utsatts för en ej godkänd reparation, felaktig emballering av ägaren, normalt slitage eller felhantering av ett transportföretag.

Korrekt avfallshantering

Denna symbol på produkten eller i instruktionerna betyder att den ska slängas separat från annat hushållsavfall när den inte fungerar längre. Inom EU finns separata återvinningssystem för avfall. Kontakta lokala myndigheter eller din återförsäljare för mer information.



FRONTIER

Frontier ©
Makadamgatan 14 | 254 64 Helsingborg | Sweden
info@order.se



ADVARSEL!

Læs alle instruktioner omhyggeligt, inden du bruger dette produkt. Opbevar denne manual for fremtidig reference:

- Når du bruger dette løbebånd, skal du fortsætte med at fastgøre sikkerhedsklemmen på dit tøj.
- Når du løber, skal du holde din hånd naturligt svingende, se fremad, se aldrig ned på dine fødder.
- Øg hastigheden trin for trin, når du løber.
- I en nødsituation skal du straks trykke på stop-knappen.
- Træd ned fra løbebåndet, når løbebåndet er helt stoppet.

Forsigtig: Læs monteringsinstruktionerne omhyggeligt, følg instruktionen, når du samler produktet.

VIGTIGE SIKKERHEDSFORANSTALTNINGER

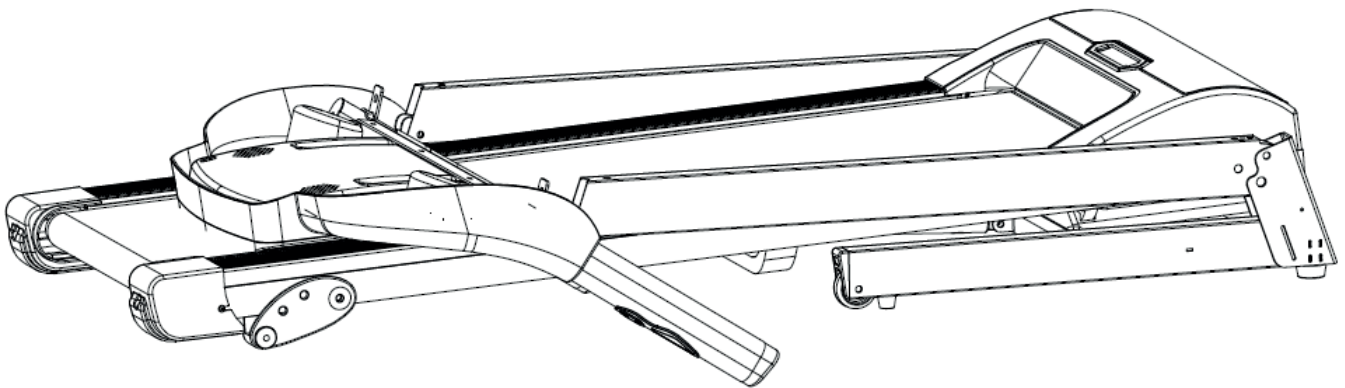
1. Før du starter et træningsprogram, bør du konsultere din læge eller en sundhedsperson. For at forhindre skader bør du varme op inden træning. Løbebåndet er kun beregnet til voksne.
2. Kontroller, at alle bolte er låst.
3. Placer aldrig løbebåndet i et vådt / fugtigt miljø.
4. For at forlænge dette produkts levetid er det vigtigt at udføre løbende vedligeholdelse.
5. **ADVARSEL:** For at undgå elektriske stød skal du altid tage stikket ud af maskinen før rengøring eller service.
6. Placer aldrig løbebåndet på et tykt tæppe for at undgå skader på både tæppe og produkt.
7. Sørg for at have mindst en meters afstand til det nærmeste faste objekt.
8. Lad aldrig små børn bruge eller være i nærheden af løbebåndet.
9. Hold dine hænder væk fra alle bevægelige dele.
10. Brug ikke produktet, hvis den elektriske ledning er beskadiget.
11. Hold ledningen væk fra alle varme overflader (f.eks. radiatorer).
12. Dette løbebånd er beregnet til hjemmebrug og er derfor ikke tilpasset til professionel brug.
13. Frakobl aldrig den elektriske ledning, når båndet er i bevægelse.
14. Den anbefalede temperatur for anvendelse er 5-40 °C.
15. Afbryd strømmen, når udstyret ikke bruges. Når strømmen er afbrudt, skal du ikke trække i hovedledningen, da den kan gå i stykker.
16. Maksimal vægt for brugeren: 100 kg.
17. Sæt løbebåndets hovedledning direkte i et jordforbundet kredsløb.
18. Placer løbebåndet på en ryddet, plan overflade. Placer ikke løbebåndet på et tykt tæppe, da det kan forstyrre ventilationen. Placer ikke løbebåndet i nærheden af vand eller udendørs.
19. Start aldrig løbebåndet, mens du står på det. Når du har tændt for strømmen og justeret hastighedskontrollen, kan der forekomme en pause, før båndet begynder at bevæge sig. Stå altid på fodskinnerne på siderne af rammen, indtil båndet bevæger sig.
20. Hav passende tøj på, når du træner på løbebåndet. Bær ikke langt, løst tøj, der kan fanges i løbebåndet. Bær altid løbe- eller aerobicsko med gummisåler.
21. Sørg for, at strømforsyningen er tilsluttet, og at sikkerhedslåsen virker, før du bruger løbebåndet. Sæt den ene side af sikkerhedslåsen på løbebåndet og den anden side på dit tøj eller bælte, så du kan trække sikkerhedslåsen hurtigt af i en nødsituation.
22. Hold altid fast i gelænderet, når du starter med at gå eller løbe på løbebåndet, indtil du føler dig tilpas med at bruge løbebåndet.
23. Sæt altid sikkerhedsklemmen på dit tøj, når du bruger løbebåndet. Hvis løbebåndet pludselig skulle stige i hastighed på grund af en elektronisk fejl, eller hastigheden øges utilsigtet, stopper løbebåndet, når klemmen kobles fra konsollen.
24. Hvis strømkablet er beskadiget, skal det udskiftes af fabrikanten, dennes serviceagent eller lignende kvalificerede personer for at undgå fare.

25. Sørg for, at løbebåndet er stoppet, før det foldes sammen. Brug det ikke, når du har foldet det sammen.
26. I tilfælde af anormaliteter under anvendelse skal du straks fjerne sikkerhedsklemmen, gribe fat i gelænderet og hoppe op på de to kanter. Derefter skal du gå af løbebåndet efter stop.
27. Når løbebåndet ikke er i brug, skal hovedledningen tages ud af stikket, og sikkerhedsklemmen fjernes.

Montering

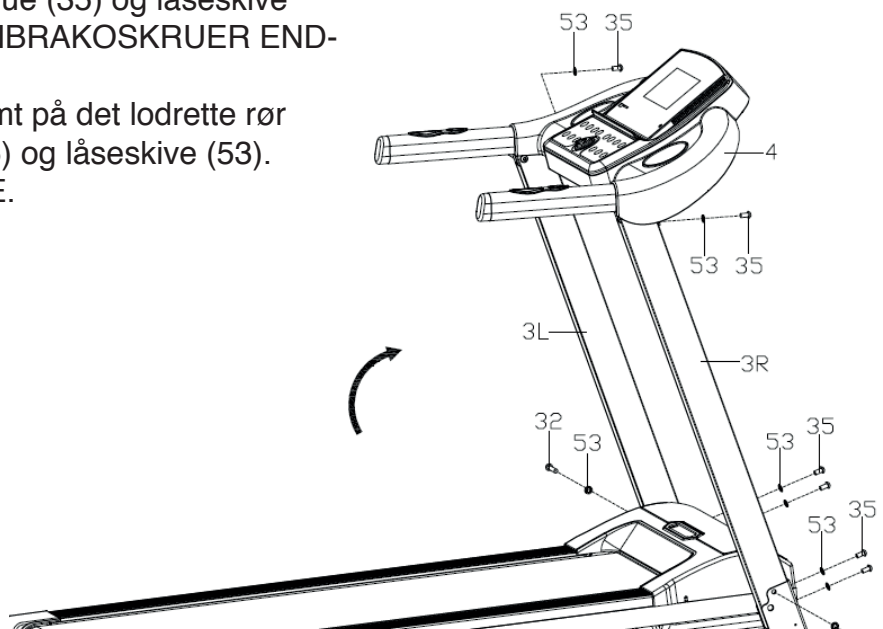
Trin 1:

1. Åbn pakken, tag alle dele ud, og placer hovedrammen på flad jord. (SKÆR IKKE PAKKESNORENE AF ENDNU).



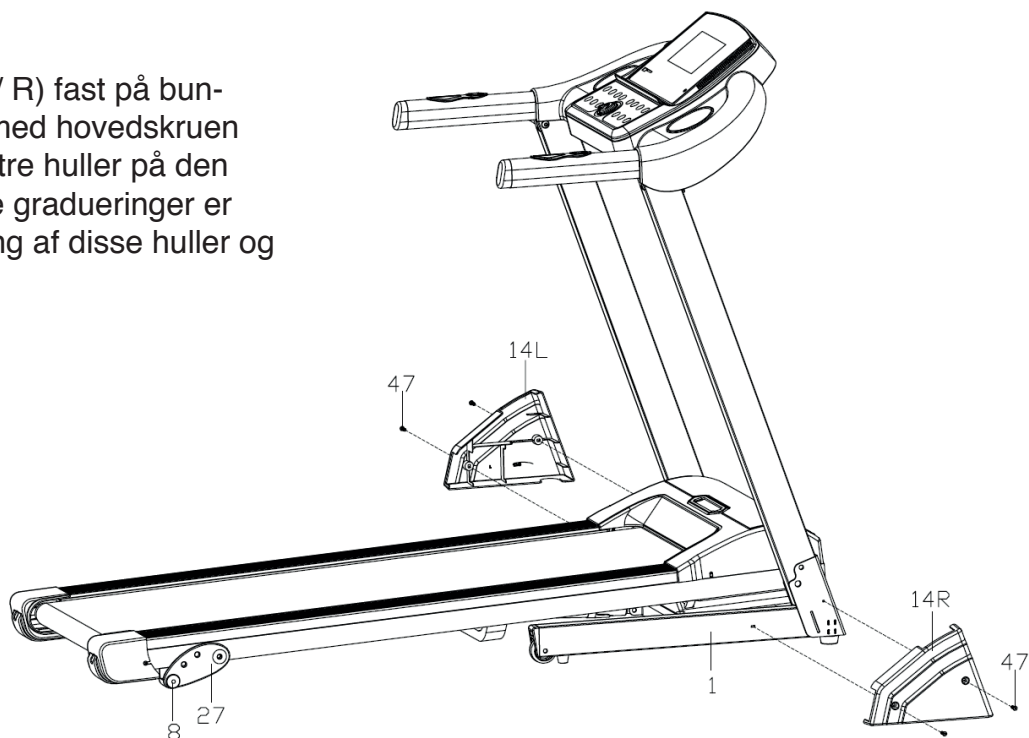
Trin 2:

1. Klip snorene af, når hovedrammen er godt placeret (BEMÆRK: Flyt den ikke mere)
2. Løft kombinationen af lodret rør (3L / R) og computerrammen (4) i pilens retning som vist.
3. Lås det lodrette rør (3L / R) på bundrammen (1) med unbrakoskrue (32), unbrakoskrue (35) og låseskive (53). SPÆND IKKE DE TO UNBRAKOSKRUER ENDNU.
4. Lås computerrammen (4) stramt på det lodrette rør (3L / R) med unbrakoskrue (35) og låseskive (53). STRAM NU ALLE SKRUEERNE.



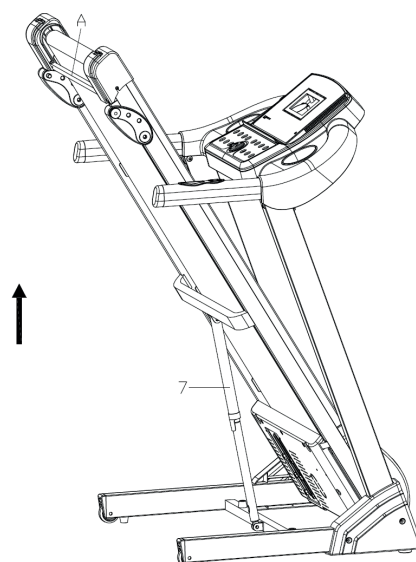
TRIN 3:

1. Sæt bunddækslet (14L / R) fast på bundrammen (1), fastgjort med hovedskruen (47). BEMÆRK: Der er tre huller på den justerbare pude (27), tre gradueringer er tilgængelige ved justering af disse huller og det justerbare stik (8).



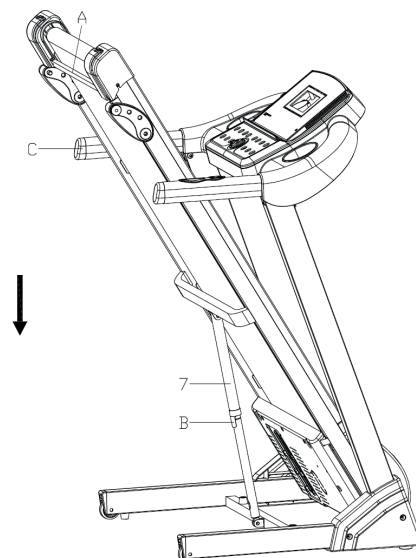
Trin 4: (Fold maskinen)

1. Placer dine hænder på A, løft maskinen, og skub den derefter i pilens retning, stop, når du hører lyden fra cylinderen (7). BEMÆRK: Tag stikket ud af kontakten, og sørg for, at løbebåndet er stoppet helt, før det foldes. Brug det ikke, når du har foldet løbebåndet.



Trin 5: (Fold maskinen ud)

1. Tag fat i A med dine hænder, klik på plads B af cylinder (7) ved din højre fod, skub løbebåndet til niveauet C, så flyttes båndet automatisk ned.



Teknisk parameter

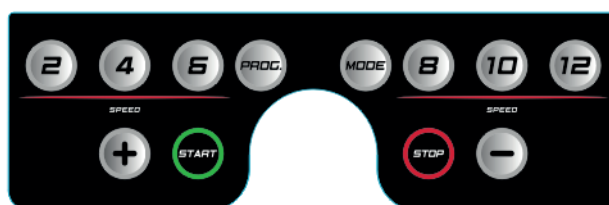
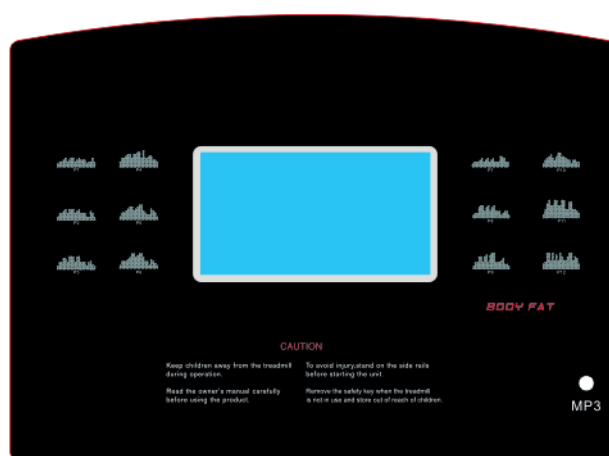
MONTERINGSSTØRRELSE (mm)	1520x752x1180
FOLDESTØRRELSE (mm)	900x740x1325
LØBEOVERFLADE (mm)	430x1200
NETVÆGT	46 KG
MAKS. VÆGT	100 KG
HASTIGHEDSINTERVAL	0.8-12 KM/H
STIGNING	MANUAL 3-NIVEAU

DA

Betjeningsvejledning

Funktionsspecifikationer

- Start:** Normal opstart efter tre sekunders nedtælling.
- Antal programmer:** Manuelle tilstande, tolv eksisterende programmer, tre brugerindstillingsprogrammer, tre HRC, FAT.
- Sikker låsefunktion:** At fjerne sikkerhedslåsen i alle modes kan hurtigt bremse løbebåndet indtil stop. "---" vil vises øjeblikkeligt på skærmen, og en summende lyd vil høres. Knapperne kan ikke bruges i denne tilstand. Gendan sikkerhedslåsen, skærmen vises i to sekunder, og derefter vil maskinen gå i standbytilstand, vent på indtastning af kommandoer.



Hovedfunktion

- START:** Tryk på "START" når løbebåndet er i stoppet tilstand, hastigheden vil vises som "0.8", løbebåndet starter.
- STOP:** Tryk på "STOP" når løbebåndet er i gang, data vil slettes, og løbebåndet vil gå i manuel tilstand efter stop.
- PROG.:** I standby-tilstand, tryk på en funktion, du kan vælge manuel-tilstand "0.0" til "P1-P12", "U1-U3", 3HRC (valgfrit) og FAT forskellige programmer; manuel-tilstand er standard-tilstand, standardhastigheden er 0,8 Km/t, den maksimale hastighed er 12,0 km/t.

TILSTAND: In standby-tilstand, tryk på en funktion, du kan gentage H-1 til H-3 i forskellige nedtællingstilstande. H-1 er tidsnedtællingstilstand, H-2 er distancenedtællingstilstand, H-3 er kalorienedtællingstilstand; alle tilstandsparametre kan indstilles ved hastighed +/-, og tryk "START" for at starte løbebåndet.

HASTIGHED: "SPEED+" og "SPEED -" er accelerations- og nedtrapningstaster, de kan bruges til at justere parameterindstillingen, når du indstiller parametre for løbebåndet. Når løbebåndet er i gang, bruges de til at justere hastigheden i 0,1 km/t; efter at have holdt mere end to sekunder realiseres automatisk kontinuerlig acceleration og nedtrapning. Der er hurtigtaster på gelænderet.

Hastighed genvej: Hastigheden kan justeres til 2 km/t, 4 km/t, 6 km/t, 8 km/t, 10 km/t og 12 km/t med hastighedsgenvejsknappen, når løbebåndet er i gang.

BEMÆRK: Når sikkerhedslåsen er taget af, tryk "PROG." + "MODE" knapperne i fem sekunder, skærmen skifter mellem det angloamerikanske og det metriske system. "12.0" på skærmen betyder metrisk system/"7.5" betyder angloamerikansk system.

Displayfunktioner

Hastighedsdisplay

Viser den nuværende hastighed.

Tidsdisplay

Viser løbetid i manuel tilstand eller nedtælling af løbetid i tilstanden og programmeret tilstand.

SKRIDT/DIS./CAL.display

Skift mellem distance eller nedtællingsdistance, kalorie- eller nedtællingskalorie og aktuelle løbeskridt.

BEMÆRK: Skridt kan ikke ses, når hastigheden er mindre end 3,0 km/t eller mere end 16 km/t på grund af forskelle i brugerens vægt og skridthastighed.

Hjerterytmehdisplay

Opfanger hjerterytmesignaler og viser pulsværdier.

Oliefindikator vindue:

"Smørings"-påmindelse. Displayet vil oplyse -ikonet, når der er behov for lse.

Datadisplayrækkevide af forskellige parametre:

TIME:	0:00 – 99.59 (MIN)
DISTANCE:	0.00 – 99.9 (KM)
CALORIES:	0.0 – 999 (KC)
SPEED:	0.8 – 12.0 (KM/T)
PULSE:	50 – 200 (BPM)

Funktion for måling af hjertefrekvens

Mens løbebåndet er tilsluttet strømmen, skal du holde pulstesteren i fem sekunder, og hjertefrekvensværdien vises. Den oprindelige værdi er den målte hjerterytmeh, og dens visningsområde er: 50-200 gange/minutter. I hjerteslagsmålingsprocessen blinker der et hjerteformet ikon. Den viste hjertefrekvens er kun til reference og kan ikke bruges som medicinske data.

Manuelle tilstande

Sådan åbnes manuel tilstand:

1. Tænd for strømforsyningen; gå derefter direkte i normal tilstand under den manuelle tilstand.
2. Tryk på MODE i stoptilstand for at vælge tilstanden Normal, Nedtælling af tid, Nedtælling af kalorier og Nedtælling af distance i den manuelle tilstand.

Funktionsindstillinger i manuel tilstand: Tid-, Distance- og Kalorieindstillinger

1. Når maskinen går i manuel tilstand, vises tiden 0:00;
2. I manuel tilstand skal du trykke på MODE for at åbne Time Countdown-tilstand; tidsvinduet viser tid og blinker; den første tid er 30:00; indstil nedtællingstid med SPEED + / SPEED -. Tidsindstillingsinterval: 5: 00-99: 00; hver stigning / fald er 1: 00.
3. I tidsnedtællingstilstand skal du trykke på MODE for at åbne tilstanden Distance Countdown; den oprindelige distance vises som 1,00 km; indstil distancen med SPEED + / SPEED - i intervallet 1,0-99,0 km/mi; hver stigning / fald er 1 km.
4. I distancenedtællingstilstand skal du trykke på MODE for at åbne Calorie Countdown-tilstand; den oprindelige distance vises som 50,0 kcal; indstil kalorierne ved SPEED + / SPEED - i intervallet 20,0-990,0 kcal; hver stigning / fald er 10,0 kcal.

Betjening i manuel tilstand

1. Tryk på START, og motoren begynder at køre efter tre sekunders nedtælling; den oprindelige hastighed vil være 0,8 km/t for metrisk system eller 0,5 MPH for angloamerikansk system;
2. Tryk på SPEED + / SPEED - for at justere hastigheden;
3. Tryk på hurtigtasterne for hurtigt at indstille den hastighed, der er markeret på tasten;
4. Når motoren kører, kan du trykke på STOP, og motoren vil bremse ned og til sidst stoppe;
5. Fjern sikkerhedslåsen for hurtigt at stoppe motorens kørsel; derefter viser LCD-skærmen "---", og der afgives en kort Bi-Bi-Bi-lyd.
6. Når den indstillede tid reduceres, kalorier eller distance reduceres til nul, reduceres hastigheden gradvist, indtil maskinen stopper, der vil høres en kort "Bi-Bi-Bi"-alarm, Og hastighedsdisplayet viser END; Fem sekunder senere vender maskinen tilbage til standby-tilstand, og der vil høres en lang "Bi-Bi"-lyd;
7. Parametre, der ikke er indstillet, øges fremad og nulstilles efter at have nået den øverste grænse for displayområdet; i manuel tilstand stopper maskinen, når tiden er mere end 99:59 (100 min).

Indstillede programmer

Hvert program er opdelt i 20 sektioner; driftstiden fordeles jævnt til hvert programafsnit. Nedenfor er der 12-sektions løbeprogram.

program	time	Setup time / 20 = each segment of the running time																			
		1	2	3	4	5	6	7	8	9	10	11	12	13	14	15	16	17	18	19	20
P01	SPEED	2	3	3	4	5	3	4	5	5	3	4	5	4	4	4	2	3	3	5	3
P02	SPEED	2	4	4	5	6	4	6	6	6	4	5	6	4	4	4	2	2	5	4	2
P03	SPEED	2	4	4	6	6	4	7	7	7	4	7	7	4	4	4	2	4	5	3	2
P04	SPEED	3	5	5	6	7	7	5	7	7	8	8	5	9	5	5	6	6	4	4	3
P05	SPEED	2	4	4	5	6	7	7	5	6	7	8	8	5	4	3	3	6	5	4	2
P06	SPEED	2	4	4	4	5	6	8	8	6	7	8	8	6	4	4	2	5	4	3	2
P07	SPEED	2	3	3	3	4	5	3	4	5	3	4	5	3	3	3	6	6	5	3	3
P08	SPEED	2	3	3	6	7	7	4	6	7	4	6	7	4	4	4	2	3	4	4	2
P09	SPEED	2	4	4	7	7	4	7	8	4	8	9	9	4	4	4	5	6	3	3	2
P10	SPEED	2	4	5	6	7	5	4	6	8	8	6	6	5	4	4	2	4	4	3	3
P11	SPEED	2	5	8	10	7	7	10	10	7	7	10	10	5	5	9	9	5	5	4	3
P12	SPEED	3	4	9	9	5	9	5	8	5	9	7	5	5	7	9	9	5	7	6	3

Brugerindstillingsprogrammer:

Udover 12-sektions systemet, kan løbebåndet indstilles til tre brugerdefinerede programmer: U1, U2, U3.

1. Tryk kontinuerligt på "PROG"-tasten indtil det forventede program (U1 / U2 / U3) vises i standby-tilstand, mens displayet blinker "TIME", vises indstillingstiden, tryk på "SPEED +", "SPEED -" for at indstille forventet løbetid, tryk på "MODE"-tasten for at åbne programparameter, indstil derefter den første tidsperiode-parameter med "SPEED +"/"SPEED -"-tasten eller genvejstasten for at indstille hastigheden; tryk på "MODE"-tasten for at afslutte den første tidsperiodeindstilling og indtaste den næste tidsperiodeindstilling, indtil alle 20 tidsperiodeindstillinger. Parametrene gemmes permanent indtil nulstilling, og de går ikke tabt, når maskinen slukkes.
2. Vælg og start det brugerdefinerede program:
3. Tryk kontinuerligt på "PROG"-tasten i standby-tilstand indtil det forventede brugerdefinerede program U1 / U2 / U3 vises, indstil løbetid, tryk på "START"-tasten for at tænde løbebåndet.

Test af kropsfedt:

1. Tryk på "PROG" i standby-tilstand for at komme ind i FAT-programmet (Physical fitness test). Tryk på "MODE" for at åbne programmet for F — 1, F — 2, F — 3, F — 4, F — 5 (F — 1: køn, F — 2: alder, F — 3: højde, F — 4: vægt, F — 5: fysisk test). Tryk på SPEED + / SPEED - for at indstille parameteret 01-04 (se nedenstående detaljerede tabel), og tryk derefter på "MODE" for at gå ind i program F-5 til fysisk test. I denne tilstand skal du holde håndtagets pulsbræt i 5-6 sekunder, og så vises FAT, kontroller, om vægten stemmer overens med din højde.
2. FAT er at måle relevansen mellem højde og vægt, ikke kropsproportioner. FAT er egnet til alle mænd og kvinder; det giver vigtige grunde til at justere vægten med andre sundhedsindikatorer. Den perfekte FAT er mellem 20-24, hvilket betyder, at mindre end 19 er for tynd, mellem 25-29 er overvægtig, og mere end 30 er fedme.


HRC Funktion (valgfri)

HRC1 hastighedsgrænse (maks. 4,0 km/t), HRC2 hastighedsgrænse (maks. 2,0 km/t), HRC3 Max:

1. HRC-indstilling efter gentagne gange at have trykket på P-knappen for at komme til HRC, tryk på M for at gå videre til den næste indstilling, juster hastighed eller hældning i overensstemmelse hermed
 - Aldersindstilling: 13-80, standard 30.
 - Målpuls: $(220 \text{ minus alder}) * 0,6$.
 - Målpuls er skiftende og er mellem 0,45 to 0,75 (220 minus alder).
 - Maksimal puls: (220 minus alder).
2. Hastighedsændring:
 - Skift sekvens, HRC opfanger hjerterytme hvert 30. Sekund.
 - Hvis brugerens hjertefrekvens er lavere end målpuls med 30 gange/min, øges hastigheden med 2 km/t.
 - Hvis en sådan forskel er inden for 1-29 gange/min, øges hastigheden med 1 km/t.
 - Omvendt, hvis brugerens hjertefrekvens er højere end målpuls, falder hastigheden, og den samme regel gælder.
3. Under de følgende omstændigheder kører løbebåndet med 1 km/t i 15 sekunder og slukkes derefter automatisk; på 15 sekunder bipper løbebåndet for hvert sekund
 - A: Der blev ikke fundet nogen puls i mere end et minut
 - B: Hjertefrekvensen overstiger $(220 \text{ minus alder})$

Andet

1. Når et nedtællingsparameter udløber, vises "END", alarmen ringer 0,5 sekunder hvert 2. sekund, indtil løbebåndet er stoppet helt, og det vender derefter tilbage til manuel tilstand.
2. Ved indstilling af et parameter kan der være loop-indstilling, for eksempel er tidsintervallet 5:00--99:00, når det er indstillet til 99:00, skal du trykke på "+"-tasten, tiden vender tilbage til 5:00, osv. Øg eller reducer med "+"-of "-"-symbolerne.

3. Nedtællingstid, nedtællingskalorier og nedtællingsdistance kan kun indstilles for en af dem. Den sidste tidsindstilling anvendes. Der vil tælles baglæns, mens andre parametre tæller fremad.
4. Standardkalorie er omkring 70,3 kcal/km.
5. Accelerationen er 0,5 km/s, og nedtrapningen er 0,5 km/s.
6. MP3-lydforstærkning input fra indgangshullet ved siden.
7. I processen vil det ikke-indstillede parameter være akkumuleret, displayet er klart, når det er op til det maksimale interval; i den manuelle tilstand, når tidsakkumuleringen overstiger 99:59 (100 min), stopper løbebåndet.
8. Påmindelse om "smøring": Efter 300 km viser skærmen -ikonet. I standby-tilstand skal du fjerne sikkerhedsklemmen og derefter trykke på "STOP"-knappen, indtil der lyder en summen, dette annullerer denne påmindelse. 300 km senere sker dette igen.

Betydning af fejlmeddelelseskoder

Problem	Potentielle grunde	Løsninger
-----	Sikkerhedslås falder	<ol style="list-style-type: none"> 1. Sæt sikkerhedslåsen tilbage igen; 2. Udskift sikkerhedslåsen eller den magnetiske sensor i den elektroniske måler; udskift den elektroniske måler, hvis problemet stadig ikke er løst;
E01	Efter strømmen er tændt, viser det elektroniske display E01	<ol style="list-style-type: none"> 1. Kontroller, om forbindelsesleddet mellem den elektroniske måler og styringens kerneledning er løs; om ledninger er beskadiget; om kerneledninger er i korrekt forbindelsesrækkefølge. 2. Controlleren kan være defekt. Kontroller og udskift. 3. Den elektroniske controllers IC er muligvis ikke tilsluttet. Kontroller, og sørg for god tilslutning. 4. Transformatoren kan være beskadiget. Kontroller og udskift.
E02	Ekspllosionssikker beskyttelse eller motorisk abnormitet	<ol style="list-style-type: none"> 1. Kontroller, om strømforsyningsspændingen er mindre end 50 % af den normale værdi; Sørg for korrekt spænding, og test igen; 2. Kontroller, om motorledninger er korrekt tilsluttet; tilslut motorledninger igen, eller udskift motoren, hvis problemet stadig ikke er løst, 3. Kontroller, om der er en speciel lugt, der genereres af controlleren; hvis ja, betyder det, at IGBT er ødelagt og har forårsaget kortslutning; udskift derefter controlleren.
E03	Intet sensorisk signal	<ol style="list-style-type: none"> 1. Kontroller, om den fotoelektriske sensor dirigerer til hullet på CD; kontroller, om ledningerne til den fotoelektriske sensor er beskadiget, og om klemmerne på den fotoelektriske sensor og hastighedsterminalerne på regulatoren er korrekt tilsluttet.
E05	Overstrømsbeskyttelse	<ol style="list-style-type: none"> 1. Det kan være systemets selvbeskyttelse mod overdreven strøm, når belastningen overstiger den nominelle værdi; genstart maskinen; 2. En del af løbebåndet sidder fast, så motoren ikke kan dreje, hvilket udløser selvbeskyttelsen af systemet mod overdreven strøm under overdreven belastning; juster løbebåndet og genstart det, eller tilsæt smøremiddel. 3. Kontroller, om der er for høj lyd eller brændende lugt, når motoren kører; udskift motoren; 4. Kontroller, om controlleren udsender forbrændingslugt. Hvis ja, udskift controlleren.
Intet display på den elektroniske måler	Controlleren er ikke tændt eller er beskadiget	<ol style="list-style-type: none"> 1. Kontroller først, om overbelastningsbeskyttelsen er udløst; hvis ja, tryk på den; 2. Kontroller strømforsyningskontakten, overbelastningsbeskyttelsen og controllerens hovedledning og transformer for at sikre en god forbindelse; 3. Kontroller, om hovedledningerne fra den elektroniske måler til controlleren er godt monteret. Demonter søjlen for at kontrollere forbindelsesfuger på hvert afsnit af ledningen fra den elektroniske måler til regulatoren; sikr, at hver ledning er godt forbundet; ellers kan årsagen være, at kommunikationsledningen er defekt (beskadiget eller nedbrudt); i sådanne tilfælde skal du tilslutte eller udskifte ledninger igen. 4. Transformeren er beskadiget; udskift transformeren

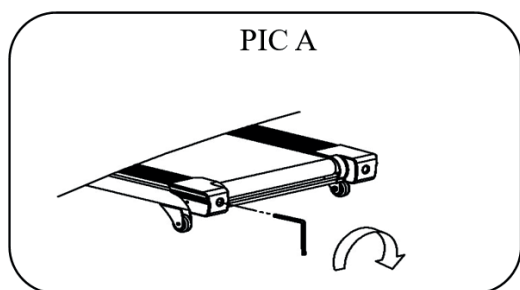
Vedligeholdelsesinstruktioner

Båndcentrering og spændingsjustering

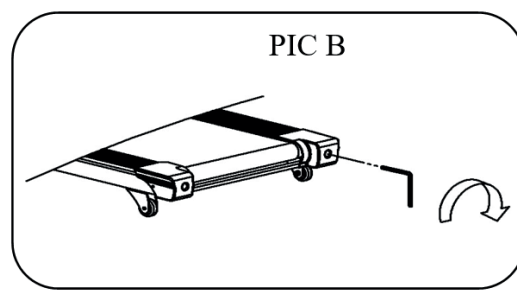
BEMÆRK: STRAM IKKE BÅNDET FOR MEGET. Dette kan medføre reduceret motorpræstation og overdreven rulleslid.

DA

1. Placer løbebåndet på en plan overflade
2. Kør løbebåndet på ca. 3,5 mph
3. Hvis båndet er skævt til højre side, skrues højre justeringsbolt langsomt med uret, og bemærk ændringen af afvigelsesafstanden, indtil båndet centreres. (OBS: afstanden mellem båndet og højre / venstre kant er normalt med afstand. Afstanden mellem højre og venstre må skal ikke være mere end 5 mm.
4. Hvis båndet er skævt til venstre side, skal du skrue venstre justeringsbolt med uret, og bemærk ændringen af afvigelsesafstanden, indtil båndet centreres. (OBS: afstanden mellem båndet og højre / venstre kant er normalt med afstand. Afstanden mellem højre og venstre må skal ikke være mere end 5 mm.



Billede A: Hvis bæltet er drejet til VENSTRE



Billede B: Hvis bæltet er drejet til HØJRE

ADVARSEL: Tag altid løbebåndet ud af stikkontakten før rengøring eller service af enheden.

Rengøring

- Generel rengøring af enheden forlænger løbebåndets levetid. Hold løbebåndet rent ved at støve det af regelmæssigt. Sørg for at rengøre den udsatte del af dækket på hver side af båndet og sideskinnerne. Dette reducerer ophobningen af fremmed materiale under båndet.
- Toppen af båndet kan rengøres med en våd sæbeklud. Vær forsigtig, hold væske væk fra indersiden af den motoriserede løbebåndsramme og fra under båndet. **Advarsel:** Fjern altid løbebåndet fra stikkontakten, før motordækslet fjernes. Fjern motordækslet mindst en gang om året, og støvsug under det.

Løbebånd og smørelse

Dette løbebånd er udstyret med et forsmurt system med lavt vedligeholdelsesdæk. Båndet / dækfriktion kan spille en vigtig rolle i funktionen og levetiden af dit løbebånd, hvilket kræver lejlighedsvis smøring. Vi anbefaler en regelmæssig inspektion af dækket.

Let brug (mindre end 3 timer/ugen):

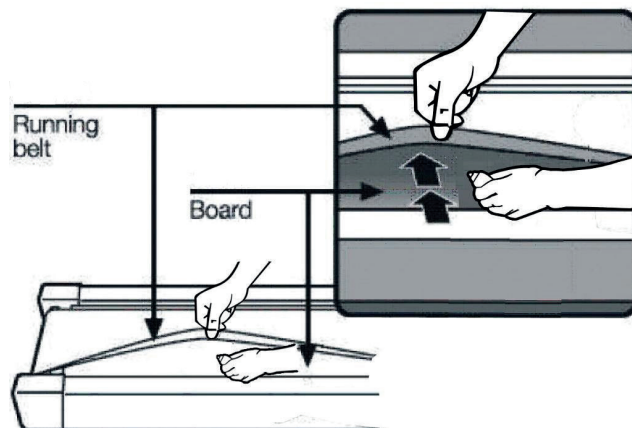
Årligt

Mellem brug (3-5 timer/ugen):

Hvert halvår

Højt brug (mere end 5 timer/ugen)

Hver tredje måned

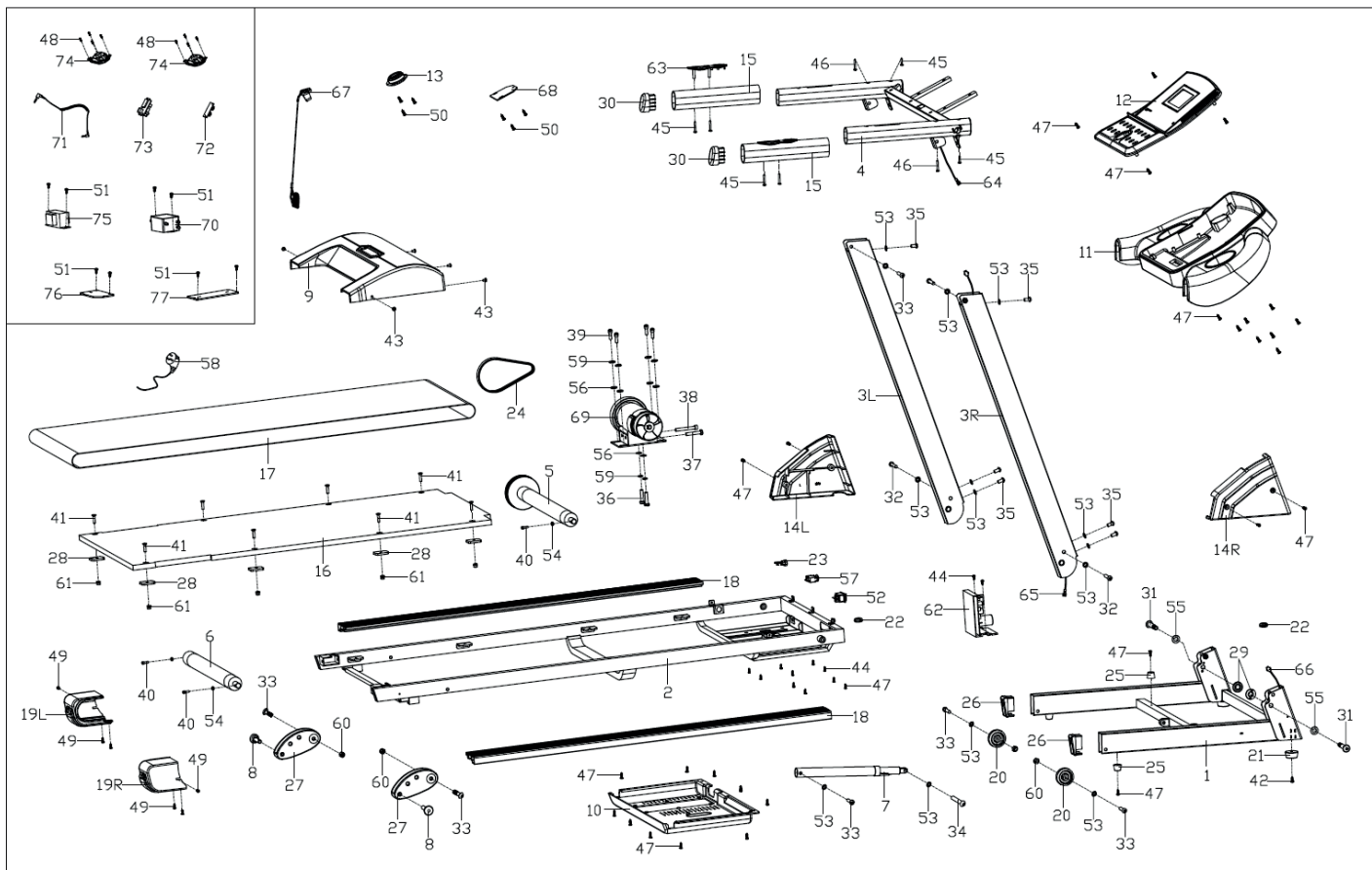


Liste over dele

Del Nr.	Beskrivelse	Antal	Del Nr.	Beskrivelse	Antal
1	Bundramme	1	40	Allen skrue M6x55	3
2	Hovedramme	1	41	Allen skrue M6x30	8
3L/R	Lodret rør	1pr.	42	Skrue med krydset panhoved M6x15	2
4	Computerramme	1	43	Skrue med krydsspor M5x8	5
5	For-ruller	1	44	Skrue med krydsspor M4x8	8
6	Bag-ruller	1	45	Skrue med krydset panhoved ST4x40	6
7	Luftcylinder	1	46	Skrue med krydset panhoved ST4x20	2
8	Justerbare stik	2	47	Skrue med krydset panhoved ST4x16	34
9	Topmotordæksel	1	48	Skrue med krydset panhoved ST4x8	8
10	Bundmotordæksel	1	49	Skrue med krydsspor ST4x12	6
11	Topcomputerdæksel	1	50	Skrue med krydset panhoved ST2.9x9.5	6
12	Konsolpanel	1	51	Skrue med krydset panhoved M4x8	8
13	Sikkerhedslås base	1	52	Knap	1
14L/R	Basedæksel	1pr	53	Låseskive \varnothing 8x1.2	14
15	Skumgreb	2	54	Låseskive \varnothing 6x1.2	3
16	Løbebræt	1	55	Flad skive \varnothing 12x1.0	2
17	Løbebånd	1	56	Flad skive \varnothing 8x1.5	6
18	Sidegelænder	2	57	Strømafbrøder	1
19L/R	Endedæksel	1pr	58	Strømledning	1
20	Transportruller	2	59	Standard springskrive \varnothing 8	6
21	Flad plade	2	60	Nylonmøtrik M8	4
22	Ringendedæksel	2	61	Nylonmøtrik M6	8
23	Strømledningsspænde	1	62	Nedre kontrol	1
24	Bælte	1	63	Hurtigknap	2
25	Lille fod-plade	4	64	Computer topledning	1
26	Lille transportruller endedæksel	2	65	Computer forbindelsesledning	1
27	Justerbar plade	2	66	Computer bundledning	1
28	Gummi plade	8	67	Sikkerhedsnøgle	1
29	Plastfastgøringsskive	2	68	Baglys	1
30	Oblat indvendigt stik	2	69	DC motor	1
31	Bolt	2	70	Filter (valgfrit)	1
32	unbrakoskrue M8x45	2	71	Stik til audio (valgfrit)	1
33	unbrakoskrue M8x40	7	72	MP3 (valgfrit)	1
34	unbrakoskrue M8x25	1	73	Forstærkertavle (valgfrit)	1
35	unbrakoskrue M8x15	6	74	Højtaler (valgfrit)	2
36	Hex bolt M8x35	2	75	Spole (valgfrit)	1
37	Hex skrue M8*45	1	76	Spolingskoblingsplade (valgfrit)	1
38	Allen skrue M8x60	1	77	Filterkoblingsplade (valgfrit)	1
39	Allen skrue M8x18	4	78		

DA

DA



Garanti

Champion Nordic garanterer at dette produkt ikke har nogen fremstillingsfejl i forhold til materiale og forarbejdning. Garantien gælder i to år i Sverige, Norge, Danmark og Finland. Garantien begynder fra den dag hvor produktet købes eller leveres. Champion Nordic er ikke forpligtet til at reparere eller erstatte produkter som ikke er ledsaget af et gyldigt købsbevis. Denne garanti gælder kun for produkter som er købt og brugt derhjemme, og den omfatter ikke skader som er opstået som følge af misbrug, manglende opmærksomhed på Champion Nordics instruktioner, modifikationer, ikke-godkendte reparationer, forkert indpakning fra ejerens side, normal slitage eller fejlhåndtering hos et transportfirma.

Korrekt affaldshåndtering

Dette symbol på produktet eller i instruktionerne betyder at det skal smides ud separat fra andet husaffald, når det ikke fungerer længere. I EU findes separate genbrugssystemer for affald. Kontakt de lokale myndigheder eller din sælger for mere information.



FRONTIER

Frpntier®
Makadamgatan 14 | 254 64 Helsingborg | Sweden
info@order.se



ADVARSEL!

Les alle instruksjoner nøye før dette produktet tas i bruk. Behold denne manualen for fremtidig behov:

- Fest alltid sikkerhetsbåndet til klærne dine når du bruker denne tredemøllen.
- Beveg hendene naturlig når du løper. Se fremover, aldri ned på føttene dine.
- Øk farten gradvis når du løper.
- Bruk «nødstop»-knappen øyeblikkelig hvis det oppstår en nødsituasjon.
- Vent til løpebeltet har stoppet helt før du går av tredemøllen.

Forsiktig: Les alle instruksjoner for montering nøye, og følg dem når du monterer maskinen.

VIKTIGE SIKKERHETSFORSKRIFTER

1. Forhør deg alltid med lege eller helsepersonell før du starter et treningsprogram. Varm opp før trening for å forebygge skader. Tredemøllen er kun ment for voksne.
2. Kontroller at alle boltene er festet.
3. Plasser aldri tredemøllen i et vått/fuktig miljø.
4. Det er viktig med regelmessig vedlikehold for å forlenge produktets levetid.
5. **ADVARSEL:** Koble alltid maskinen fra strømmen før rengjøring eller vedlikehold, for å unngå elektrisk støt.
6. Plasser aldri tredemøllen på et tykt teppe, for å unngå skader på teppet og produktet.
7. Sørg for å ha minst 1 meters avstand til nærmeste gjenstand.
8. La aldri små barn bruke, eller være i nærheten av, tredemøllen.
9. Hold hendene unna alle bevegelige deler.
10. Ikke bruk produktet hvis strømledningen er skadet.
11. Hold ledningen unna alle varme overflater (for eksempel radiatorer).
12. Denne tredemøllen er kun ment for bruk i husholdninger og er ikke tilpasset profesjonell bruk.
13. Trekk aldri ut strømledningen mens løpebeltet beveger seg.
14. Anbefalt temperatur ved bruk er 5–40 °C.
15. Slå av strømmen når apparatet ikke er i bruk. Ikke dra i ledningen når strømmen er avslått, for å unngå at ledningen blir skadet.
16. Maksimal vekt for brukeren: 100 kg.
17. Plugg ledningen til tredemøllen rett inn i en egen jordet stikkontakt.
18. Plasser tredemøllen på en ryddig, plan overflate. Ikke plasser tredemøllen på et tykt teppe, da det kan hindre ventilasjon. Ikke plasser tredemøllen ute eller i nærheten av vann.
19. Ikke start tredemøllen mens du står på løpebeltet. Etter at strømmen er slått på og farten er justert, kan det oppstå en liten pause før løpebeltet starter å bevege seg. Stå alltid på fotskinnene på sidene til beltet starter å bevege seg.
20. Bruk passende klær når du trener på tredemøllen. Ikke bruk lange, løse plagg som kan sette seg fast i tredemøllen. Bruk alltid løpesko eller aerobicsko med gummisåler.
21. Sørg for at strømmen er på og sikkerhetslåsen fungerer før du bruker tredemøllen. Fest den ene siden av sikkerhetslåsen på tredemøllen, og den andre på klærne eller beltet ditt. Denne sørger for at du får aktivert sikkerhetslåsen raskt i en nødsituasjon.
22. Hold alltid i håndtakene når du starter å gå eller løpe på tredemøllen, til du er komfortabel med å bruke den.
23. Fest alltid sikkerhetsbåndet til klærne dine når du bruker tredemøllen. Dersom tredemøllen plutselig øker farten på grunn av en teknisk feil, eller farten øker utilsiktet, vil tredemøllen stoppe brått når pinnen trekkes ut av apparatet.
24. Dersom noe unormalt skjer når du bruker maskinen, skal du øyeblikkelig aktivere sikkerhetslåsen, ta tak i håndtakene og hoppe opp på sidekantene. Gå deretter av tredemøllen når den har stoppet.

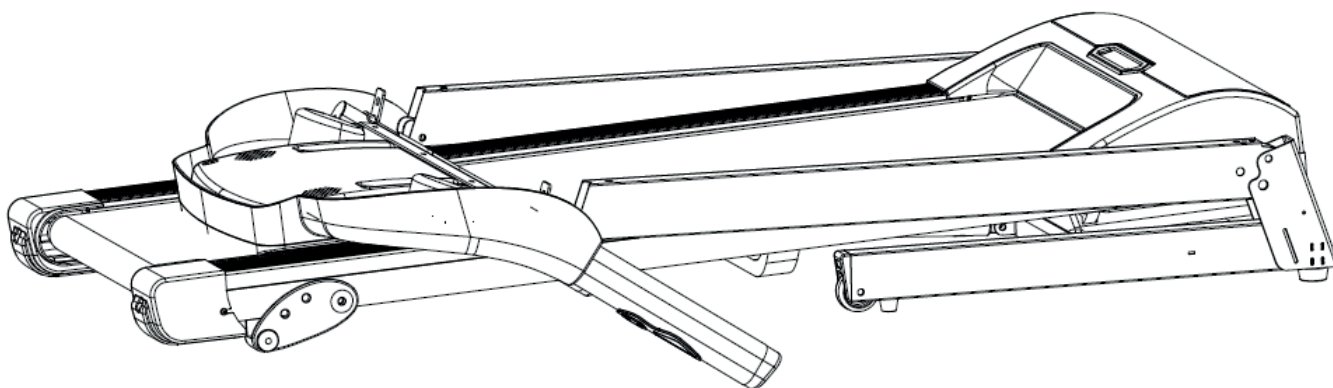
25. Når tredemøllen ikke er i bruk, bør strømledningen trekkes ut og sikkerhetsnøkkelen fjernes.
26. Hvis ledningen er skadet, skal den erstattes av produsenten, servicesenteret eller en tilsvarende kvalifisert person for å unngå fare.
27. Sørg for at tredemøllen har stoppet før du legger den sammen. Vennligst ikke bruk den etter at den er lagt sammen.

NO

Montering

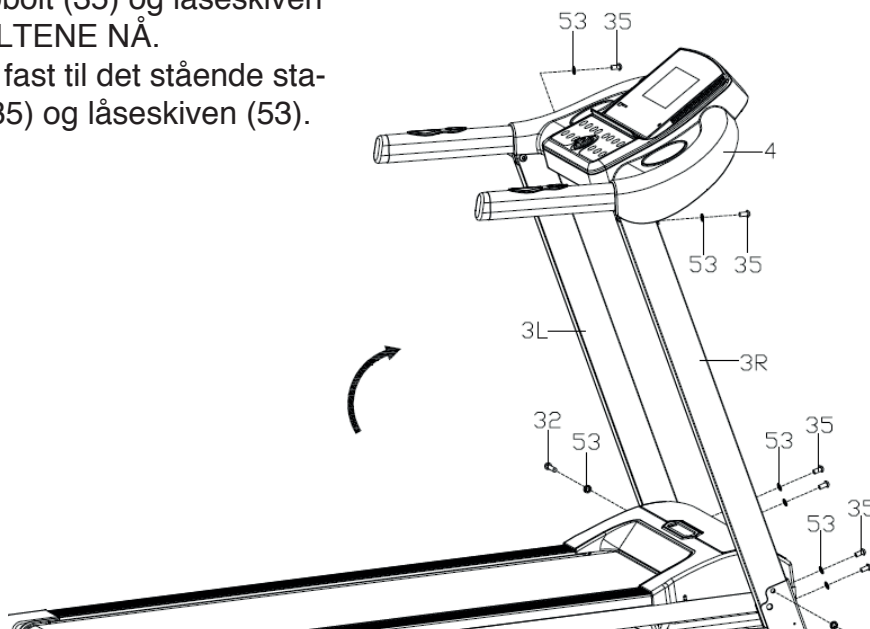
Trinn 1:

1. Åpne pakken, ta ut alle delene og plasser hovedrammen på et flatt gulv (IKKE KLIPP AV EMBALLASJESTROPPENE ENDA).



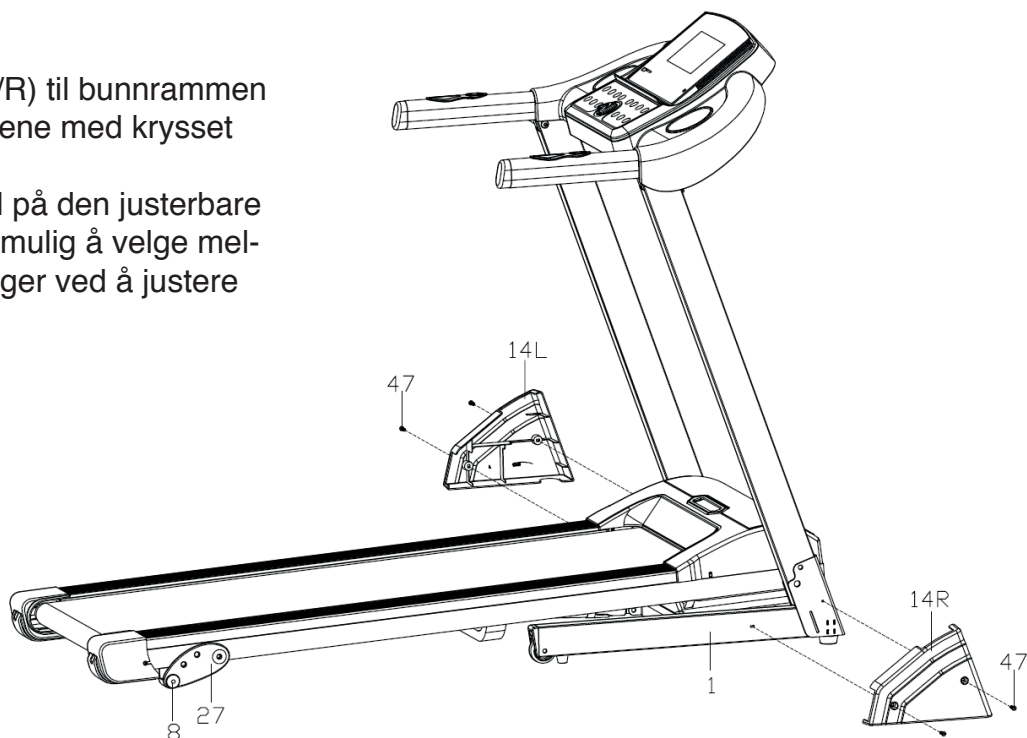
Trinn 2:

1. Klipp av emballasjestroppene når hovedrammen står støtt (MERK: Ikke flytt den mer).
2. Løft kombinasjonen av det stående stativet (3L/R) og computerrammen (4) i retningen som pilen peker.
3. Fest det stående stativet (3L/R) til bunnrammen (1) med unbrakobolt (32), unbrakobolt (35) og låseskiven (53). IKKE STRAM DE TO BOLTENE NÅ.
4. Lås computerrammen (4) godt fast til det stående stativet (3L/R) med unbrakobolt (35) og låseskiven (53). STRAM ALLE BOLTENE NÅ.



Trinn 3:

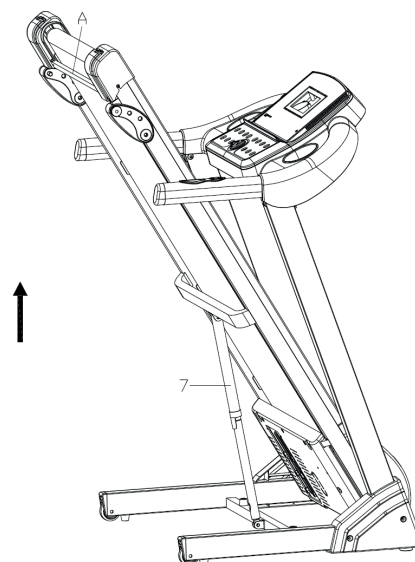
1. Fest bunndekselet (14L/R) til bunnrammen (1) og fest det med skruene med krysset panhode (47).
2. **MERK:** Det finnes 3 hull på den justerbare delen (27) som gjør det mulig å velge mellom 3 forskjellige stigninger ved å justere hullene og pluggen (8).



NO

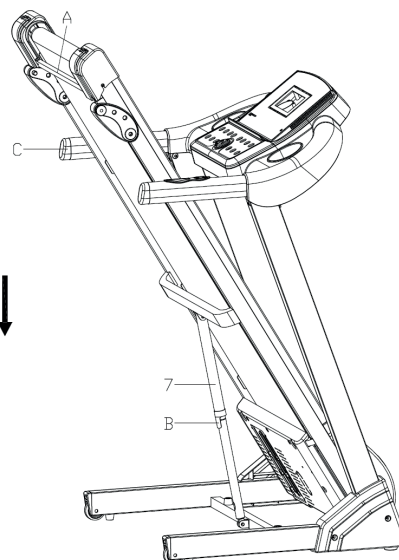
Steg 4: (Legg sammen maskinen)

1. Plasser hendene på A, løft maskinen og skyv den i pilens retning. Stopp når du hører lyden fra cylinderen (7). **MERK:** Trekk ut strømledningen og sørg for at tredemøllen har stoppet helt før du legger den sammen. Vennligst ikke bruk den etter at du har lagt den sammen.



Steg 5: (Sett opp maskinen)

1. Ta tak i A med hendene dine, bruk den høyre foten til å dytte mot B på cylinderen (7), dytt løpebåndet mot plassering C, så vil løpebåndet senke seg automatisk.



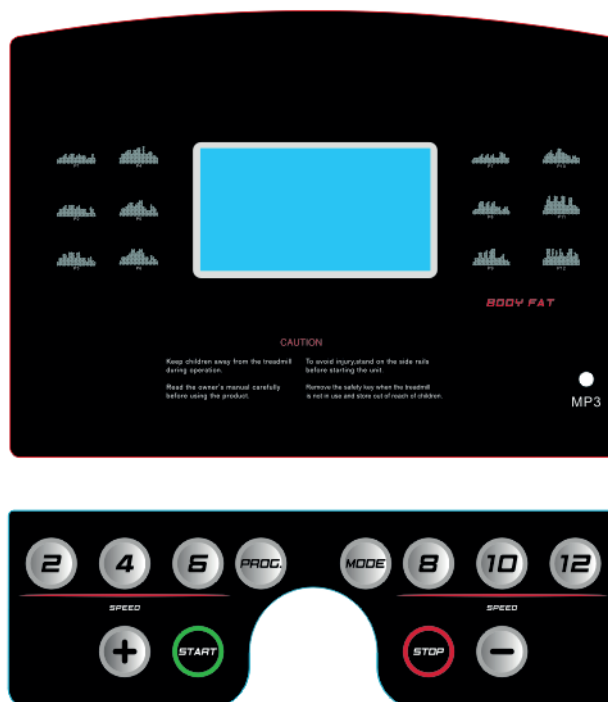
Tekniske parametere

MONTERT STØRRELSE (mm)	1520x752x1180
SAMMENLAGT STØRRELSE (mm)	900x740x1325
LØPEFLATE (mm)	430x1200
NETTOVEKT	46 KG
MAKS. VEKT	100 KG
FARTSSKALA	0,8–12 KM/T
HELLING	MANUELT 3 NIVÅER

Bruksanvisning

Funksjonsspesifikasjoner

- Start:** Starter normalt etter 3 sekunders nedtelling.
- Antall programmer:** Manuelle innstillinger, 12 forhåndsprogrammerte programmer, 3 programmer for brukerinnstillinger, 3 HRC, FAT.
- Sikkerhetslåsfunksjon:** Fjern sikkerhetsnøkkelen i hvilken som helst modus, og tredemøllen senker raskt farten til den stopper. Displayet vil vise «----», og du vil høre en kontinuerlig alarm. I denne tilstanden fungerer ikke knappene. Sett sikkerhetsnøkkelen tilbake på plass, og etter to sekunder går maskinen tilbake til standby. Legg deretter inn kommandoer.



Knappefunksjoner

- START:** Trykk på «START» når tredemøllen står stille. Displayet viser farten «0,8», og tredemøllen starter.
- STOP:** Trykker du på «STOP» mens tredemøllen går, forsvinner alle data, tredemøllen stopper og stiller seg i manuell modus.
- PROG.:** I standbymodus kan du trykke på «PROG.» og velge manuell modus «0,0», «P1–P12», «U1–U3», 3HRC (tilleggsvalg) og FAT med forskjellige programmer. Manuell modus er satt som standard, standardfarten er 0,8 km/t, og maksimal fart er 12 km/t.

- MODE:** Trykk på «MODE» i standbymodus og bla gjennom H-1 til H-3 for ulike nedtellingsmoduser. H-1 er tidsnedtelling, H-2 er avstandsnedtelling, H-3 er kalorinedtelling. Alle parametere kan stilles inn med «speed +/-» - knappen. Trykk på «START» for å starte tredemøllen.
- SPEED:** «SPEED +» og «SPEED -» øker og reduserer farten og kan brukes for å justere parametere når du stiller inn tredemøllen. Når tredemøllen går, kan de brukes for å justere farten med 0,1 km/t. Holder du knappen inne i mer enn 2 sekunder, fortsetter justeringen automatisk. Det er hurtigknapper på håndtakene.

Fartsjustering snarvei: Farten kan justeres direkte til 2 km/t, 4 km/t, 6 km/t, 8 km/t og 10 km/t og 12 km/t med hurtigknappene når tredemøllen går.

MERK: Når sikkerhetslåsen er av, kan du trykke på «PROG» + «MODE» i 5 sekunder. Displayet bytter mellom det metriske og det imperiske (engelske) målesystemet. Når displayet viser «12,0», betyr det «metrisk system»/, mens «7,5» betyr «imperisk system».

Skjermfunksjoner

Speed Display (Hastighet)

Viser løpefarten.

Time Display (Tid)

Viser løpetiden i manuell modus, eller nedtelling hvis løpetiden er programmert.

Steps/Dis./Cal. Display (Skritt/Avstand/Kalorier)

Bytt mellom disse for å vise distanse eller nedtelling av distanse, kalorier eller nedtelling av kalorier og hvor mange skritt man har løpt.

MERK: Telling av løpeskritt er ikke gyldig når farten er under 3,0 km/t eller mer enn 16 km/t, på grunn av forskjeller i brukerens vekt og skrittfrekvens.

Heart Rate Display (Hjerteslag/Puls)

Registrerer puls og viser antall hjerteslag.

Oljeindikator:

Påminnelse om «smøring». Skjermen viser ikonet når det er nødvendig med smøring.

Ulike parameteres verdiskalaer:

TID:	0:00–99,59(MIN)
AVSTAND:	0.00–99,9(KM)
KALORIER:	0.0–999 (KC)
FART:	0,8–12,0(KM/H)
PULS:	50–200 (BPM)

Måling av hjerteslag

Hold pulsmåleren inne i 5 sekunder mens tredemøllen er koblet til strømmen. Antall hjerteslag kommer opp. Den opprinnelige verdien er antall målte hjerteslag, og den ligger mellom 50 og 200 slag/minutt. Under denne prosessen vil et hjertesymbol blinke. Målingen skal kun brukes som et utgangspunkt, og ikke som medisinsk informasjon.

Manuelle moduser

Hvordan bruke manuelle moduser:

1. Skru på strømmen og velg normal modus under manuell modus.
2. Når maskinen står stille, kan du trykke på «MODE» for å velge normal modus, tidsnedtelling, kalorinedtelling eller avstandsnedtelling under manuell modus.

Funksjonsinnstillinger i manuell modus: Tid, avstand og kalorier

1. Når du går inn i manuell modus, vises tiden som 0:00;
2. I manuell modus trykker du på «MODE» for å velge tidsnedtelling. Tidsdisplayet viser tiden og blinker. Utgangspunktet er 30:00, som du kan justere med knappene SPEED +/ SPEED -. Verdiskala for tidsnedtelling: 5:00–99:00; hver tidsøkning/-reduksjon er 1:00.
3. I tidsnedtellingsmodus trykker du på «MODE» for å velge avstandsnedtelling. Utgangspunktet er 1,00 km, som du kan justere med knappene SPEED +/ SPEED -. Verdiskala for avstandsnedtelling: 1,0–99,0 km/mi; hver avstandsøkning/-reduksjon er 1 km.
4. I avstandsnedtellingsmodus trykker du på «MODE» for å komme til kalorinedtelling. Utgangspunktet er 50,0 kcal, som du kan justere med knappene SPEED +/ SPEED -. Verdiskala for kalorinedtelling: 20,0–990,0 kcal; hver kaloriøkning/-reduksjon er 10,0 kcal.

Manuell modus:

1. Trykk på «START», og motoren starter etter 3 sekunders nedtelling. Farten vil starte på 0,8 km/t i det metriske systemet, eller 0,5MPH i det imperiske systemet.
2. Trykk på «SPEED +»/ «SPEED -» for å justere farten.
3. Trykk på hurtigknappene for å justere farten raskt.
4. Hvis du trykker på «STOP» mens motoren går, vil den redusere farten og til slutt stanse.
5. Fjern sikkerhetslåsen for å stoppe motoren raskt. LCD-vinduet vil vise «---», og du vil høre en kort alarm «bi-bi-bi».
6. Når den programmerte tiden reduseres til null, eller når de programmerte kaloriene reduseres til null, vil farten avta gradvis til maskinen stopper. Deretter vil du høre en kort alarm «bi-bi-bi», og skjermen vil vise «END». Etter 5 sekunder vil maskinen gå tilbake til standby, og du vil høre en lengre alarm «bi-bi».
7. Parametere som ikke er stilt inn, vil øke og deretter tilbakestilles når de når den øvre grensen av verdiskalaen. I manuell modus vil maskinen stoppe når tiden går over 99:59 (100 min).

Forhåndsinnstilte programmer

Hvert program er delt inn i 20 seksjoner, og tiden fordeles jevnt mellom alle seksjonene. Under ser du løpediagrammet for 12-seksjonsprogrammet.

time program		Setup time / 20 = each segment of the running time																			
		1	2	3	4	5	6	7	8	9	10	11	12	13	14	15	16	17	18	19	20
P01	SPEED	2	3	3	4	5	3	4	5	5	3	4	5	4	4	4	2	3	3	5	3
P02	SPEED	2	4	4	5	6	4	6	6	6	4	5	6	4	4	4	2	2	5	4	2
P03	SPEED	2	4	4	6	6	4	7	7	7	4	7	7	4	4	4	2	4	5	3	2
P04	SPEED	3	5	5	6	7	7	5	7	7	8	8	5	9	5	5	6	6	4	4	3
P05	SPEED	2	4	4	5	6	7	7	5	6	7	8	8	5	4	3	3	6	5	4	2
P06	SPEED	2	4	4	4	5	6	8	8	6	7	8	8	6	4	4	2	5	4	3	2
P07	SPEED	2	3	3	3	4	5	3	4	5	3	4	5	3	3	3	6	6	5	3	3
P08	SPEED	2	3	3	6	7	7	4	6	7	4	6	7	4	4	4	2	3	4	4	2
P09	SPEED	2	4	4	7	7	4	7	8	4	8	9	9	4	4	4	5	6	3	3	2
P10	SPEED	2	4	5	6	7	5	4	6	8	8	6	6	5	4	4	2	4	4	3	3
P11	SPEED	2	5	8	10	7	7	10	10	7	7	10	10	5	5	9	9	5	5	4	3
P12	SPEED	3	4	9	9	5	9	5	8	5	9	7	5	5	7	9	9	5	7	6	3

Brukerinnstilte programmer:

I tillegg til de 12 interne systemene har tredemøllen 3 brukerdefinerte programmer: U1, U2, U3.

1. I standbymodus holder du inne «PROG.»-knappen til ønsket program (U1/U2/U3) viser seg. Når «TIME»-vinduet blinker, kan du stille inn tiden. Trykk på «SPEED +» og «SPEED –»-knappene for å stille inn ønsket løpetid, og trykk på «MODE» for å legge inn programparametere. Legg deretter inn den første parameteren for tidsperiode med «SPEED +» / «SPEED –»-knappen eller hurtigknappen. Trykk på «MODE» for å avslutte den første tidsperiodeinnstillingen. Legg inn neste innstilling for tidsperiode, inntil alle 20 perioder er stilt inn. Parameterne vil være lagret til de tilbakestilles, og ingen parametere forsvinner når strømmen skrur av.
2. Innstillinger og start av det brukerdefinerte programmet:
3. I standbymodus holder du inne «PROG.» til ønsket brukerdefinerte program U1/U2/U3 vises. Still inn løpetid, trykk på «START» og skru på tredemøllen.

Mål kroppsmasse:

1. I standby trykker du på «PROG.» for å starte FAT-programmet (fitnesstest). Trykk på «MODE» for å starte programmet med F-1, F-2, F-3, F-4, F-5 (F-1: kjønn, F-2: alder, F-3: høyde, F-4: vekt, F-5: fysisk test), Trykk på SPEED +/ SPEED – for å stille inn parameterne 01–04 (se detaljert oversikt under), trykk deretter «MODE» for å starte program F-5 for en fysisk test. Hold fast i pulsmåleren på håndtaket i 5–6 sekunder, og det vil vise FAT. Sjekk om vekten matcher med høyden din.
2. FAT er for å måle forholdet mellom høyde og vekt, det måler ikke kroppsproporsjoner. FAT passer for både menn og kvinner og gir et viktig grunnlag for å justere vekten ut fra andre helseindikasjoner. Perfekt FAT er mellom 20 og 24, som betyr at under 19 er for tynn, mellom 25 og 29 er overvektig og over 30 er kraftig overvektig.


HRC-funksjon (tilleggsvalg)

HRC1 fartsgrense (Maks. -4,0 km/t), HRC2 fartsgrense (maks. -2,0km/t), HRC3 maks.

1. HRC-innstilling. Trykk flere ganger på P-knappen for å komme til HRC, trykk på M for å gå videre til neste innstilling, juster fart og helling.
 - Aldersinnstilling: 13–80, standard 30.
 - Pulsmål: $(220 \text{ minus alder}) * 0,6$.
 - Pulsmål kan endres fra mellom 0,45 til 0,75 (220 minus alder).
 - Maksimal puls: (220 minus alder).
2. Fartsendring:
 - Endre sekvensen, HRC registrerer puls hvert 30 sek.
 - Hvis brukerens puls er lavere enn 30 slag/min under målet, øker farten med 2 km/t.
 - Hvis avviket er innenfor 1–29 slag/min, øker farten med 1 km/t.
 - Vice versa, hvis brukerens puls er høyere enn målet; reduseres farten etter de samme reglene.
3. Under følgende forhold vil tredemøllen gå 1 km/t i 15 sek. og deretter slå seg av automatisk. I disse 15 minuttene piper tredemøllen automatisk hvert sekund.
 - A: Ingen puls oppdaget på mer enn ett minutt
 - B: Pulsen overstiger (220 minus alder)

Annet

1. Når et nedtellingsparameter løper, viser skjermen «END», alarmen lyder i 0,5 sekunder annethvert sekund til tredemøllen stopper helt og går tilbake til manuell modus.
2. En parameter kan stilles inn i sløyfer, for eksempel med tidsinnstilling 5:00--99:00. Når tiden er på 99:00, trykker du på «+»-knappen, og tiden går tilbake til 5:00, og slik fortsetter det. Legg til eller reduser med «+» og «-»-symbolene.

3. Nedtelling av tid, kalorier og avstand kan kun stilles inn for én ting av gangen. Den siste tidsinnstillingen vil implementeres. Parameteren telles bakover, mens andre parametere telles forover.
4. Standard kaloribruk er omtrent 70,3 kalorier/km.
5. Akselerasjonen er 0,5 km/s, og retardasjon er 0,5 km/s.
6. Støtte for MP3-musikk, plugges inn i hullet på siden.
7. Under bruk vil parameterne som ikke er stilt inn, øke, og displayet tilbakestilles når maksimalt nivå er nådd. I manuell modus stopper tredemøllen når tiden overstiger 99:59 (100 min).
8. Påminnelse om «smøring»: Etter hver 300 km vil displayet vise -ikonet. Fjern sikkerhetsnøkkelen i standbymodus og hold «STOP»-knappen inne til du hører en alarm. Dette vil avbryte påminnelsen. Etter 300 km til kommer den tilbake.

Koder for feilmeldinger

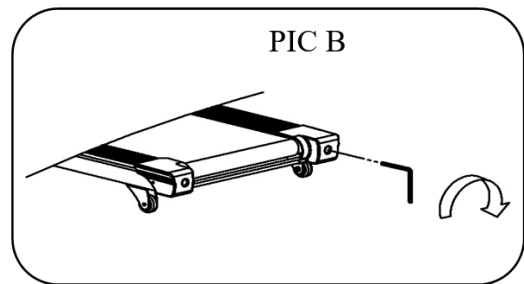
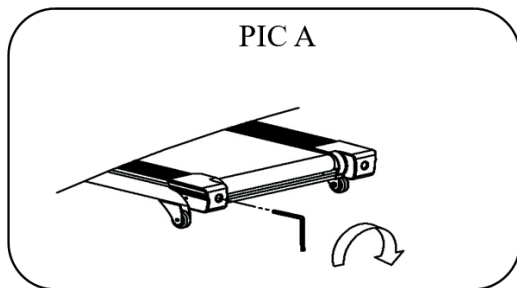
Problem	Mulige årsaker	Løsninger
-----	Sikkerhetslåsen faller av	<ol style="list-style-type: none"> 1. Sett sikkerhetslåsen tilbake. 2. Erstatt bryteren eller den magnetiske sensoren i den elektroniske måleren. Erstatt den elektroniske måleren hvis problemet fortsetter.
E01	Når strømmen slås på, viser den elektroniske måleren E01	<ol style="list-style-type: none"> 1. Undersøk om koblingen mellom den elektroniske måleren og ledningen på kontrolleren er løs, om noen ledninger er skadet, og om ledningene sitter korrekt. 2. Kontrolleren kan være ødelagt. Undersøk og erstatt den med en som virker. 3. Den elektroniske kontrollere IC er kanskje ikke koblet til korrekt. Undersøk, og sørg for at den er koblet til korrekt. 4. Transformatoren kan være skadet. Undersøk og erstatt den med en som virker.
E02	Eksplasjonssikringen eller motoren fungerer ikke som den skal.	<ol style="list-style-type: none"> 1. Sjekk om spenningen på strømuttaket er under 50 % av den normale verdien. Sørg for riktig spenning og prøv igjen. 2. Undersøk om motorens ledninger er ordentlig koblet til. Koble dem til på nytt, eller bytt ut motoren hvis problemet fortsetter. 3. Sjekk om kontrolleren avgir en spesiell lukt. I så fall betyr det at IGBT er ødelagt på grunn av kortslutning. Erstatt kontrolleren.
E03	Ingen signaler fra sensoren	<ol style="list-style-type: none"> 1. Undersøk om den fotoelektriske sensoren leder til hullet i CD-en, undersøk om ledningene er skadet, og om terminalen til sensoren og fartsterminalene på kontrolleren er ordentlig koblet til.
E05	Overspenningsvern	<ol style="list-style-type: none"> 1. Det kan hende systemet beskytter seg selv mot for sterk spenning når effekten overstiger merkespenningen. Start maskinen på nytt. 2. Noen deler av tredemøllen kan være tettet, slik at motoren ikke kan rotere. Det vil trigge systemets egen beskyttelse mot overspenning. Juster tredemøllen og start på nytt, eller bruk smøremiddel. 3. Undersøk om det er en overspenningslyd eller lukter brent mens motoren går. Erstatt motoren. 4. Sjekk om kontrolleren avgir en brent lukt. Hvis ja, erstatt kontrolleren.
Skjermen på den elektroniske måleren virker ikke	Kontrolleren er ikke slått på eller er skadet	<ol style="list-style-type: none"> 1. Undersøk først om overbelastningsbeskyttelsen er aktivert, og trykk i så fall på den. 2. Sjekk strømbryteren, overbelastningsbeskyttelsen og om kontrollerens strømledning og transformator er koblet ordentlig til. 3. Sjekk om strømledningen fra den elektroniske måleren til kontrolleren er ordentlig koblet til, ta den fra hverandre for å sjekke alle tilkoblinger mellom den elektroniske måleren og kontrolleren, sørg for at alle ledninger er koblet ordentlig til. Årsaken kan også være at kommunikasjonsledningen er defekt (ødelagt eller slitt). Sett i så fall alt sammen igjen og erstatt ledningene. 4. Erstatt transformatoren hvis den er skadet.

Instruksjoner for vedlikehold

Sentrering av løpebeltet og justering av spenning

MERK: IKKE OVERSTRAM løpebeltet. Det kan føre til at motorens ytelse reduseres, og til overbelastning av rullemekanismen.

1. Plasser tredemøllen på en flat overflate
2. La tredemøllen gå på cirka 3,5 mph
3. Hvis løpebeltet er skjevt på høyre side, vennligst skru den høyre justeringsbolten langsomt i klokkeretning, og legg merke til hvordan avviket justerer seg til beltet er sentrert. (Obs: Det er normalt at det er litt luft mellom beltet og de høyre/venstre kantene. Forskjellen mellom det høyre og det venstre mellomrommet bør ikke være mer enn 5 mm.)
4. Hvis beltet er skjevt på venstre side, skru den venstre justeringsbolten langsomt i klokkeretning, og legg merke til hvordan avviket justerer seg til beltet er sentrert. (Obs: Det er normalt at det er litt luft mellom beltet og de høyre/venstre kantene. Forskjellen mellom det høyre og det venstre mellomrommet bør ikke være mer enn 5 mm.)



Bilde A: Hvis beltet har forskjøvet seg til VENSTRE Bilde B: Hvis beltet har forskjøvet seg til HØYRE

ADVARSEL: Tredemøllen skal alltid kobles fra strømmen før rengjøring eller vedlikehold av apparatet.

Rengjøring

- Regelmessig rengjøring av apparatet vil forlenge tredemøllens levetid. Hold tredemøllen ren ved å tørke støv av den regelmessig. Sørg for å rengjøre utsatte deler av overflaten på hver side av løpebeltet, og på sidekantene. Det reduserer oppsamling av fremmedlegemer og smuss under beltet.
- Toppen av beltet kan rengjøres med en våt klut med såpe. Vær forsiktig så ikke væske kommer ned til motoren via rammen eller fra undersiden av beltet. **Advarsel:** Koble alltid tredemøllen fra strømmen før du fjerner motordekselet. Fjern motordekselet og støvsug under minst 1 gang/år.

Smøring av løpebeltet og dekket

Denne tredemøllen er utstyrt med et forhåndssmurt system som trenger lite vedlikehold. Beltet/plattformens friksjon kan ha stor innvirkning på funksjonen og levetiden til tredemøllen, så det kan være nødvendig å smøre disse delene av og til. Vi anbefaler periodisk kontroll av plattformen.

Lite bruk (mindre enn 3 ganger/uke):

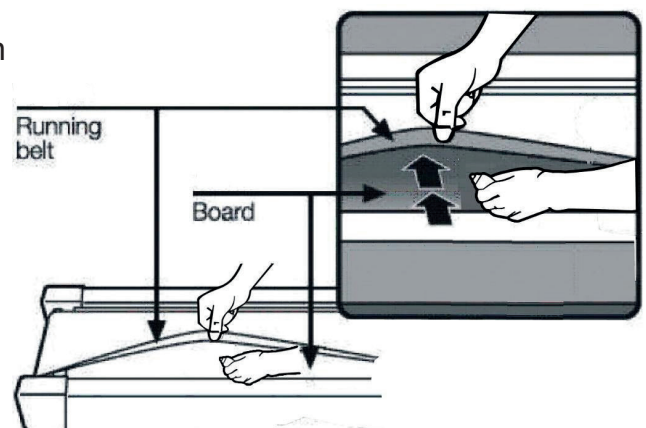
Årlig

Medium bruk (3–5 timer/uke):

Hver sjette måned

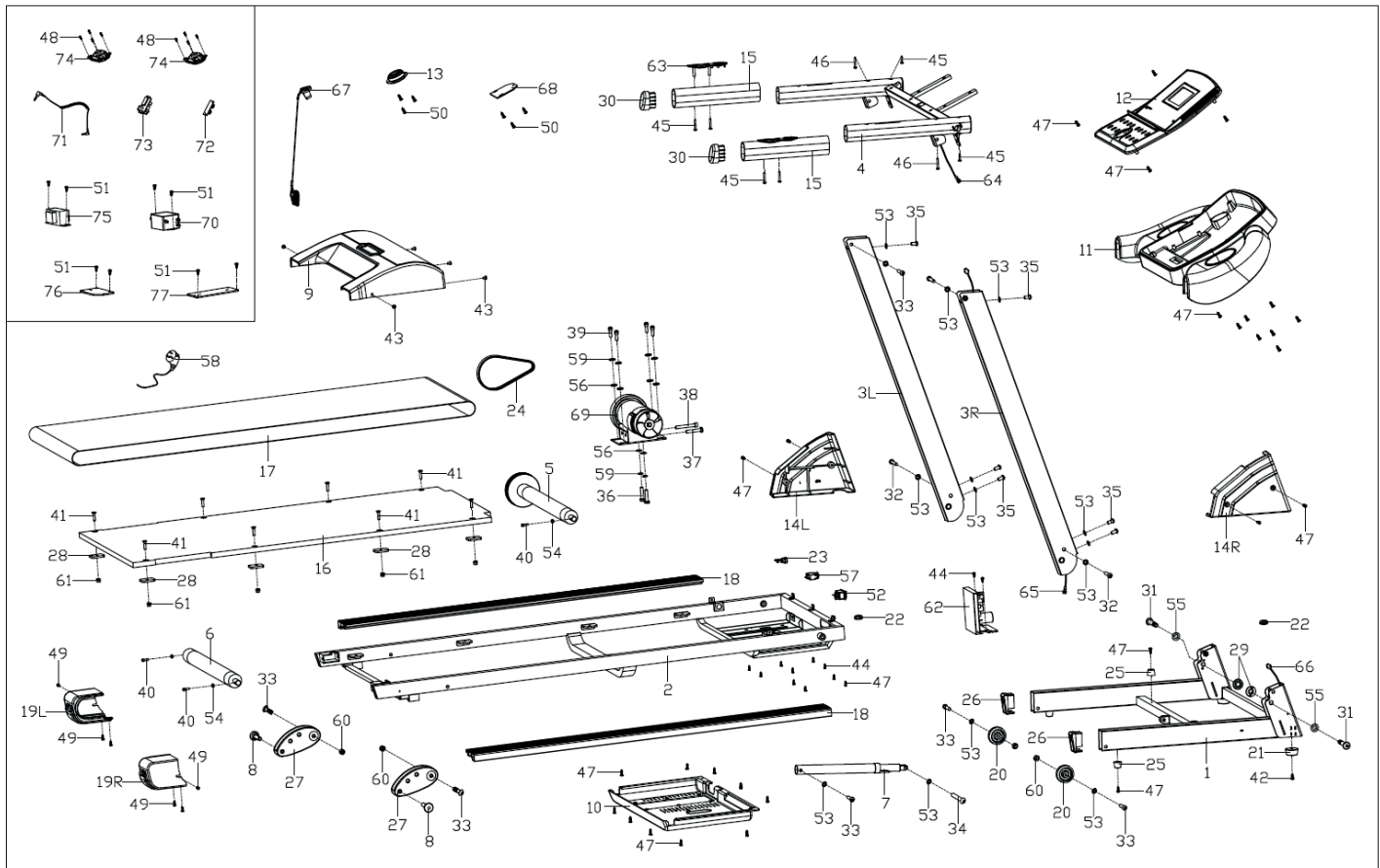
Hypig bruk (mer enn 5 timer/uke)

Hver tredje måned



Deler liste

Del nr.	Beskrivelse	Ant.	Del nr.	Beskrivelse	Ant.
1	Bunnramme	1	40	Unbrakoskrue M6x55	3
2	Hovedramme	1	41	Unbrakoskrue M6x30	8
3L/R	Stående stativ	1pr.	42	Skrue med krysset panhode M6x15	2
4	Computerramme	1	43	Skrue med krysspor M5x8	5
5	Frontvalse	1	44	Skrue med krysspor M4x8	8
6	Bakre valse	1	45	Skrue med krysset panhode ST4x40	6
7	Luftsylinder	1	46	Skrue med krysset panhode ST4x20	2
8	Justerbar plugg	2	47	Skrue med krysset panhode ST4x16	34
9	Motordeksel topp	1	48	Skrue med krysset panhode ST4x8	8
10	Motordeksel bunn	1	49	Skrue med krysspor ST4x12	6
11	Computerdeksel topp	1	50	Skrue med krysspor ST2.9x9.5	6
12	Konsollpanel	1	51	Skrue med krysspor M4x8	8
13	Sikkerhetsnøkkel base	1	52	Bryter	1
14L/R	Basedeksel	1pr	53	Låseskive \varnothing 8x1.2	14
15	Skumgripehåndtak	2	54	Låseskive \varnothing 6x1.2	3
16	Løpebrett	1	55	Flat festeskive \varnothing 12x1.0	2
17	Løpebelte	1	56	Flat festeskive \varnothing 8x1.5	6
18	Sidekant	2	57	Strømbryter	1
19L/R	Endestykke	1pr	58	Strømlledning	1
20	Transportvalse	2	59	Standard springskive \varnothing 8	6
21	Overflate	2	60	Nylonmutter M8	4
22	Rundt endestykke	2	61	Nylonmutter M6	8
23	Strømlledningsfeste	1	62	Nedre kontroll	1
24	Belte	1	63	Hurtigknapp	2
25	Liten fotstøtte	4	64	Computer toppledning	1
26	Liten transportvalse endestykke	2	65	Computer koblingsledning	1
27	Justerbar overflate	2	66	Computer bunnledning	1
28	Gummi-overflate	8	67	Sikkerhetsnøkkel	1
29	Plastfestering	2	68	Baklys	1
30	Oblat indre plugg	2	69	DC-motor	1
31	Bolt	2	70	Filter (tilleggsvalg)	1
32	Unbrakobolt M8x45	2	71	Uttak for audio (tilleggsvalg)	1
33	Unbrakobolt M8x40	7	72	MP3 (tilleggsvalg)	1
34	Unbrakobolt M8x25	1	73	Forsterkertavle (tilleggsvalg)	1
35	Unbrakobolt M8x15	6	74	Høytaler (tilleggsvalg)	2
36	Hexbolt M8x35	2	75	Spole (tilleggsvalg)	1
37	Hex skrue M8*45	1	76	Spolingskobling (tilleggsvalg)	1
38	Unbrakoskrue M8x60	1	77	Filterkoblingsplate (tilleggsvalg)	1
39	Unbrakoskrue M8x18	4	78		



Garanti

Champion Nordic garanterer at dette produktet er fri for fabrikkasjonsfeil når det kommer til materialer og håndverk under 2 år i Sverige, Norge, Danmark og Finland. Garantien starter å løpe den dagen produktet kjøpes eller leveres. Champion Nordic har ikke plikt til å reparere eller erstatte produkter dersom et gyldig innkjøpsbevis ikke følger med. Denne garantien gjelder kun for produkter som kjøpes og brukes til hjemmebruk, og omfatter ikke skader som oppstår som følge av misbruk, svikt i å følge Champion Nordics instruksjoner på grunn av at produktet har blitt modifisert eller utsatt for en godkjent reparasjon, feilaktig pakking av eieren, normal slitasje eller feilhåndtering av et transportforetak.

Korrekt avfallshåndtering

Dette symbolet på produktet eller i instruksjonene betyr at det skal kastes separat fra annet husholdningsavfall når det ikke virker lenger. Det finnes leveringspunkter og gjenbruksstasjoner som skal håndtere denne typen avfall. Kontakt lokale myndigheter eller forhandler for mer informasjon.



FRONTIER

Frontier ©
Makadamgatan 14 | 254 64 Helsingborg | Sweden
info@order.se



VAROITUS!

Lue kaikki ohjeet huolellisesti ennen tämän tuotteen käyttöä. Säilytä tämä käyttöopas tulevaa käyttöä varten:

- Kun käytät tätä juoksumattoa, pidä turvaköysi kiinnitettynä vaatteisiin.
- Kun juokset juoksumatolla, pidä käsi luonnollisessa asennossa, katso eteen, älä koskaan katso alas jalkoihisi.
- Lisää nopeutta askel askeleelta, kun juoksumatto on käynnissä.
- Jos juoksumaton käytön aikana esiintyy hätätilanne, irrota ”emergency stop button” -häätäpainike välittömästi.
- Nouse pois juoksumatolta sen jälkeen, kun juoksumatto on pysähtynyt.

Varoitus: Lue asennusohjeet huolellisesti ja noudata ohjeita aina, kun laitetta kootaan.

TÄRKEITÄ TURVALLISUUSOHJEITA

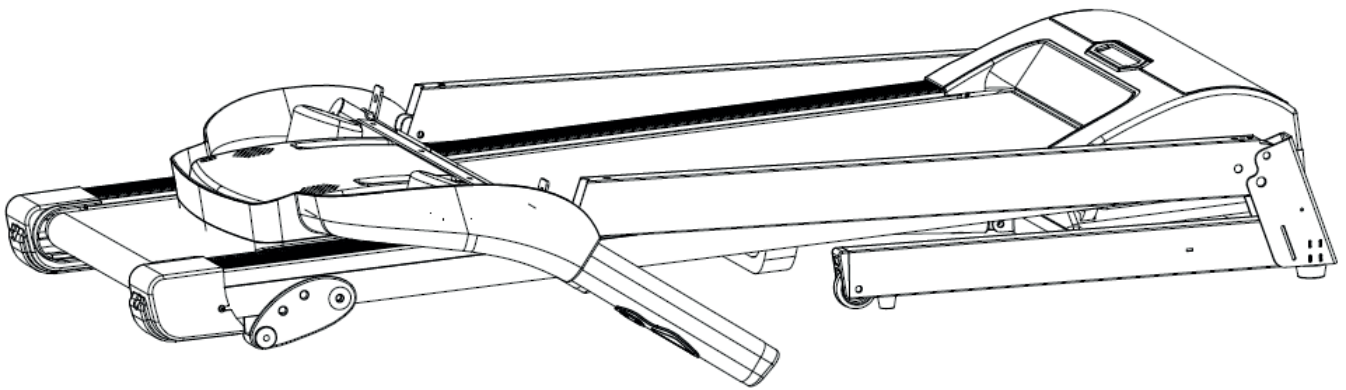
1. Ennen kuin aloitat harjoitusohjelman, ota yhteys lääkäriin tai terveydenhuollon ammattilaiseen. Vammojen välttämiseksi lämmittele ennen liikuntaa. Juoksumatto on tarkoitettu vain aikuisille.
2. Tarkasta, että kaikki pultit on lukittu.
3. Älä koskaan aseta juoksumattoa märkään/kosteaan ympäristöön.
4. Tämän tuotteen käyttöä pidetään välttämättömäksi laitetta on tärkeää huoltaa jatkuvasti.
5. **VAROITUS:** Irrota pistoke pistorasiasta aina ennen puhdistusta tai huoltoa.
6. Älä koskaan aseta juoksumattoa paksun maton päälle, jotta vältät sekä maton että laitteen vahingoittumisen.
7. Varmista, että laitteen ympärille jää vähintään 1 metrin matka lähimpään kiinteään kohteeseen.
8. Älä koskaan anna pienten lasten käyttää tai olla lähellä juoksumattoa.
9. Pidä kädet poissa kaikista liikkuvista osista.
10. Älä käytä laitetta, jos sähköjohto on vaurioitunut.
11. Pidä johto poissa kaikista lämpimistä pinnoista (esim. lämpöpatterit).
12. Tämä juoksumatto on tarkoitettu kotikäyttöön ja sitä ei voi mukauttaa ammattikäyttöön.
13. Älä koskaan irrota sähköjohtoa, kun juoksumatto liikkuu.
14. Suositeltava käyttölämpötila on 5-40 °C.
15. Katkaise virta, kun laitetta ei käytetä. Kun virta katkaistaan, älä vedä virtajohtoa, jotta se pysyy ehjänä.
16. Käyttäjän enimmäispaino: 100 kg.
17. Kytke juoksumaton virtajohto suoraan omaan maadoitettuun virtapiiriin.
18. Aseta juoksumatto puhtaalle, tasaiselle alustalle. Älä aseta juoksumattoa paksulle matolle, koska se voi häiritä asianmukaista ilmastointia. Älä aseta juoksumattoa veteen tai ulos.
19. Älä koskaan käynnistä juoksumattoa, kun seisot juoksumatolla. Kun virta on kytketty ja laitteen nopeus on säädetty, voi olla tauko ennen kuin juoksumatto alkaa liikkua, joten seiso aina rungon sivuilla olevilla kiskoilla, kunnes hihna liikkuu.
20. Käytä sopivaa vaatetusta, kun käytät juoksumattoa. Älä käytä pitkiä, irtonaisia vaatteita, jotka voivat jäädä juoksumattoon kiinni. Käytä aina juoksukenkiä tai muita urheilukengkiä, joissa on kumipohjat.
21. Varmista, että virtalähde on kytketty ja turvalukko on aktiivinen ennen juoksumaton käyttöä. Kiinnitä juoksumaton turvalukon toinen puoli juoksumattoon ja toinen puoli vaatteisiin tai vyöhön, jolloin voit vetää turvalukon irti välittömästi hätätilanteessa.
22. Pidä kaiteista kiinni aina, kun aloitat kävelemisen tai juoksemisen juoksumatolla, kunnes tunnet olosi varmaksi laitteen käytön suhteen.
23. Kiinnitä aina turvaköysi vaatteisiin, kun käytät juoksumattoa. Jos juoksumatto nopeutuu yhtäkkiä laitteen vikaantumisen tai tahattoman nopeuden kiihtymisen takia, juoksumatto pysähtyy äkillisesti, kun vetotappi irrotetaan konsolista.

24. Mikäli käytön aikana ilmenee poikkeavuuksia, poista turvalukko välittömästi, tartu ohjaustankoon ja hyppää laitteen molemmille reunoille ja poistu sitten juoksumatolta sen jälkeen, kun se on pysähtynyt.
25. Kun juoksumattoa ei käytetä, virtajohto tulee irrottaa pistorasiasta ja turvaköysi on poistettava.
26. Jos virtajohto on vaurioitunut, valmistajan, sen huolto liikkeen tai vastaavan pätevän henkilön on vaihdettava se vaaran välttämiseksi.
27. Varmista, että juoksumatto on pysähtynyt ennen laitteen kokoontaittamista. Älä käytä juoksumattoa kokoontaittamisen jälkeen.

Kokoonpano

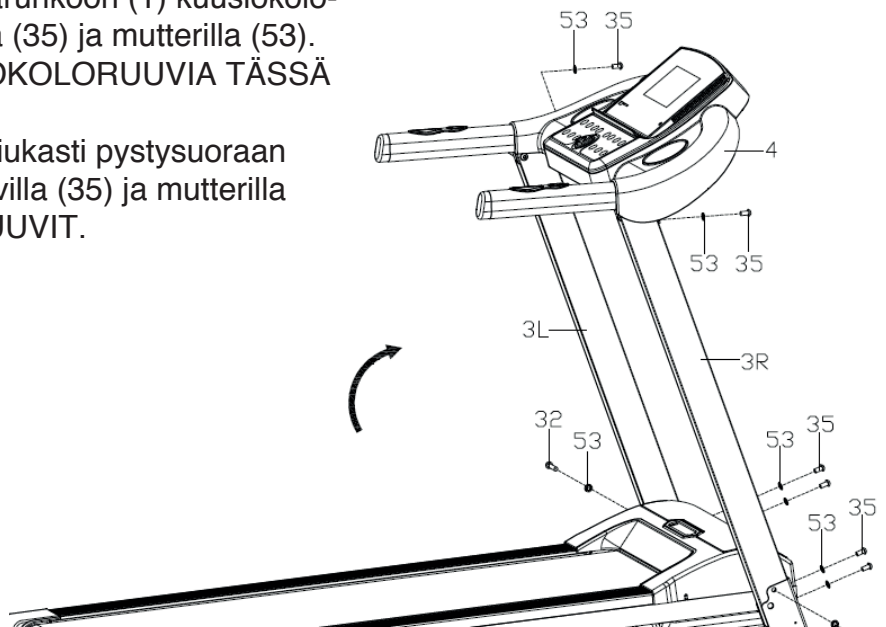
Vaihe 1:

1. Avaa pakkaus, poista kaikki osat ja aseta laitteen runko tasaiselle alustalle. (ÄLÄ LEIKKAA PAKKAUKSEN HIHNOJA VIELÄ TÄSSÄ VAIHEESSA)



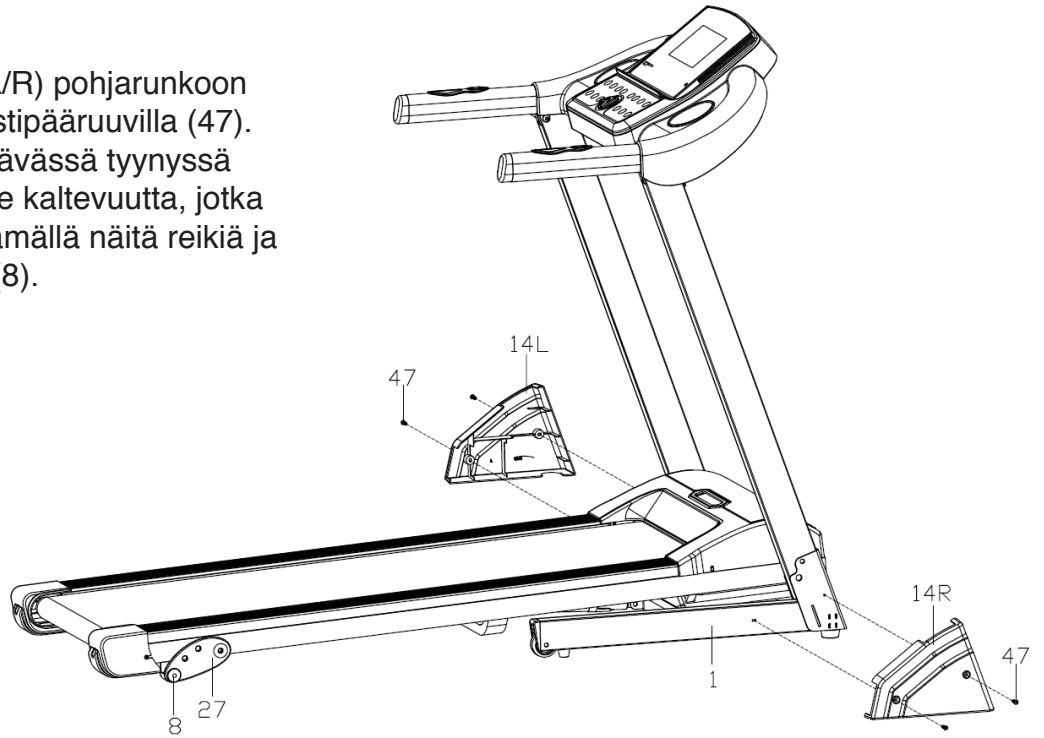
Vaihe 2:

1. Leikkaa hihnat, kun laitteen päärunko on kunnolla paikallaan (HUOMAUTUS: Älä siirrä sitä enää)
2. Nosta pystysuoraa putkea (3 L/R) ja tietokoneen runkoa (4) ja yhdistä ne nuolen suuntaan kuvan mukaisesti.
3. Lukitse pystyputki (3L/R) pohjarunkoon (1) kuusiokoloruuvilla (32), kuusiokoloruuvilla (35) ja mutterilla (53). ÄLÄ KIRISTÄ KAHTA KUUSIOKOLORUUVIA TÄSSÄ VAIHEESSA.
4. Lukitse tietokoneen runko (4) tiukasti pystysuoraan putkeen (3 L/R) kuusiokoloruuvilla (35) ja mutterilla (53). KIRISTÄ NYT KAIKKI RUUVIT.



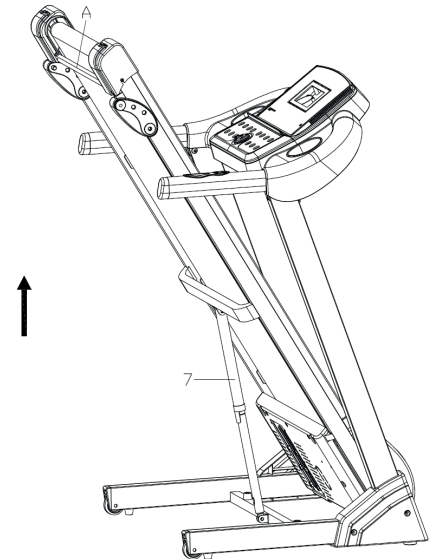
Vaihe 3:

1. Kiinnitä pohjakansi (14L/R) pohjarunkoon (1), joka on kiinnitetty ristipääruuvilla (47). HUOMAUTUS: Säädettävässä tyynyssä (27) on 3 reikää ja kolme kaltevuutta, jotka ovat käytettävissä säätämällä näitä reikiä ja säädettävää pistoketta (8).



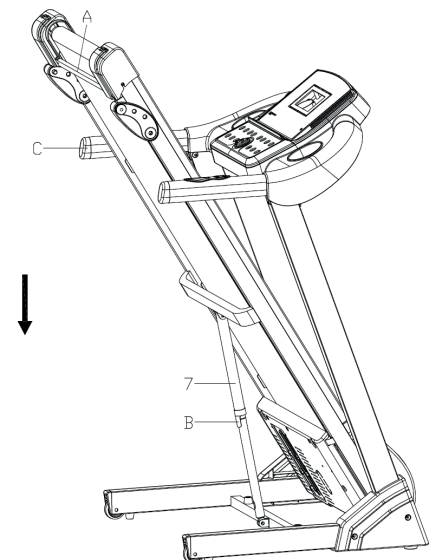
Vaihe 4: (Taita juoksumatto)

1. Aseta kädet kohtaan A, nosta laitetta ja työnnä se nuolen suuntaan ja lopeta, kun kuulet äänen sylinteristä (7). HUOMAUTUS: Irrota virtajohto ja varmista, että juoksumatto on kokonaan pysähtynyt ennen taittamista. Älä käytä sitä juoksumaton taittamisen jälkeen.



Vaihe 5: (Avaa juoksumatto)

1. Tartu kohtaan A kädelläsi, käännä sylinterin (7) paikkaa B oikealla jalallasi, työnnä juoksulevy paikalleen C-tasolle, jolloin juoksulauta aukeaa automaattisesti.



Tekniset tiedot

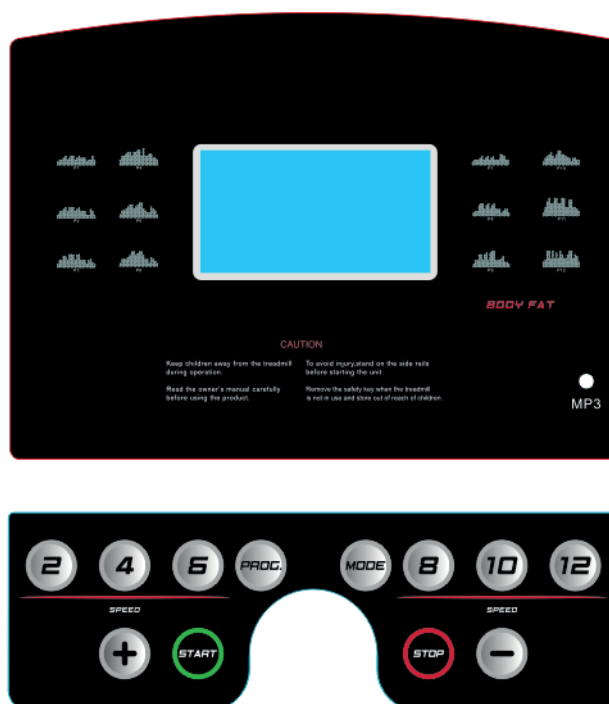
KOKO ASENETTUNA (mm)	1520x752x1180
KOKO TAITETTUNA (mm)	900x740x1325
JUOKSUPINTA-ALA (mm)	430x1200
NETTOPAINO	46 KG
ENIMMÄISPAINO	100 KG
NOPEUS	0,8-12 KM/H
KALLISTUS	MANUAALINEN 3-TASOINEN

FI

Käyttöohjeet

Toimintojen määrittelyt

- Käynnistys:** Normaali käynnistys 3 sekunnin jälkeen.
- Ohjelmien määrä:** Manuaalitulat, 12 Esi-asetettua ohjelmaa, 3 Käyttäjän asennusohjelmaa, 3 HRC, FAT.
- Turvalukitustoiminto:** Turvalukon irrottaminen missä tahansa tilassa voi hidastaa juoksumattoa nopeasti pysähtymiseen asti. “---” näkyy välittömästi ruudussa, merkkiäänä kuuluu jatkuvasti. Painikkeet eivät toimi tässä tilassa. Palauta turvalukko, näyttö näkyy 2 sekunnin ajan ja siirtyy sitten valmiustilaan, odota syöttökomentoja.



Tärkeimmät toiminnot

- START:** Paina “START”, kun juoksumatto on pysäytystilassa, nopeus näkyy ”0.8”, juoksumatto käynnistyy.
- STOP:** Paina “STOP”, kun juoksumatto on käynnissä, tiedot poistetaan ja juoksumatto pysähtyy manuaalisesti.
- PROG:** Paina valmiustilassa näppäintä, jossa voit valita manuaalisen tilan ”0.0” arvoon ”P1-P12”, ”U1-U3”, 3HRC (valinnainen) ja FAT eri ohjelmiin: manuaalinen tila on oletustila, oletusnopeus on 0,8 km/h, maksiminopeus on 12,0 km/h.

- MODE:** Paina valmiustilassa näppäintä, jossa voit asettaa eri lähtölaskenta-asetuksia H-1-H-3. H-1 on ajanlaskentatila, H-2 on etäisyyslaskentatila, H-3 on kalorilaskentatila: kaikki tilaparametrit voidaan asettaa SPEED +/- -näppäimellä ja käynnistää juoksumatto painamalla START-näppäintä.
- SPEED:** "SPEED +" ja "SPEED -" ovat kiihdytys- ja hidastusnäppäimiä, joita voidaan käyttää säätämään parametriasetuksia juoksumaton parametrien asettamisessa. Kun juoksumatto on käynnissä, niitä käytetään nopeuden säätämiseen 0,1 km/kerta; kun näppäintä on pidetty painettuna yli 2 sekunnin ajan, automaattinen jatkuva kiihdytys ja hidastuminen toteutuvat. Nopeudensäätönäppäimet löytyvät käsikaitteesta.

Nopeudensäätö, pikakuvake:

Nopeutta voidaan säätää suoraan 2 km/h, 4 km/h, 6 km/h, 8 km/h ja 10 km/h ja 12 km/h nopeuden pikavalintänäppäimillä, kun juoksumatto on käynnissä.

- HUOMAUTUS:** Kun turvalukko on pois päältä, paina "PROG"- + "MODE"-näppäimiä 5 sekuntia, näyttö vaihtuu brittiläisten mittayksikköjen ja metrisen järjestelmän välillä. Näyttö "12.0" tarkoittaa metristä järjestelmää / Näyttö "7.5" tarkoittaa brittiläistä mittajärjestelmää.

Näyttötoiminnot

Nopeusnäyttö

Näyttää nykyisen juoksunopeuden.

Ajan näyttö

Näyttää juoksuajan manuaalisessa tilassa tai laskevan juoksuajan ohjelmoidussa tilassa.

ASKEL-/ ETÄISYYS- /KALORINäyttö

Vaihda näyttämään etäisyyttä tai laskevaa etäisyyttä, kaloreita tai laskevia kaloreita ja nykyisiä juoksuaskeleita.

- HUOMAUTUS:** Juoksuaskeleiden laskeminen on voimassa, kun nopeus on alle 3,0 km/h tai yli 16 km/h käyttäjän painon ja askelmäärän erojen vuoksi.

Sykemittari

Tunnistaa sydämen sykkeen signaalit ja näyttää sykearvon.

Öljyn merkkivalo:

"Voitelu"-muistutus. Näyttöön ilmestyy merkki , kun voitelu on tarpeen.

Eri parametrien näyttöalue:

AIKA: 0:00 - 99,59 (MIN)

DISTANCE: 0,00 - 99,9 (KM)

KALORIT: 0,0 - 999 (KCAL)

NOPEUS: 0,8 - 12,0 (KM/H)

SYKE: 50 - 200 (BPM)

Sykkeenmittaustoiminto

Kun juoksumatto on kytketty virtalähteeseen, pidä sykkeen testaajaa painettuna 5 sekunnin ajan ja sykearvo näytetään. Alkuarvo on mitattu syke ja sen näyttöalue on 50-200 kertaa/ minuutti. Sykkeenmittaustoiminnon aikana vilkkuu sydämenmuotoinen kuvake. Näytetty syke on vain viitteellinen eikä sitä voida käyttää lääketieteellisenä tietona.

Manuaaliset toimintatilat

Manuaaliseen tilaan siirtyminen:

1. Kytke virtalähde päälle. Siirry sitten suoraan normaalitilaan manuaaltilassa.
2. Pysäytystilassa paina MODE valitaksesi Normaali-, Ajanlaskenta-, Kalorilaskenta- ja Etäisyyslaskentatilat manuaaltilassa.

Asetustoiminnot manuaaltilassa: Aika, Etäisyys ja Kaloriasetus

1. Kun siirryt manuaaliseen tilaan, aika esitetään muodossa 0:00;
2. Manuaaltilassa paina MODE siirtyäksesi Ajanlaskentatilaan; aikaikkuna näyttää ajan ja välkkymisen; alkuaika on 30:00; aseta ajastimen aika SPEED + / SPEED - -painikkeen avulla. Ajan asetusalue: 5:00–99: 00; jokainen lisäys / vähennys on 1:00.
3. Ajanlaskentatilassa paina MODE siirtyäksesi etäisyyslaskentatilaan; alkuetäisyys näytetään muodossa 1,00 km; aseta etäisyys SPEED + / SPEED - -näppäimellä välille 1,0-99,0 km /mi; jokainen lisäys/vähennys on 1 km.
4. Etäisyyslaskennassa paina MODE-painiketta, jos haluat siirtyä kalorilaskentatilaan. Alkuetäisyys näytetään muodossa 50,0 kcal; aseta kalorit SPEED + / SPEED -toiminnolla välille 20,0-990,0 kcal; jokainen lisäys/vähennys on 10,0 kcal.

Juoksumaton käyttö manuaaltilassa

1. Paina START-painiketta ja moottori aloittaa toimintansa 3 sekunnin lähtölaskennan jälkeen. Alkunopeus on 0,8 km/h metrisessä järjestelmässä tai 0,5 MPH brittiläisessä järjestelmässä;
2. Paina SPEED + / SPEED - säätääksesi nopeutta;
3. Paina nopeudensäädön pikanäppäimiä, jotta voit asettaa nopeasti näppäimeen merkityn nopeuden.
4. Kun moottori on käynnissä, paina STOP-painiketta ja moottori hidastuu ja pysähtyy lopulta;
5. Irrota turvalukko moottorin pysäyttämiseksi nopeasti; tällöin LCD-näyttö näyttää "----" ja merkkiääni tuottaa lyhyen Bi-Bi-Bi-äänien.
6. Kun asetettu aika laskee nolnaan tai kun asetettu kaloriluku laskee nolnaan tai asetettu etäisyys laskee nolnaan, nopeus vähitellen pienenee laitteen pysähtymiseen saakka, merkkiääni hälyttää lyhyesti "Bi-Bi-Bi", ja nopeusnäyttö näyttää END; 5 sekuntia myöhemmin laite palaa valmiustilaan ja äänimerkki tuottaa pitkän hälytyksen "Bi-Bi";
7. Ei asetetut parametrit kasvavat ylöspäin ja ne nollataan näyttöalueen ylärajan saavuttamisen jälkeen; manuaalisessa käytössä laite pysähtyy, kun aika on kulunut 99:59 yli (100 min).

Esiensennetut ohjelmat

Jokainen ohjelma on jaettu 20 osaan; käyttöaika jakautuu tasaisesti jokaiselle ohjelman osalle. Alla on taulukko 12-osaisesta juoksuohjelmasta.

program	time	Setup time / 20 = each segment of the running time																			
		1	2	3	4	5	6	7	8	9	10	11	12	13	14	15	16	17	18	19	20
P01	SPEED	2	3	3	4	5	3	4	5	5	3	4	5	4	4	4	2	3	3	5	3
P02	SPEED	2	4	4	5	6	4	6	6	6	4	5	6	4	4	4	2	2	5	4	2
P03	SPEED	2	4	4	6	6	4	7	7	7	4	7	7	4	4	4	2	4	5	3	2
P04	SPEED	3	5	5	6	7	7	5	7	7	8	8	5	9	5	5	6	6	4	4	3
P05	SPEED	2	4	4	5	6	7	7	5	6	7	8	8	5	4	3	3	6	5	4	2
P06	SPEED	2	4	4	4	5	6	8	8	6	7	8	8	6	4	4	2	5	4	3	2
P07	SPEED	2	3	3	3	4	5	3	4	5	3	4	5	3	3	3	6	6	5	3	3
P08	SPEED	2	3	3	6	7	7	4	6	7	4	6	7	4	4	4	2	3	4	4	2
P09	SPEED	2	4	4	7	7	4	7	8	4	8	9	9	4	4	4	5	6	3	3	2
P10	SPEED	2	4	5	6	7	5	4	6	8	8	6	6	5	4	4	2	4	4	3	3
P11	SPEED	2	5	8	10	7	7	10	10	7	7	10	10	5	5	9	9	5	5	4	3
P12	SPEED	3	4	9	9	5	9	5	8	5	9	7	5	5	7	9	9	5	7	6	3

Käyttäjäasetukset:

12 sisäisen järjestelmän ohella juoksumattoon on mahdollisuus asettaa 3 käyttäjän määrittelemää ohjelmaa: U1, U2, U3.

1. Paina jatkuvasti PROG-näppäintä, kunnes haluttu ohjelma (U1/U2/U3) näkyy valmiustilassa. Samalla TIME-näyttö vilkkuu, näyttöön tulee asetusaika, paina "SPEED +", "SPEED -" asettaaksesi halutun juoksuajan, paina MODE-näppäintä ohjelman parametrin viimeistelemiseksi. Valitse ensimmäisen aikajakson parametrin asetus SPEED + / SPEED - -näppäimellä tai pikanäppäimellä nopeuden asettamiseksi; paina MODE-näppäintä, jos haluat lopettaa ensimmäisen ajanjakson asetuksen ja syöttää seuraavan ajanjakson asetuksen, kunnes kaikki 20 ajanjaksoa on asetettu. Parametri säilyy pysyvästi, kunnes se nollataan eikä kaikkia parametreja menetetä, kun virta katkeaa.
2. Käyttäjän määrittämän ohjelman valinta ja käyttäminen:
3. Paina valmiustilassa jatkuvasti PROG-näppäintä, kunnes haluttu käyttäjän määrittämä ohjelma U1/U2/U3 ilmestyy näyttöön. Määritä juoksuaika, paina START-näppäintä käynnistääksesi juoksumaton.

Kehon painoindeksitesti:


1. Paina valmiustilassa "PROG" siirtyäksesi FAT (Fyysinen kuntotesti) -ohjelmaan. Paina "MODE" siirtyäksesi kohtiin F-1, F-2, F-3, F-4, F-5 (F-1: sukupuoli, F-2: ikä, F-3: pituus, F-4 : paino, F-5: fyysinen testi), paina "SPEED + / SPEED -" asettaaksesi parametrin 01-04 (ks. yksityiskohtainen taulukko), paina sitten "MODE" siirtyäksesi F-5-ohjelmaan (fyysiseen testiin). Pidä tässä tilassa sykekahvaa 5-6 sekunnin ajan ja se näyttää FAT-arvon, tarkasta, soveltuuko paino sinun pituudellesi.
2. FAT-testin tarkoituksena on mitat pituuden ja painon välistä yhteensopivuutta, ei kehon mittasuhteita. FAT sopii kaikille miehille ja naisille; se tarjoaa tärkeän perustan painon mukauttamiseen muiden terveyttä ilmaisevien tekijöiden kanssa. Täydellinen FAT on välillä 20-24, mikä tarkoittaa, että arvo, joka on alle 19, ilmaisee laihuutta ja arvo 25-29 merkitsee ylipainoisuutta ja yli 30:n arvo lihavuutta.

HRC-toiminto (valinnainen)

HRC1-nopeusraja (Max-4,0 km/h), HRC2-nopeusraja (max-2,0 km/h), HRC3 Max.

1. HRC-asetus, kun painat toistuvasti P-painiketta päästäksesi HRC-toimintoon, paina M siirtyäksesi seuraavaan asetukseen, säädä nopeutta tai kaltevuutta vastaavasti
 - Ikäasetus: 13-80, oletusarvo 30.
 - Tavoitesyke: $(220 \text{ minus ikä}) * 0,6$.
 - Tavoitesyke on vaihdettavissa 0,45-0,75 (220 miinus-ikä).
 - Maksimisyke: (220 miinus ikä).
2. Nopeuden muutos:
 - Vaihda jakso, HRC havaitsee sykkeen 30 sekunnin välein.
 - Jos käyttäjän syke on alhaisempi kuin tavoitesyke 30 kertaa / min, nopeus kasvaa 2 km/h.
 - Jos tällainen ero on 1-29 kertaa/min, nopeus kasvaa 1 km/h.
 - Päinvastoin, jos käyttäjän syke on korkeampi kuin tavoitesyke, nopeus pienenee ja sama sääntö pätee.
3. Seuraavissa olosuhteissa juoksumatto toimii nopeudella 1 km/h 15 sekunnin ajan ja pysähtyy sitten automaattisesti; 15 sekunnin ajan juoksumatto piippaa jokaisen sekunnin kohdalla
 - A: Sykettä ei havaita yli minuutin ajan
 - B: Syke ylittää $(220 - \text{ikä})$

Muut

1. Kun laskentaparametri sammuu, näyttöön ilmestyy ”END”, hälytysääni soi 0,5 sekuntia joka toinen sekunti, kunnes juoksumatto pysähtyy ja palaa sitten manuaaliseen tilaan.
2. Parametreja asetettaessa voi olla silmukka-asetus, esimerkiksi aikaväli on 5:00--99:00. Kun asetetus on 99:00, paina ”+” -näppäintä, aika palaa 5:00 ja alkaa kiertää uudelleen, lisää tai vähennä symbolilla ”-”.
3. Ajanlaskenta, kalorien aleneva laskenta ja etäisyyden aleneva laskenta voidaan asettaa vain yhdelle niistä. Viimeinen asetetus otetaan käyttöön. Parametrisarja lasketaan alenevasti, kun taas muut parametrit lasketaan eteenpäin.
4. Normaali kalorinkulutus on noin 70,3 kcal/km.
5. Kiihtyvyyden on 0,5 km/s ja hidastus 0,5 km /s.
6. MP3-musiikin äänen vahvistaminen, sisäänmeno sivulla olevasta reiästä.
7. Toiminnossa parametri on kumulatiivinen, näyttö on selvä, kun se on max. manuaalisessa tilassa, kun ajan kertymä ylittää 99:59 (100 min) juoksumatto pysähtyy.
8. ”Voitelu”-muistutus: Jokaisen 300 kilometrin jälkeen näkyy  -kuvake. Kun olet valmius tilassa, poista suojausnäppäin ja pidä sitten STOP-näppäintä painettuna samanaikaisesti, kunnes äänimerkki kuuluu, mikä peruuttaa tämän muistutuksen. 300 km myöhemmin sama toistuu.

Virheilmoituskoodien merkitykset

Ongelma	Mahdolliset syyt	Ongelman ratkaisu
-----	Turvalukko ei toimi	<ol style="list-style-type: none">1. Aseta turvalukko takaisin paikalleen;2. Vaihda turvalukituskytkin tai magneettinen anturi elektronisessa mittarissa; jos ongelma ei vielä ratkea, vaihda elektroninen mittari;
E01	Kun virta on kytketty, elektroninen mittari näyttää E01	<ol style="list-style-type: none">1. Tarkasta, onko elektronisen mittarin ja ohjaimen pääjohdon välinen liitospääte irronnut; ovatko johdot vaurioituneet; onko pääjohdot kiinnitetty oikean järjestykseen.2. Ohjain voi olla viallinen. Tarkasta ja korjaa.3. Elektronisen ohjaimen IC ei ehkä ole kytketty oikeaan paikkaan. Tarkasta ja varmista, että liitos on kunnollinen.4. Muuntaja voi olla vaurioitunut. Tarkasta ja korjaa.
E02	Räjähdyksen kestävä suojan tai moottorin poikkeavuus	<ol style="list-style-type: none">1. Tarkasta, onko virtalähteen jännite alle 50 % normaaliarvosta; varmista, että jännite on oikea ja kokeile uudelleen;2. Tarkasta, ovatko moottorin johdot kunnolla kiinni; kytke moottorikapeli uudelleen, tai jos ongelma ei ratkea, vaihda moottori;3. Tarkasta, tuottaako ohjain hajua; jos kyllä, se tarkoittaa, että IGBT on rikki ja aiheuttaa oikosulun; vaihda sitten ohjain.
E03	Ei sensorisignaalia	<ol style="list-style-type: none">1. Tarkista, ohjautuuko valosensori suoraan CD:n reikään; tarkista, ovatko valosähköisen anturin johdot vaurioituneet ja onko valosensorianturin ja nopeuspäätteiden liittimet kytketty tiukasti.
E05	Vikavirtasuojan	<ol style="list-style-type: none">1. Kyseessä voi olla järjestelmän oma suojaus liialliseen virtaan vastaan, kun kuorma ylittää nimellisarvon. Käynnistä laite uudelleen;2. Osa juoksumatosta on juuttunut niin, että moottori ei voi pyöriä, jolloin järjestelmä itsestään suojautuu liialliselta virralta liiallisessa kuormituksessa; säädä juoksumatto ja käynnistä se uudelleen tai lisää voiteluainetta.3. Tarkasta, onko moottorissa käynnissä liialliseen virtaan ilmaiseva ääni tai tuleeko siitä palava hajua; vaihda moottori;4. Tarkasta, tuleeko ohjaimesta palavaa hajua; jos kyllä, vaihda ohjain.
Sähköinen mittari ei näytä mitään	Ohjainta ei ole kytketty päälle tai se on vaurioitunut	<ol style="list-style-type: none">1. Tarkasta ensin, onko ylikuormitussuoja lauennut; jos kyllä, paina sitä;2. Tarkasta virtalähteen kytkin, ylikuormitussuoja ja säätimen virtajohto ja muuntaja, jotta varmistetaan kunnollinen liitäntä;3. Tarkasta, onko sähkömittarista ohjaimen tulevat virtajohto hyvin paikoillaan; Irrota pilari, jotta voit tarkastaa liitokset kummankin johdon osasta elektronisesta mittarista ohjaimen; on varmistettava, että kukin vaijerin ydin on hyvin kytketty; syy voi olla myös tiedonsiirtojohdon vika (vaurioitunut tai rikkoutunut); tällöin kytke tai vaihda johdot uudelleen.4. Muuntaja on vaurioitunut; vaihda muuntaja

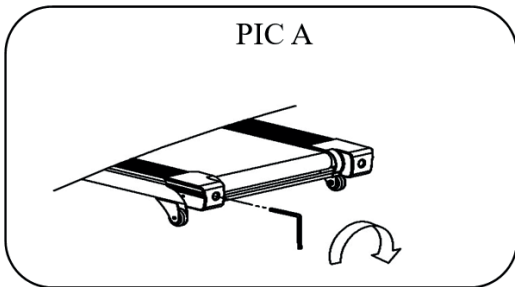
Huolto-ohjeet

Juoksumaton keskitys ja kireyden säätö

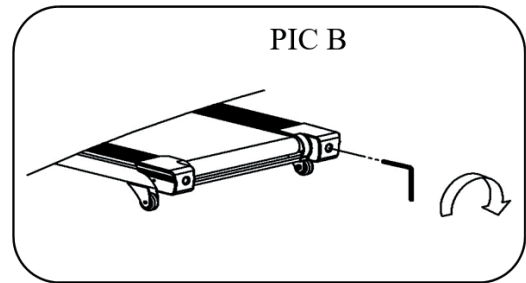
HUOMAUTUS: ÄLÄ KOSKAAN ylikiristä juoksumattoa. Tämä voi heikentää moottorin suorituskykyä ja aiheuttaa liiallista rullan kulumista.

FI

1. Aseta juoksumatto tasaiselle alustalle
2. Käytä juoksumattoa nopeudella noin 3,5 mph
3. Jos matto irtoaa radan oikealle puolelle, kierrä oikeaa säätöpulttia myötäpäivään hitaasti, jolloin huomataan poikkeavan etäisyyden muutos, kunnes matto on keskellä. (Huomio: maton ja oikean/vasemman reunan välissä on normaalisti tilaa. Oikean ja vasemman reunan välinen aukko matosta ei saa olla yli 5 mm.)
4. Jos matto irtoaa radan vasemmalle puolelle, kierrä vasenta säätöpulttia myötäpäivään, jolloin huomataan poikkeavan etäisyyden muutos, kunnes matto on keskellä. (Huomio: maton ja oikean/vasemman reunan välissä on normaalisti tilaa. Oikean ja vasemman reunan välinen aukko matosta ei saa olla yli 5 mm.)



Kuva A: Jos matto on siirtynyt VASEMMALLE



Kuva B: Jos matto on kulkenut OIKEALLE

VAROITUS: Irrota juoksumatto aina virtalähteestä aina ennen laitteen puhdistamista tai huoltoa.

Puhdistus

- Yleinen puhdistus pidentää laitteen käyttöikää. Pidä juoksumatto puhtaana pyyhkimällä sitä säännöllisesti. Muista puhdistaa kannen juoksuvyöhyke ja sivu kiskojen molemmilta puolilta. Tämä vähentää vieraan materiaalin muodostumista juoksuhihnan alle.
- Maton päällysosa voidaan puhdistaa märällä, saippuoidulla liinalla. Pidä neste poissa moottoroidun juoksumaton rungon sisäpuolelta tai maton alla. Varoitus: Irrota juoksumatto aina pistorasiasta ennen moottorin kannen irrottamista. Poista moottorin kansi ja tyhjiö moottorin kannen alla vähintään kerran vuodessa.

Juoksumaton ja kannen voitelu

Tämä juoksumatto on varustettu ennalta voidellulla, vähän huoltoa vaativalla järjestelmällä. Hihnan/kannen kitka voi vaikuttaa merkittävästi juoksumaton toimintaan ja sen käyttöön ja laite vaatii sen vuoksi säännöllistä voitelua. Suosittelemme kannen säännöllistä tarkastusta.

Satunnainen käyttäjä (alle 3 tuntia viikossa):

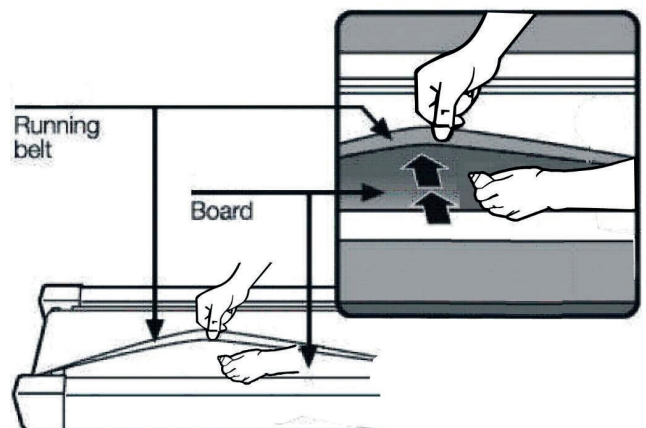
Vuosittain

Keskiaktiivinen käyttäjä (3-5 tuntia viikossa):

Joka kuudes kuukausi

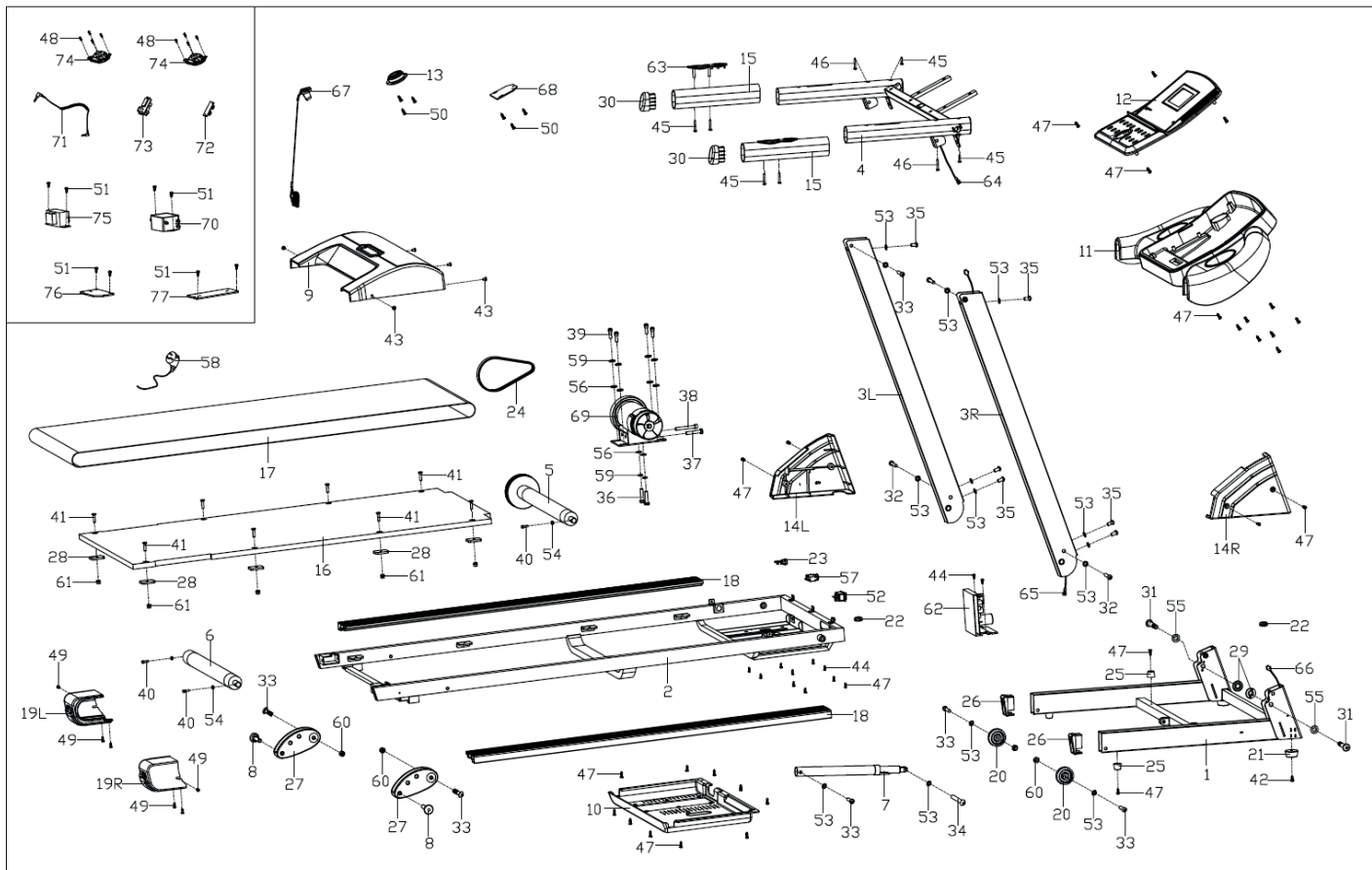
Aktiivinen käyttäjä (yli 5 tuntia viikossa):

Kolmen kuukauden välein



Osaluettelo

Osa Nro.	Kuvaus	Määrä	Osa Nro.	Kuvaus	Määrä
1	Alakehys	1	40	Kuusiokoloruuvi M6x55	3
2	Pääkehys	1	41	Kuusiokoloruuvi M6x30	8
3L/R	Pystyputki	1pr.	42	Ristipääruuvi M6x15	2
4	Tietokoneen kehys	1	43	Ristipääruuvi M5x8	5
5	Eturulla	1	44	Ristipääruuvi M4x8	8
6	Takarulla	1	45	Runkopääruuvi ST4x40	6
7	Ilmasylinteri	1	46	Runkopääruuvi ST4x20	2
8	Säädettävä pistoke	2	47	Runkopääruuvi ST4x16	34
9	Moottorin yläkansi	1	48	Runkopääruuvi ST4x8	8
10	Pohjamoottorin kansi	1	49	Ristipes ruuvi ST4x12	6
11	Tietokoneen yläkansi	1	50	Runkopääruuvi ST2.9x9.5	6
12	Konsolipaneeli	1	51	Ristipääruuvi M4x8	8
13	Turva-avaimen runko	1	52	Kytkin	1
14L/R	Pohjakansi	1pr	53	Mutteri \varnothing 8x1.2	14
15	Vaahtopinta	2	54	Mutteri \varnothing 6x1.2	3
16	Juoksulauta	1	55	Tasainen aluslaatta \varnothing 12x1.0	2
17	Juoksumatto	1	56	Tasainen aluslaatta x8x1.5	6
18	Sivuraide	2	57	Katkaisija	1
19L/R	Päätykorkki	1pr	58	Virtajohto	1
20	Kuljetinrulla	2	59	Vakio jousialuslevy \varnothing 8	6
21	Litteä tyyny	2	60	Nailonmutteri M8	4
22	Rengaspää	2	61	Nailonmutteri M6	8
23	Virtalangan solki	1	62	Alempi ohjaus	1
24	Vyö	1	63	Pikanäppäin	2
25	Pieni jalkatyyny	4	64	Tietokoneen yläkehys	1
26	Pienet kuljetusrullat	2	65	Tietokoneen liitäntäkaapeli	1
27	Säädettävä tyyny	2	66	Tietokoneen pohjakaapeli	1
28	Kumityyny	8	67	Turva-avain	1
29	Muovinen kiinnityslevy	2	68	Takavaloyksikkö	1
30	Litistetty sisäpistoke	2	69	DC-moottori	1
31	Pultti	2	70	Suodatin (valinnainen)	1
32	Kuusiokoloruuvi M8x45	2	71	Audioliitäntä (valinnainen)	1
33	Kuusiokoloruuvi M8x40	7	72	MP3 (valinnainen)	1
34	Kuusiokoloruuvi M8x25	1	73	Vahvistuslevy (valinnainen)	1
35	Kuusiokoloruuvi M8x15	6	74	Kaiutin (valinnainen)	2
36	Kuusiokolopultti M8x35	2	75	Indukti (valinnainen)	1
37	Kuusiokoloruuvi M8*45	1	76	Suodatin, kytkentälevy (valinnainen)	1
38	Kuusiokoloruuvi M8x60		77	Suodattimen, kytkentälevy (valinnainen)	1
39	Kuusiokoloruuvi M8x18	4			



Takuu

Champion Nordic takaa, että tässä tuotteessa ei ole materiaaliin tai käsityöhön liittyviä valmistusvikoja. Takuu on voimassa 2 vuotta Ruotsissa, Norjassa, Tanskassa ja Suomessa. Takuu alkaa siitä hetkestä, kun tuote joko ostetaan tai toimitetaan. Champion Nordicilla ei ole velvollisuutta korjata tai korvata tuotetta, johon ei ole voimassa olevaa ostotodistusta. Tämä takuu on voimassa ainoastaan tuotteissa, jotka ostetaan kotikäyttöön ja joita käytetään kotona. Takuu ei kata vaurioita, jotka johtuvat tuotteen väärinkäytöstä, Champion Nordicin käyttöohjeiden noudattamatta jättämisestä, siitä että tuotetta on käsitelty tai korjattu ei-hyväksyttävällä tavalla, tuotteen omistajan virheellisistä pakkaustoimista tuotetta käsiteltäessä, normaalista kulumisesta tai kuljetusyrityksen suorittamista vääränlaisista käsittelytavoista.

Oikea hävittäminen

Tämä symboli tuotteessa tai ohjeissa tarkoittaa, että laite täytyy hävittää erillään muista talousjätteistä, kun se ei enää toimi. EU:n sisällä on jätteille erillisiä kierrätysjärjestelmiä. Lisätietojen saamiseksi ota yhteyttä paikallisiin viranomaisiin tai jälleenmyyjäsi.



FRONTIER

Frontier ©
Makadamgatan 14 | 254 64 Helsingborg | Sweden
info@order.se

