



# LogiLink®

## 2-Stage Manual Sit-Stand Desk Frame

Art. No.: EO0048



## Create An Ergonomic Sit-stand Workstation

The LogiLink sit-stand desk frame is ideal for office, school and home. Foldable crank handle offers smooth and easy manual adjustable experience!

## Width Adjustable

Accommodates various desktop shapes and sizes.  
The suggested tabletop size is 100–160 x 60–75 cm.



## Manual Height Adjustment

Adjust the desk height manually with crank handle, from 70 to 118 cm.



## Leveling Feets

Adapt to most uneven floor or surface.



## Foldable Handle

To prevent interference between you and the desk.



## Easy Assembling

Designed to reduce set-up time while providing long-term stability for confident daily use.



## Specification:

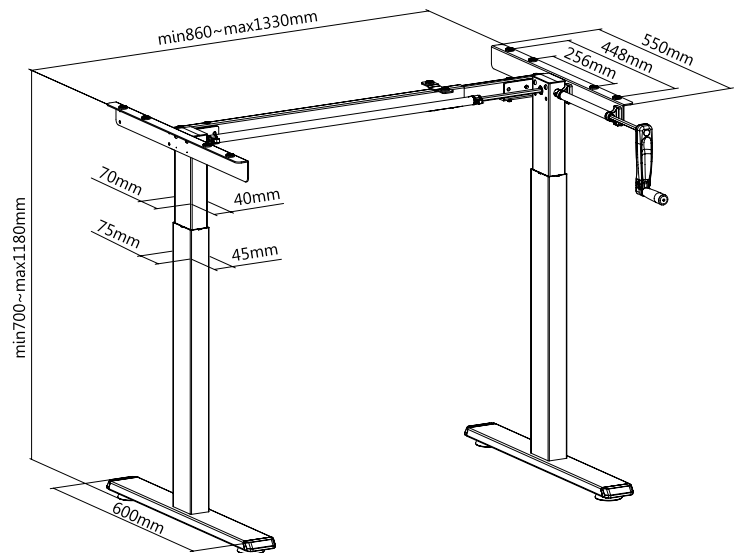
Material	Steel, aluminum, plastic
Dimensions	860–1330 x 600 x 700–1180 mm
Tabletop Size	1000–1600 x 600–750 mm
Tabletop Thickness	≥18 mm
Weight Capacity	60 kg
Column Segments	Two stage column
Column Size	75 x 45 mm, 70 x 40 mm
Leg Quantity	Two legs
Frame Orientation	Rectangular
Frame Color	Black
Controller Type	Crank Handle
Max. Speed	16 mm/turn
Suggested Operating Temperature	-5–40°C
Adjustable Feet Pad	Yes

## Package Contents:

- » 1 x Desk Frame
- » 1 x Screw Pack
- » 1 x User Manual

## Package Information:

- » Packing Dimension: 785 x 257 x 150 mm
- » Packing Weight: 17.65 kg
- » Carton Dimension: 785 x 257 x 150 mm
- » Carton Q'ty: 1 pc
- » Carton Weight: 17.65 kg



\*The specifications and pictures are subject to change without prior notice.  
\*All trade names referenced are the registered trademarks of their respective owners.



EO0048



4 052792 070965

Made in China