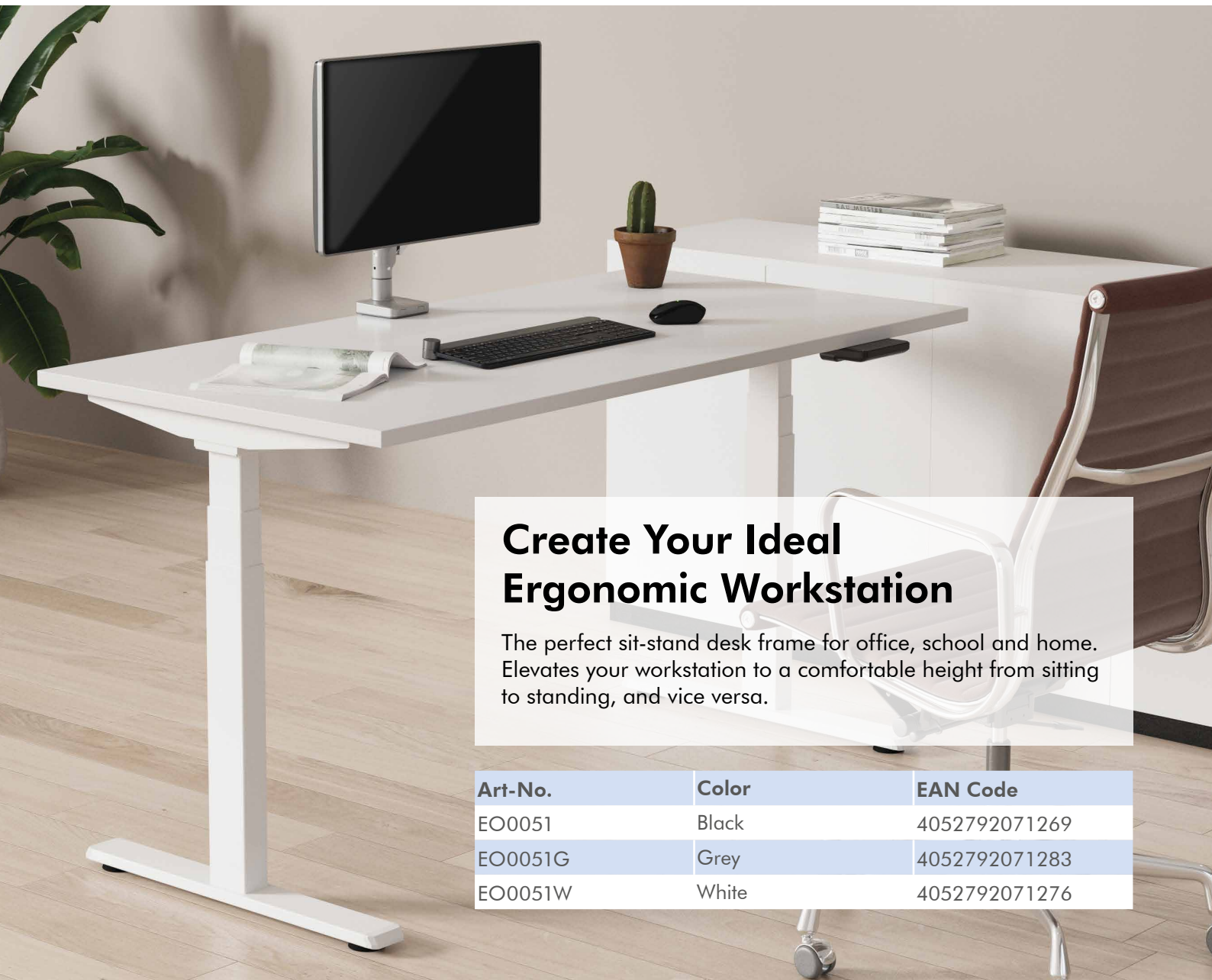




LogiLink®

Electric 3-Stage Dual Motor Sit-Stand Desk Frame

Art. No.: EO0051
EO0051G
EO0051W



Create Your Ideal Ergonomic Workstation

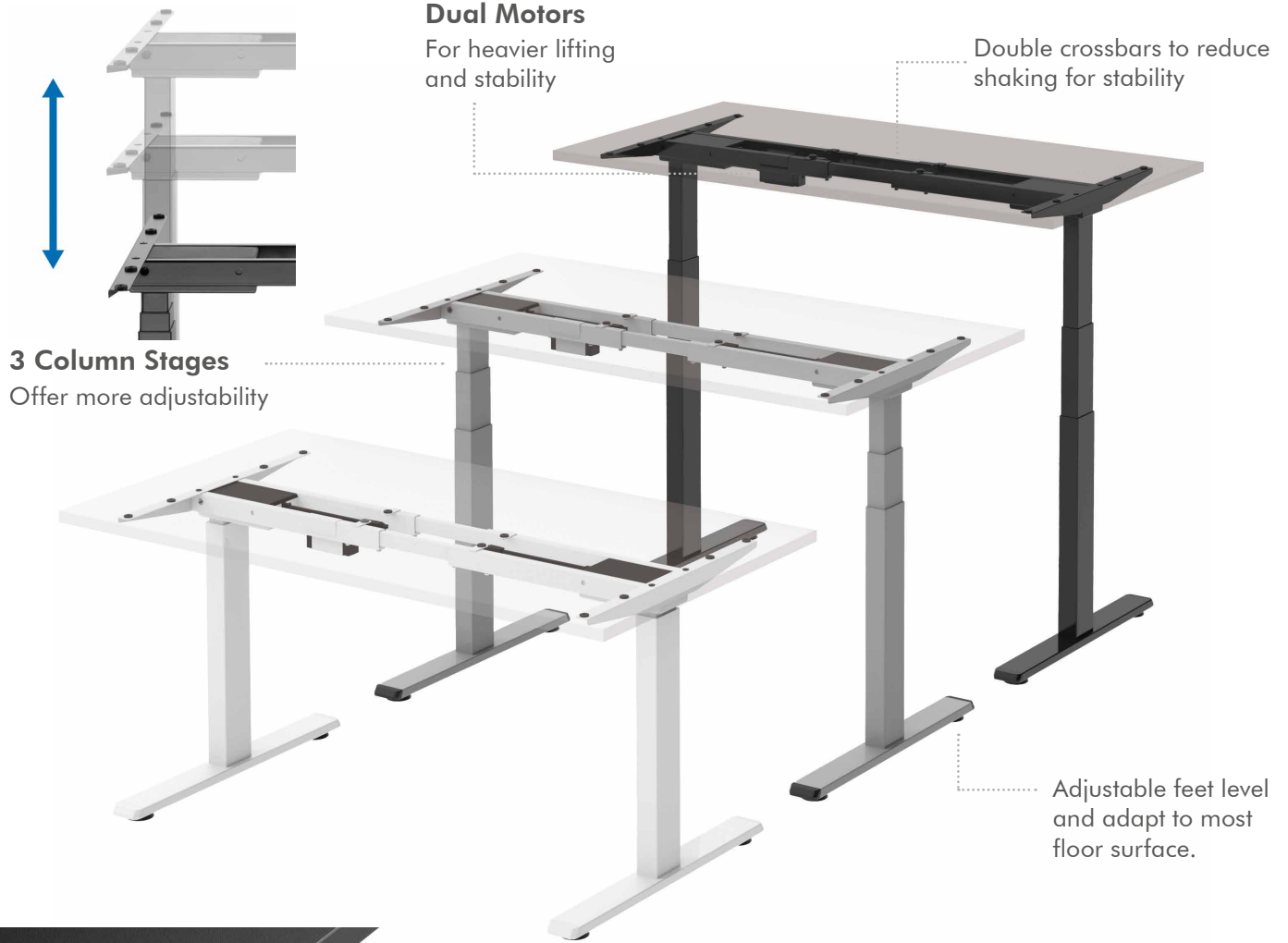
The perfect sit-stand desk frame for office, school and home. Elevates your workstation to a comfortable height from sitting to standing, and vice versa.

Art-No.	Color	EAN Code
EO0051	Black	4052792071269
EO0051G	Grey	4052792071283
EO0051W	White	4052792071276



*The specifications and pictures are subject to change without prior notice.
*All trade names referenced are the registered trademarks of their respective owners.

Made in China

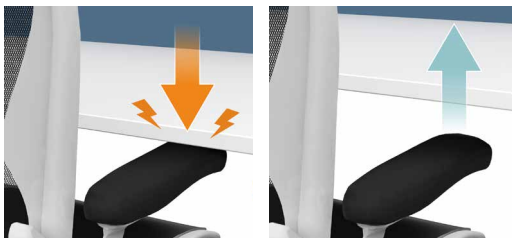


Digital LED Memory Controller

Easily adjust the height with 3 programmable height presets in minimum noise level.

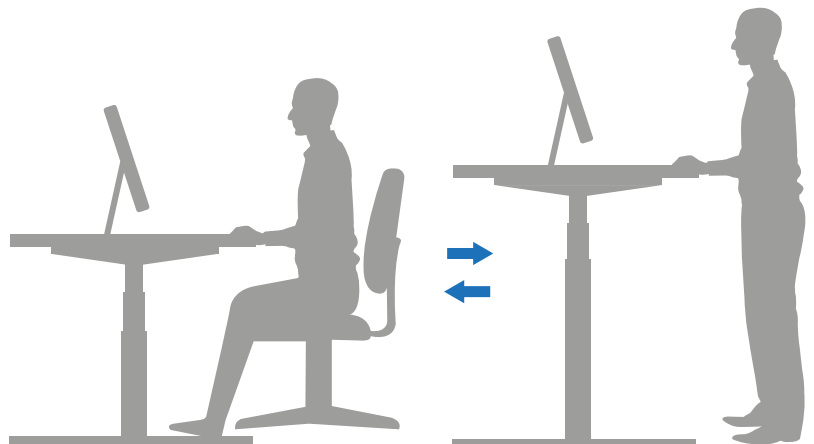
Sit/Stand Time Reminder

Switch between sitting and standing with time reminder function.



Safety Collision Avoidance System

If the desk hits an object, it will move in the opposite direction upward (downward) for about 3 cm.



*The specifications and pictures are subject to change without prior notice.
*All trade names referenced are the registered trademarks of their respective owners.



Specification:

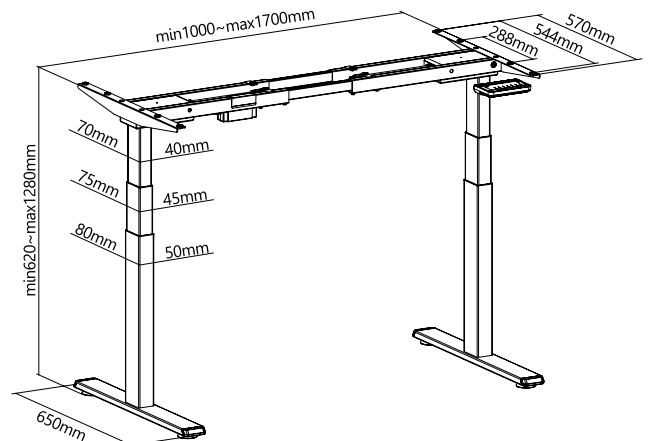
Product Type	Electric Sit-Stand Desk Frame
Motor Quantity	2
Material	Steel, aluminum, plastic
Column Segments	3 stage columns
Width Range	1000–1700 mm
Height Range	620–1280 mm
Dimensions	1000–1700 x 650 x 620–1280 mm
Frame Orientation	Rectangular
Suggest Tabletop Size	1100–2200 x 700–900 mm
Tabletop Thickness	≥18 mm
Weight Capacity	100 kg
Leg Quantity	2 legs
Adjustable Feet Pad	Yes
Power Input	230 V
Power Cable Length	3 m
Max. Speed	38 mm/s
Controller Type	Button Control Panel
Time Reminder	Yes
Operating Temperature	-5–40°C
Protection	IP20

Package Contents:

- » 1x Dual Motor Sit-Stand Desk Frame
- » 1x Digital Controller
- » 1x Screw Package
- » 1x User Manual

Package Information:

- » Packing Dimension: 1140 x 310 x 135 mm
- » Packing Weight: 25.5 kg
- » Carton Dimension: 11140 x 310 x 135 mm
- » Carton Q'ty: 1 pc
- » Carton Weight: 25.5 kg



*The specifications and pictures are subject to change without prior notice.
 *All trade names referenced are the registered trademarks of their respective owners.

Made in China