



## 3-in-1 Resistance, Continuity and Port Mapping Network Cable Tester

Art. No.: WZ0076

### Technical Features

Easy tester for Cat.5e, Cat.6, Cat.6A, Cat.8 UTP/STP cables

Quickly to diagnose shorts, open circuits, miswiring and resistance for cables

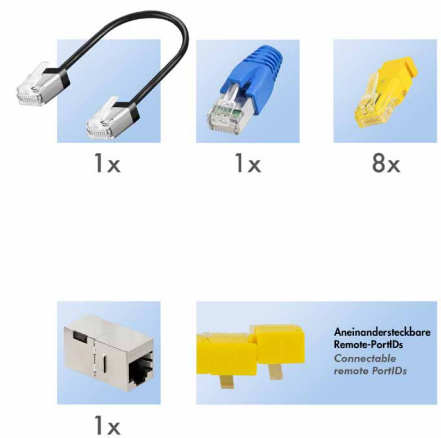
Easy to look for the remote ports

Resistance measurement checks power transmission capability for PoE application

Low battery consumption

0.5 s fast detection cycle

Dimensions: 2.5 x 2.7 x 11.1 cm



WZ0076



4 052792 071023

Made in Taiwan

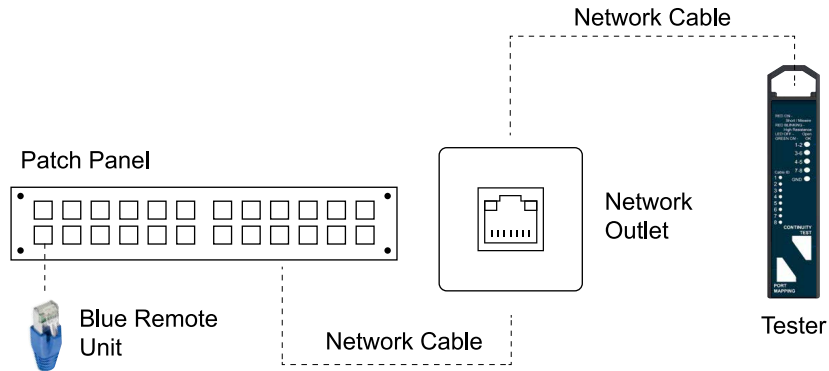
www.2direct.de



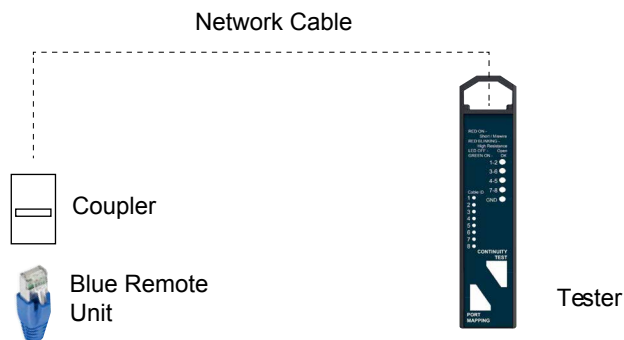
\*The specifications and pictures are subject to change without prior notice.  
\*All trade names referenced are the registered trademarks of their respective owners.

## Functions

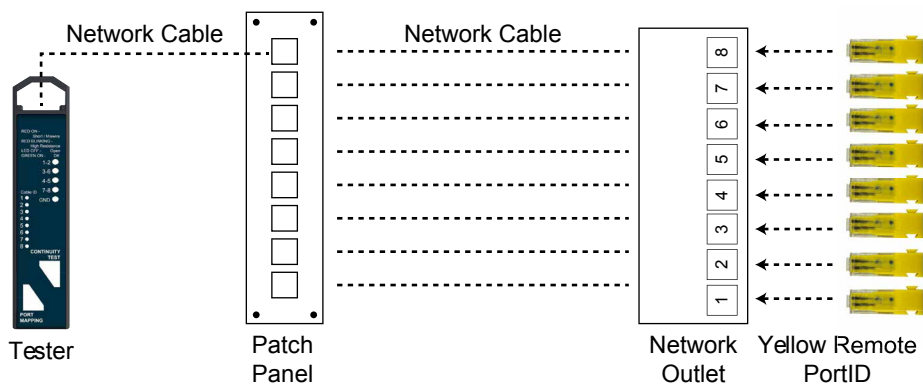
1. Pair to pair (includes grounding) continuity test



2. Detecting unusual high-resistance



3. Port mapping up to 8 ports



WZ0076



4 052792 071023

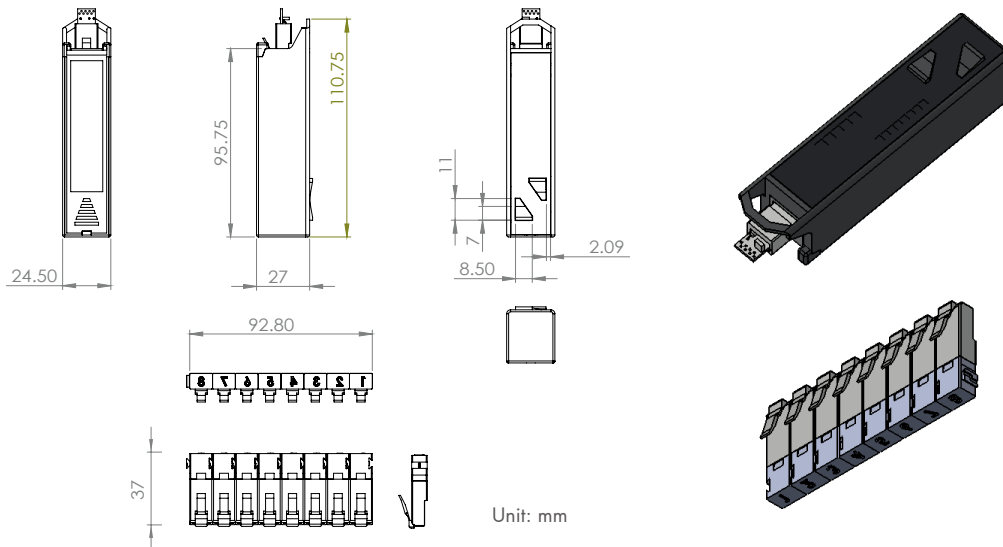
Made in Taiwan

www.2direct.de



\*The specifications and pictures are subject to change without prior notice.  
\*All trade names referenced are the registered trademarks of their respective owners.

## Technical Drawings



## Package Contents

- 1x Main Tester
- 8x Yellow Remote PortID
- 1x Blue Remote Plug Unit
- 1x Shielded Patch Cord
- 1x Shielded Coupler
- 1x Carrying Bag
- 1x User Manual

## Packaging Information

Packing Dimension	mm
Packing Weight	kg
Carton Dimension	mm
Carton Q'ty	pcs
Carton Weight	kg

WZ0076



4 052792 071023

Made in Taiwan

[www.2direct.de](http://www.2direct.de)



\*The specifications and pictures are subject to change without prior notice.  
\*All trade names referenced are the registered trademarks of their respective owners.