



19" Fan Unit with 2 Fans or 4 Fans

Technical Features

Material: 1.5mm steel

Air flow: 49.8 CFM

Operating voltage: 187-231/50 VAC/Hz

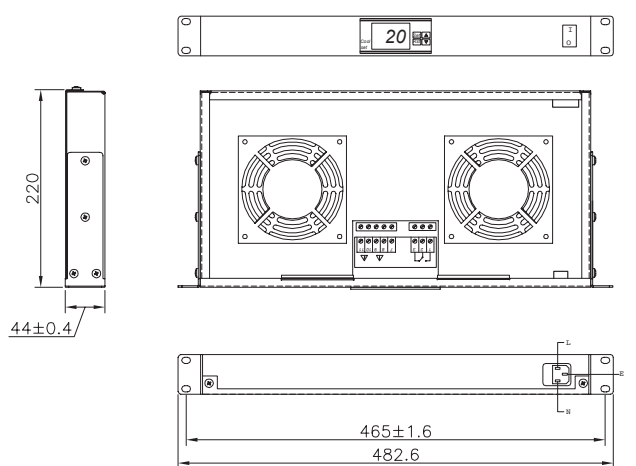
Fan speed: 1600 RPM +/- 25%

Noise level: 25 dBA at 1600 RPM

Part-No. Black = B Grey = G	Height U	Width (W) mm	Weight kg	Number of Fans	EAN Code
FAU02FB	1U	483	3.5	2	4052792026788
FAU02FG	1U	483	3.5	2	4052792026771
FAU04FB	1U	483	5.2	4	4052792026801
FAU04FG	1U	483	5.2	4	4052792026795

Technical Drawings

FAU02FB/FAU02FG



www.logilink.com



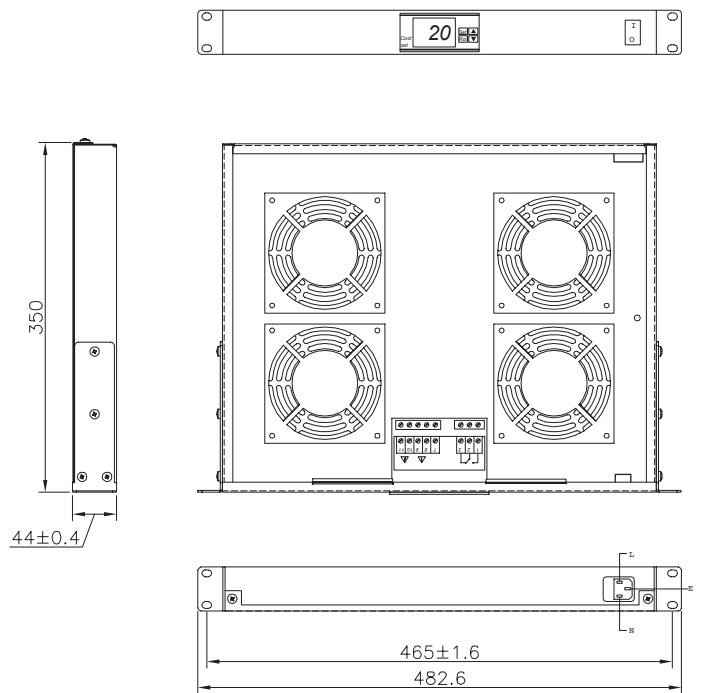
RoHS
compliant



Made in China

* The specifications and pictures are subject to change without notice.
*All trade names referenced are the registered trademark of their respective owners.

FAU04FB/FAU04FG



Package Contents

1 x 19" Fan unit

Packaging Informations

Packing Dimension	505 x 230 x 55mm (FAU02Fx) / 505 x 360 x 55mm (FAU04Fx)
Packing Weight	3.5kg (FAU02Fx) / 5.2kg (FAU04Fx)
Carton Dimension	505 x 230 x 55mm (FAU02Fx) / 505 x 360 x 55mm (FAU04Fx)
Carton Q'ty	1pc
Carton Weight	3.5kg (FAU02Fx) / 5.2kg (FAU04Fx)



Made in China

www.logilink.com



RoHS
compliant



* The specifications and pictures are subject to change without notice.
*All trade names referenced are the registered trademark of their respective owners.