

# LogiLink®

## Aluminum Headphone Stand

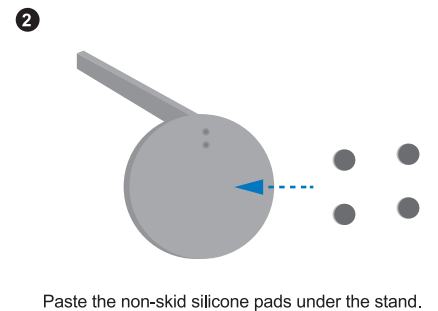
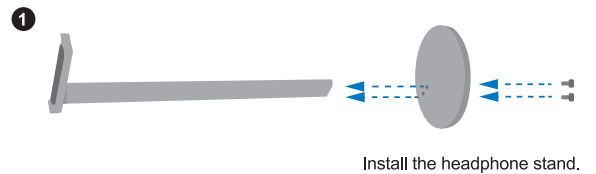
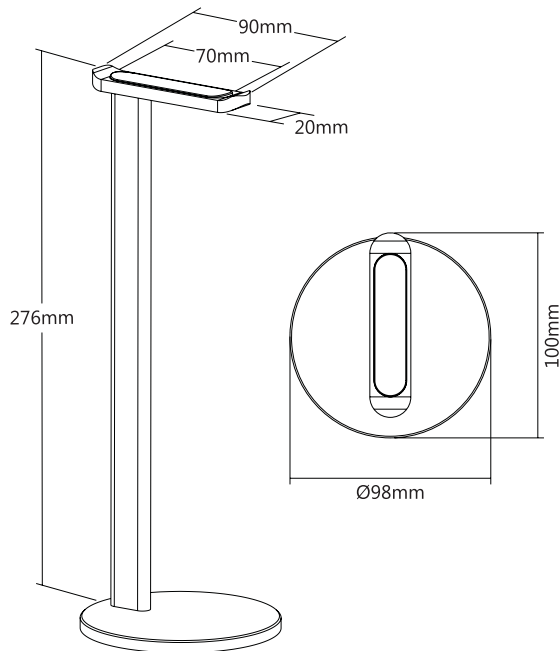
Art. No.: AA0105



Stylish design and organizes the available work area in a cramped workstation.

### Features:

- » Simple look blends into most interior designs
- » Silicone pad on the top prevents headphone from slipping off
- » Non-skid silicone pad under the base keeps the stand stable
- » Dimension: 98 x 100 x 276mm
- » Weight: 235g



AA0105



4 052792 046144

Made in China



RoHS  
compliant

\* The specifications and pictures are subject to change without notice.

\*All trade names referenced are the registered namework of their respective owners.

Best Connectivity

# LogiLink®

## Aluminum Headphone Stand

Art. No.: AA0105



**EASY**  
Installation

**Non-Skid**  
silicone

**Aluminium**  
Design

### Package Contents:

- » 1 x Stand
- » 1 x Base
- » 4 x Silicone Pads
- » 1 x Screw Package

### Package Informations:

- » Packing Dimension: 290 x 160 x 30mm
- » Packing Weight: kg
- » Carton Dimension: mm
- » Carton Q'ty: pcs
- » Carton Weight: kg



Best Connectivity

! Please download the user manual online at: <http://www.2direct.de/media/other/M-AA0105.pdf>



**RoHS**  
compliant

\* The specifications and pictures are subject to change without notice.  
\* All trade names referenced are the registered namework of their respective owners.



AA0105



4 052792 046144

Made in China