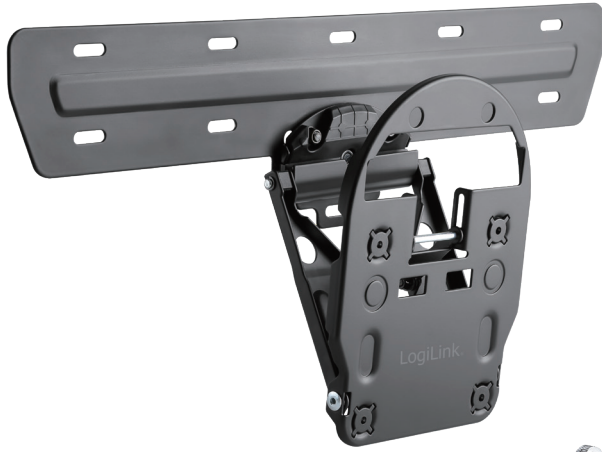


# LogiLink®

## Tilt TV Wall Mount

For 49"/55"/65" SAMSUNG® QLED TV

Art. No.: BP0081



Hang the TV onto the wall to gain more living space.



### Micro Gap Design

Gains more space and adds a modern look to your house.

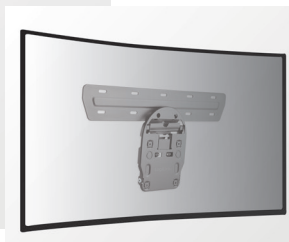


Detachable Panel.



### Toolless Tilting

Toolless tilting for the optimal viewing position.



Suit for Curved TV.



\* The specifications and pictures are subject to change without notice.  
\* All trade names referenced are the registered trademark of their respective owners.



BP0081



4 052792 055467

Made in China

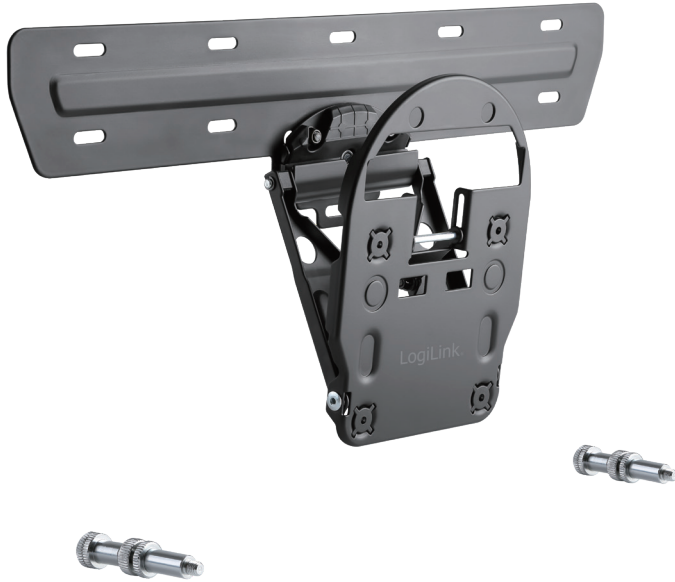
Best Connectivity

# LogiLink®

## Tilt TV Wall Mount

For 49"/55"/65" SAMSUNG® QLED TV

Art. No.: BP0081



### Various Positions for Profile Adjustment

Allow TV to be viewed comfortably.



Best Connectivity



\* The specifications and pictures are subject to change without notice.  
\* All trade names referenced are the registered namework of their respective owners.

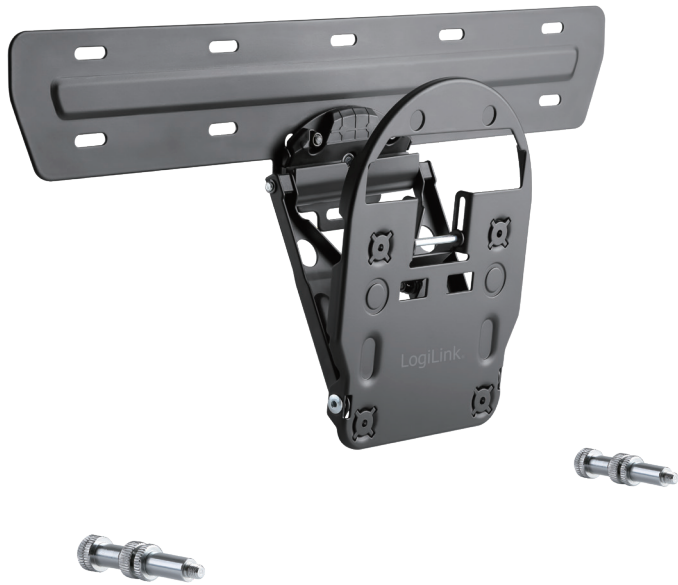


BP0081



4 052792 055467

Made in China



# LogiLink®

## Tilt TV Wall Mount

For 49"/55"/65" SAMSUNG® QLED TV

Art. No.: BP0081

### Specification:

Screen Size	49"/55"/65" SAMSUNG® QLED TV
Weight Capacity	50 kg
VESA	110x108 mm
Profile	17-92 mm
Screen Level	-3°/+3°
Material	Steel and plastic
Compatible SAMSUNG® QLED TV	<ul style="list-style-type: none"> <li>- Q7C (49"/55"/65")</li> <li>- Q7F (49"/55"/65")</li> <li>- Q7FN (55"/65")</li> <li>- Q7CN (55"/65")</li> <li>- Q8C (55"/65")</li> <li>- Q9F (65")</li> <li>- Q9FN (55"/65")</li> <li>- Q85R (55"/65")</li> <li>- Q90R (55"/65")</li> <li>- Q900R (55"/65")</li> <li>- Q950R (65")</li> <li>- Q900 (55"/65")</li> <li>- Q95T (55"/65")</li> </ul>
Color	Black
Product Size	17x520x278 mm



\* The specifications and pictures are subject to change without notice.  
 \*All trade names referenced are the registered namework of their respective owners.



BP0081



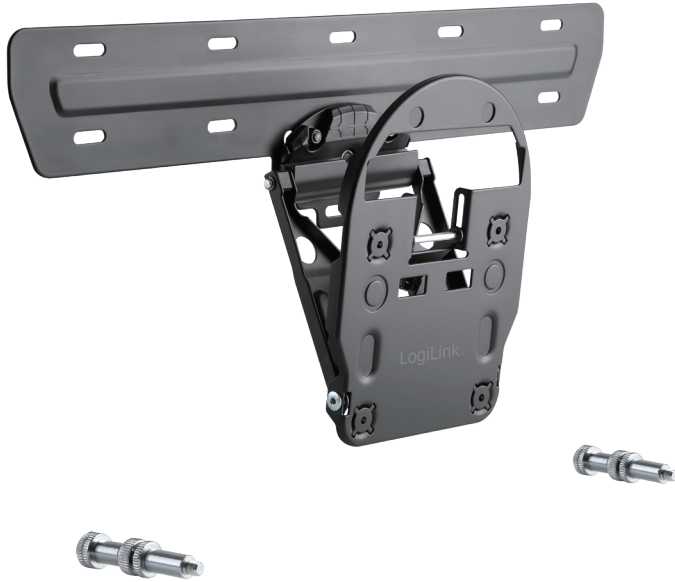
Made in China

# LogiLink®

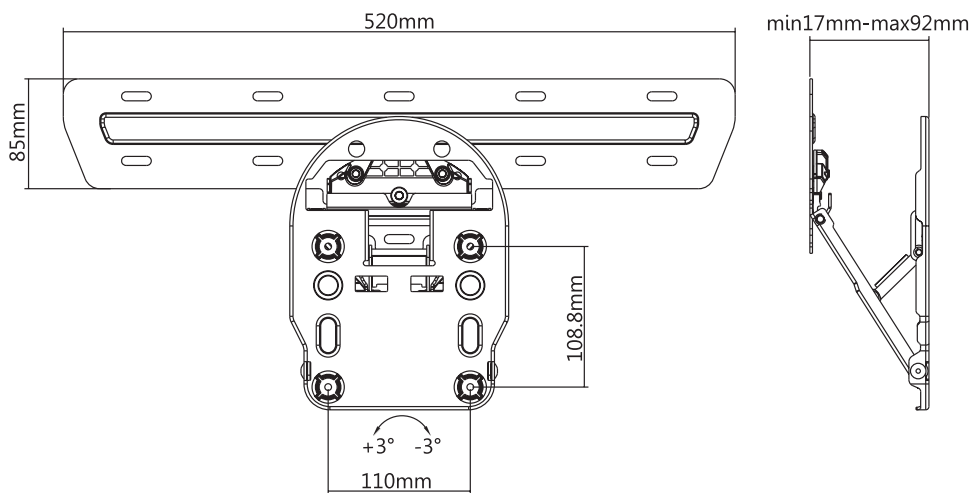
## Tilt TV Wall Mount

For 49"/55"/65" SAMSUNG® QLED TV

Art. No.: BP0081



### Technical Drawing:



### Package Content:

- » 1x TV Wall Mount
- » 1x Screw Package
- » 1x User Manual

### Package Information:

- » Packing Dimension: 565x205x60 mm
- » Packing Weight: 2.23 kg
- » Carton Dimension: 580x430x265 mm
- » Carton Q'ty: 8 pcs
- » Carton Weight: 19.3 kg



\* The specifications and pictures are subject to change without notice.  
\* All trade names referenced are the registered trademark of their respective owners.



BP0081



Made in China