

LogiLink®

Dual Monitor Desk Mount for Monitors and Laptops

For 13"-32" Monitors & 10"-15.6" Laptops

Art. No.: BP0137



Ergonomic Design for Home or Office

This combination of a monitor desk mount and laptop holder helps you free up your desk for more work space. Extend, tilt and swivel for the best viewing angles.



*The specifications and pictures are subject to change without prior notice.
*All trade names referenced are the registered trademarks of their respective owners.

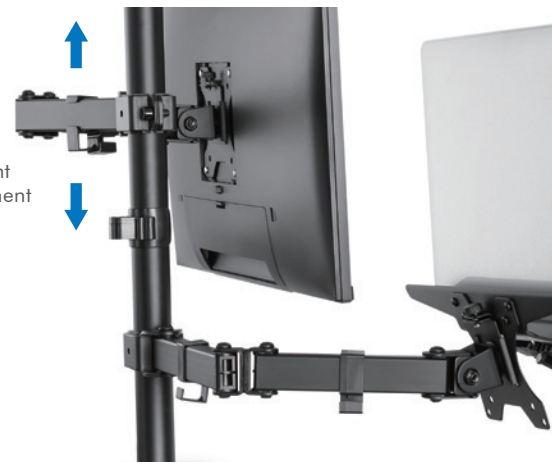
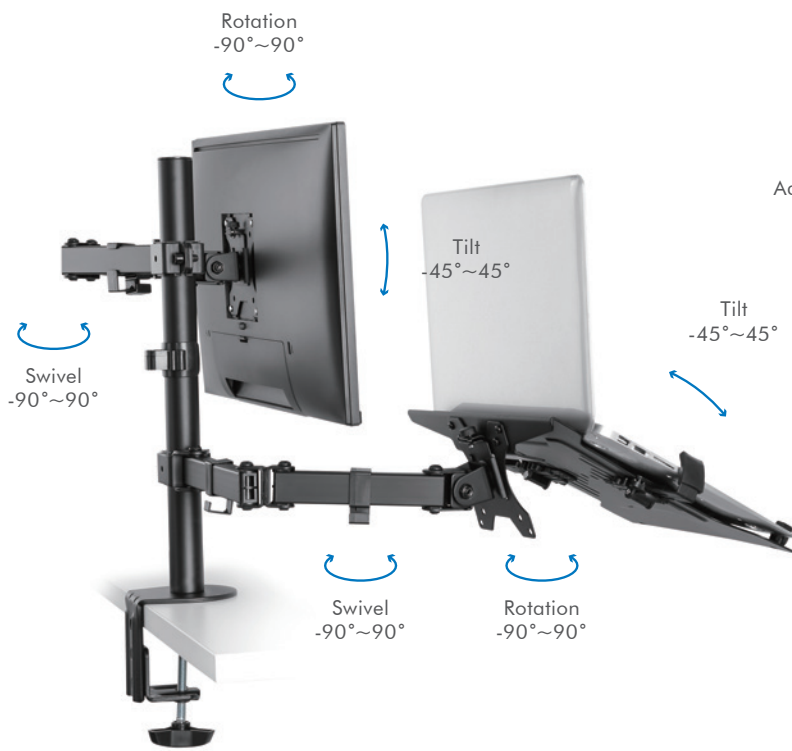


BP0137



4 052792 061352

Made in China



Create Your Ergonomic Workstation

Adjustable arm offers -45° to 45° tilt, 180° swivel, 360° rotation, and height adjustment. Great for elevating your work to a more comfortable position.

Free Up Your Work Space

Designed for space saving, clean up your workstation, so you can focus on what matters.



Cable Management



Hex Key Slot Design



Detachable VESA Plates



Quick & Easy Installation

Mounting your monitor is a simple process with detachable VESA plates; includes integrated cable management and hex key slot for storage.

Durable Construction

The high-quality steel mount with C-clamp and grommet mount ensures your laptop and monitor will be safe and secure.



C-Clamp



Grommet Mount



*The specifications and pictures are subject to change without prior notice.
*All trade names referenced are the registered trademarks of their respective owners.

LogiLink®

Dual Monitor Desk Mount for Monitors and Laptops

For 13"-32" Monitors & 10"-15.6" Laptops

Art. No.: BP0137



Specifications:

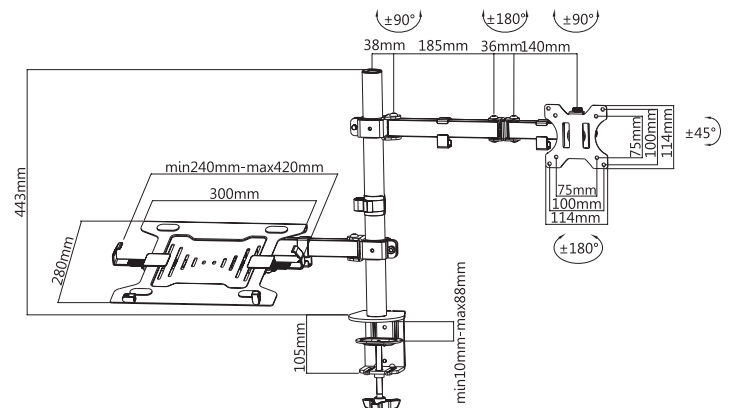
Screen Size	13"-32" monitors
Laptop Size	10"-15.6" laptops
Monitor Weight Capacity	8kg
Laptop Weight Capacity	4kg
VESA Plate Compatible	75x75mm, 100x100mm
Tilt	-45°~45°
Swivel	-90°~90°
Rotation	-180°~180°
Pole Height	44.3cm
Arm Extension	39.9cm
Clamp Thickness	Clamp: 1~8.8cm, Grommet: 1~7.5cm
Material	Steel
Color	Black
Dimensions	100.6 x 35.6 x 54.8cm

Package Contents:

- » 1 x Dual Monitor Desk Mount for Monitors and Laptops
- » 1 x Screw Package
- » 1 x User Manual

Package Information:

- » Packing Dimension: mm
- » Packing Weight: kg
- » Carton Dimension: mm
- » Carton Q'ty: pcs
- » Carton Weight: kg



BP0137



4 052792 061352

Made in China



*The specifications and pictures are subject to change without prior notice.
*All trade names referenced are the registered trademarks of their respective owners.