



LogiLink®

Speaker Wall Mount

For SONOS ONE™, ONE SL™ and
PLAY:1™

Art. No.: BP0119



MADE FOR SONOS

(SONOS ONE™, ONE SL™ And PLAY:1™)

Give your home a modern look with immersive audio by mounting SONOS speakers to the wall. Install the speaker wall mount around the house to enjoy great sound in any room.



*The specifications and pictures are subject to change without prior notice.
*All trade names referenced are the registered trademarks of their respective owners.





Easy Install & Full Motion

Quickly and securely mount your speaker on the wall for the ultimate listening experience. Tilt the speaker up or down, and swivel left or right to project your sound in the desired direction.



Tilt
-20°~0°



Swivel
-45°~45°



Rotation
360°

Sleek Modern Design

The simple, slim design of the mount makes for organized cable management, keeping your wall looking clutter-free.

Durable Construction (3kg Capacity)

Heavy duty steel construction provides load capacity that easily holds. Feel confident that they will be safe and secure.



*The specifications and pictures are subject to change without prior notice.
*All trade names referenced are the registered trademarks of their respective owners.



LogiLink®

Speaker Wall Mount

For SONOS ONE™, ONE SL™ and
PLAY:1™

Art. No.: BP0119



Specification:

Compatible Devices	Sonos One, Sonos One SL and Sonos Play:1
Weight Capacity	3kg
Wall Clearance	129mm
Tilt	-20°~0°
Swivel	-45°~45°
Rotation	-180°~180°
Material	Steel
Color	Black
Dimensions	166 x 129 x 72mm

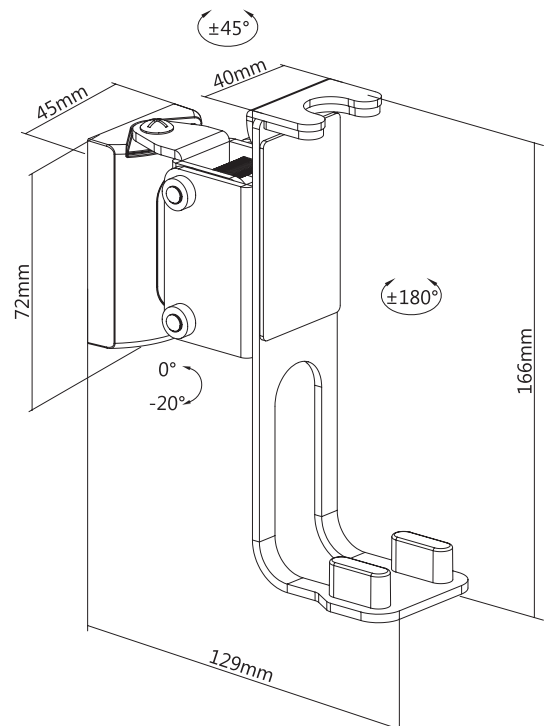


Package Contents:

- » 1 x Speaker Wall Mount
- » 1 x Screw Package
- » 1 x User Manual

Package Information:

- » Packing Dimension: mm
- » Packing Weight: kg
- » Carton Dimension: mm
- » Carton Q'ty: pcs
- » Carton Weight: kg



*The specifications and pictures are subject to change without prior notice.
*All trade names referenced are the registered trademarks of their respective owners.



Best Connectivity